

Dell PowerVault  
MD3600f and MD3620f  
Storage Arrays

# Getting Started With Your System

Začínáme se systémem

Guide de mise en route

Handbuch zum Einstieg mit dem System

Τα πρώτα βήματα με το σύστημά σας

Rozpoczęcie pracy z systemem

Начало работы с системой

Introducción al sistema

Sisteminizi Kullanmaya Başlarken

תחילת עבודה עם המערכת





Dell PowerVault  
MD3600f and MD3620f  
Storage Arrays

Getting Started  
With Your System



# Notes, Cautions, and Warnings



**NOTE:** A NOTE indicates important information that helps you make better use of your computer.



**CAUTION:** A CAUTION indicates potential damage to hardware or loss of data if instructions are not followed.



**WARNING:** A WARNING indicates a potential for property damage, personal injury, or death.

---

**Information in this publication is subject to change without notice.**

**© 2011 Dell Inc. All rights reserved.**

Reproduction of these materials in any manner whatsoever without the written permission of Dell Inc. is strictly forbidden.

Trademarks used in this text: Dell™, the DELL logo, and PowerVault™ are trademarks of Dell Inc. Microsoft® and Windows Server® are either trademarks or registered trademarks of Microsoft Corporation in the United States and/or other countries. Red Hat® and Red Hat Enterprise Linux® are registered trademarks of Red Hat, Inc. in the United States and other countries. SUSE® is a registered trademark of Novell, Inc. in the United States and other countries. VMware® is a registered trademark of VMware, Inc. in the United States and/or other jurisdictions.

Other trademarks and trade names may be used in this publication to refer to either the entities claiming the marks and names or their products. Dell Inc. disclaims any proprietary interest in trademarks and trade names other than its own.

**Regulatory Model Series E03J and E04J**

**2011 - 08      P/N NKX4V      Rev. A02**

## Before You Begin



**NOTE:** Throughout the document, Dell PowerVault MD3600f series storage array refers to both Dell PowerVault MD3600f and Dell PowerVault MD3620f. Dell PowerVault MD1200 series expansion enclosure refers to both Dell PowerVault MD1200 and Dell PowerVault MD1220.

Before setting up your PowerVault MD3600f series storage array, you must consider certain best practices to ensure that your storage array operates at maximum efficiency and offers full redundancy (if required).

- To enable redundancy, two Fibre Channel (FC) host bus adapters (HBA) must be connected from the host system to the storage array. If redundancy is not required, only one FC HBA is connected to the storage array. See the *Support Matrix* for a list of supported HBAs and *Configuring Fibre Channel With the Dell MD3600f Series Storage Array* for information about installing HBA drivers. You can download both documents from [support.dell.com/manuals](http://support.dell.com/manuals).
- Before connecting any cables between the host server and storage array, physically label each port and connector.
- Always follow proper power-up and power-down procedures when cycling power across the network. You must also ensure that critical network components are on separate power circuits.

## Working With SFP Modules and Fiber Optic Cables



**NOTE:** SFP+ modules are supported for 8 GB Fibre Channel connections. This document refers to SFP generically.

Each storage controller can have up to four FC host ports. A small-form-factor pluggable (SFP) module is used to connect a host port to a host or switch. The SFP module is inserted into the port, and then a fiber optic cable is inserted into the SFP module. The other end of the fiber optic cable is connected to an optical interface connector either in a FC HBA on a host or a switch. SFP modules are laser products.



**WARNING:** Data processing environments can contain equipment transmitting on system links with laser modules that operate at greater than Class 1 power levels. Never look into the end of an optical fiber cable or open receptacle.

## Guidelines for Using Fiber Optic Cables

- Do not route the cable along a folding cable management arm.
- For devices on slide rails, leave enough slack in the cables so they do not bend to a diameter of less than 76 mm (3"), or a radius less than 38 mm (1.5"), when extended or become pinched when retracted.
- Route the cable away from places where it can be damaged by other devices in the rack cabinet.
- Do not use plastic cable ties in place of the provided cable straps.
- Do not over-tighten the cable straps or bend the cables to a diameter of less than 76 mm (3") or a radius less than 38 mm (1.5").
- Do not place excess weight on the cable at the connection point. Ensure that the cable is well supported.

## Guidelines for Using SFP Modules

The storage array requires SFP modules. SFP modules convert electrical signals to optical signals that are required for FC transmission to and from RAID controller modules. After installing the SFP modules, fiber optic cables are used to connect the storage array to other FC devices. Before installing SFP modules and fiber optic cables, read the following information:

- Use only Dell supported SFPs with the PowerVault MD3600f series storage arrays. Other generic SFPs are not supported and may not work with the storage arrays.
- The SFP module housing has an integral guide key that is designed to prevent you from inserting the SFP module incorrectly.
- Use minimal pressure when inserting an SFP module into a FC port. Forcing the SFP module into a port may damage the SFP module or the port.
- You can install or remove the SFP module while the port is powered on.
- You must install the SFP module into a port before you connect the fiber optic cable.
- You must remove the fiber optic cable from the SFP module before you remove the SFP module from the port.



**CAUTION: When handling static-sensitive devices, take precautions to avoid damaging the product from static electricity.**

## Other Documentation and Media You May Need



**WARNING:** See the safety and regulatory information that shipped with your system. Warranty information may be included within this document or as a separate document.



**NOTE:** All PowerVault MD3600f series documents are available at [support.dell.com/manuals](http://support.dell.com/manuals).

- The rack documentation included with your rack solution describes how to install your system into a rack.
- The *Owner's Manual* provides information about system features and describes how to troubleshoot the system and install or replace system components.
- The *Deployment Guide* provides information about installing and configuring the software and hardware.
- The *CLI Guide* provides information about using the command line interface (CLI) to configure and manage your storage array.
- The *SMI-S Programmer's Guide* provides information about using the SMI-S provider and SMI-S programming.
- Any media that ships with your system that provides documentation and tools for configuring and managing your system, including those pertaining to the operating system, system management software, system updates, and system components that you purchased with your system.



**NOTE:** Always check for updates on [support.dell.com/manuals](http://support.dell.com/manuals) and read the updates first because they often supersede information in other documents.

## Supported Operating Systems

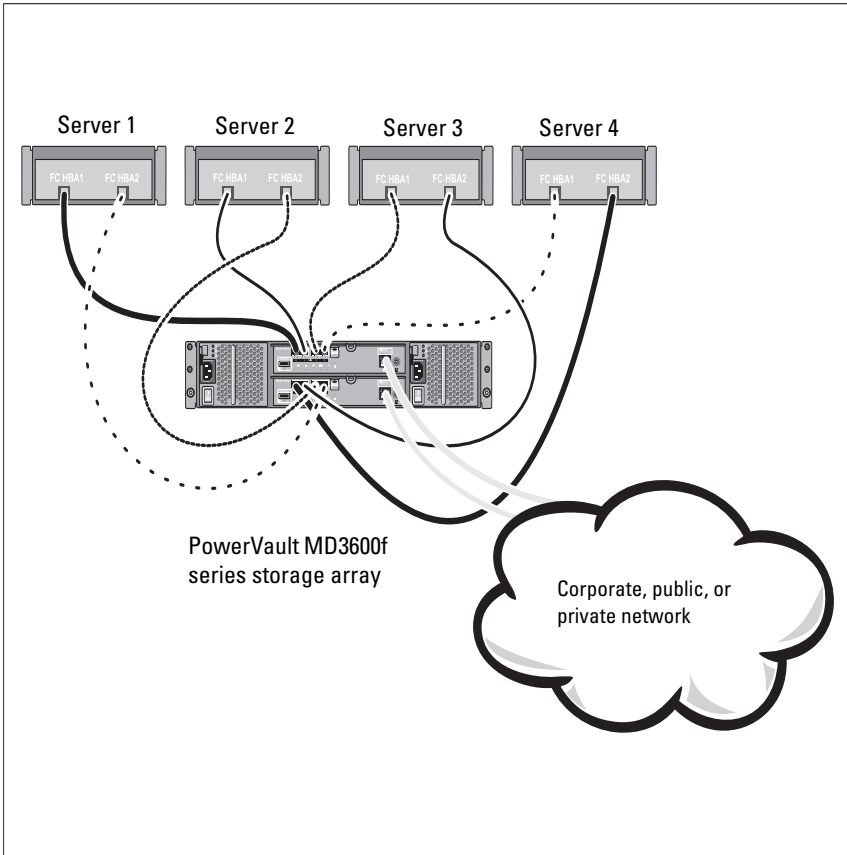
- Microsoft Windows Server
- Red Hat Enterprise Linux
- SUSE Linux Enterprise Server
- VMware



**NOTE:** For the latest information on all the supported operating system versions, see the *Support Matrix* at [support.dell.com/manuals](http://support.dell.com/manuals).

# Common Configurations

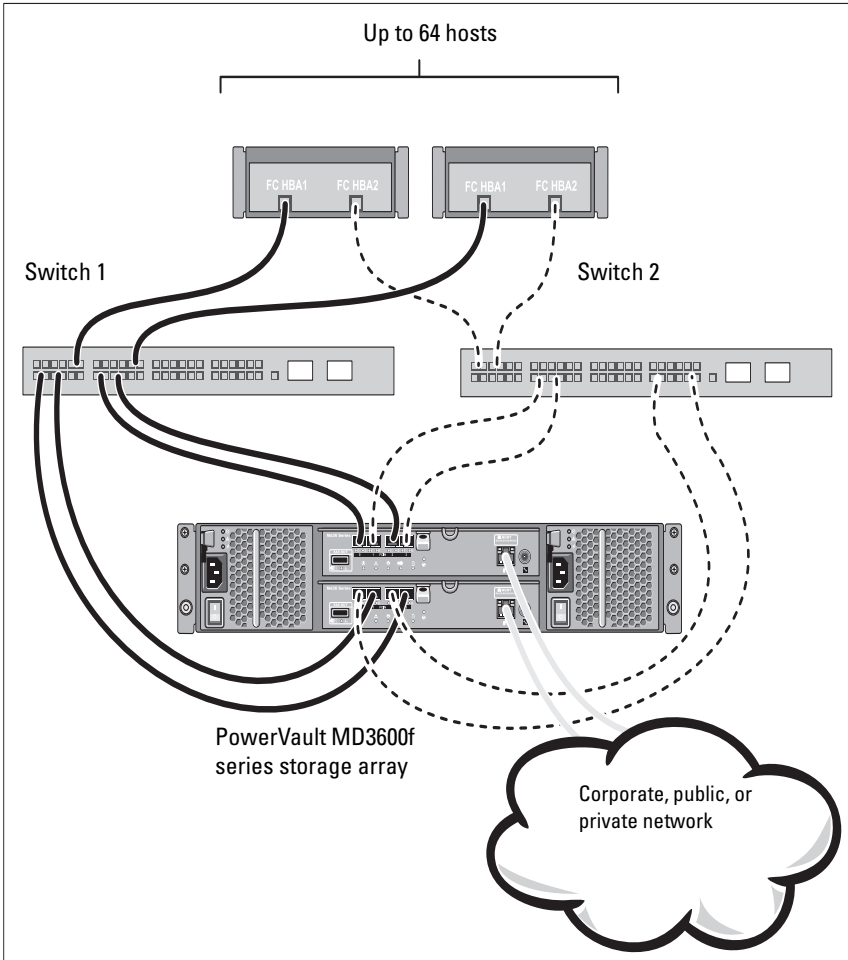
## Cabling Your Direct-Attached Hosts






## Cabling Your SAN-Attached Hosts

The illustration below represents a redundant system. For example, a system used in a remote replication environment.



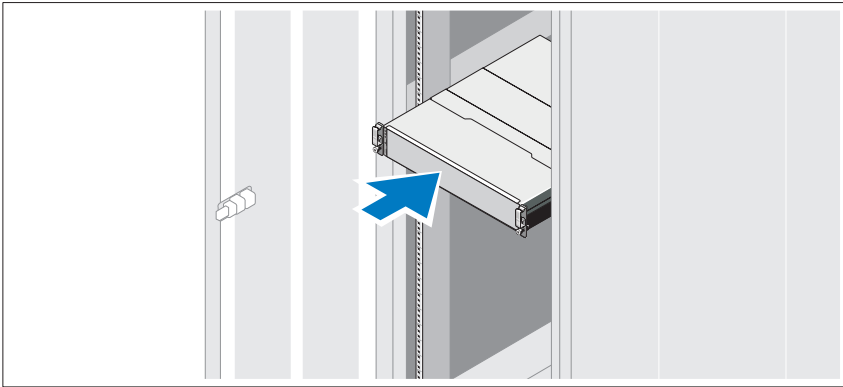
# Installation and Configuration

 **WARNING:** Before performing the following procedure, review the safety instructions that came with the system.


## Unpacking the System

Unpack your system and identify each item with the packing list that shipped with your system.

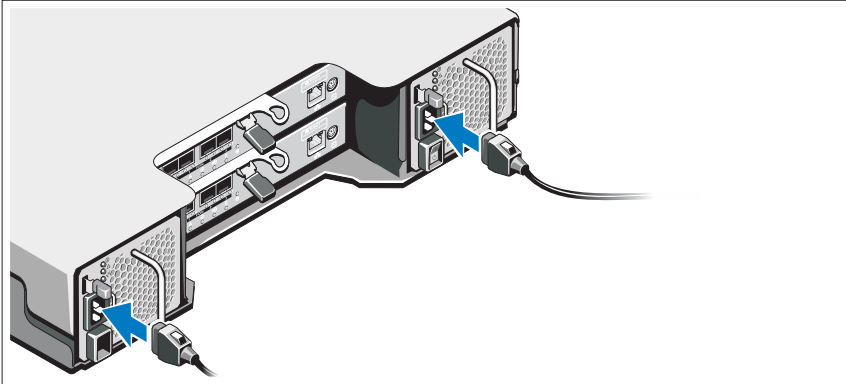
## Installing the Rails and System in a Rack



Assemble the rails and install the system in the rack following the safety instructions and the rack installation instructions provided with your system.

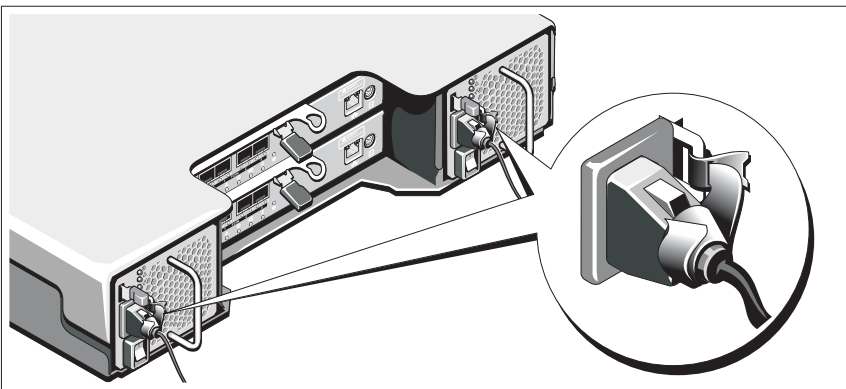
 **NOTE:** To balance the weight load, it is recommended that you install the PowerVault MD3600f series storage array at the bottom of the rack and the PowerVault MD1200 series expansion enclosures above it.

## Connecting the Power Cable(s)



Ensure that the power switch is in the OFF position before connecting the power cables. Connect the system's power cable(s) to the system.

## Securing the Power Cable(s)



Secure the cable(s) firmly to the bracket using the provided strap. Plug the other end of the power cables into a grounded electrical outlet or a separate power source such as an uninterruptible power supply (UPS) or a power distribution unit (PDU). Each power supply must be connected to a separate power circuit.

## Installing and Removing SFP Modules

To install SFP modules:

- 1 If all the FC IN ports have an SFP module installed, go to step 5.
- 2 Remove the SFP module from the static protective package.
- 3 Remove the protective cap from the SFP module and SFP port. Store the protective caps for future use.
- 4 Insert the SFP module into the host port until it clicks into place.
- 5 Connect an FC cable. See "Installing and Removing Fibre Channel Cables" on page 10.

To remove SFP modules:

- 1 Remove the FC cable from the SFP module. See "Installing and Removing Fibre Channel Cables" on page 10.



**NOTE:** To avoid damaging the cable or the SFP module, disconnect the FC cable before removing the SFP module.

- 2 Unlock the SFP module latch. For SFP modules that contain wire tabs, unlock the SFP module latch by pulling the wire latch outward 90°.
- 3 With the SFP module latch in the unlocked position, remove the SFP module. For SFP modules that contain wire tabs, grasp the wire latch and pull the SFP module out of the port.
- 4 Replace the protective cap on the SFP module and the host port.
- 5 Place the SFP module into a static-protective package.

## Installing and Removing Fibre Channel Cables



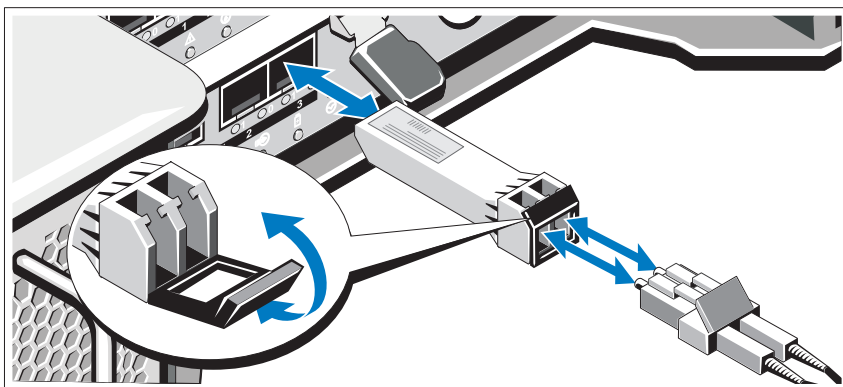
**WARNING:** Data processing environments can contain equipment transmitting on system links with laser modules that operate at greater than Class 1 power levels. Never look into the end of an optical fiber cable or open receptacle.

Before installing an FC cable, see "Guidelines for Using Fiber Optic Cables" on page 4.

To install an FC cable:

- 1 If applicable, remove the protective cap from the SFP module and store the protective cap for future use.
- 2 Remove the two protective caps from one end of the cable and store them for future use.

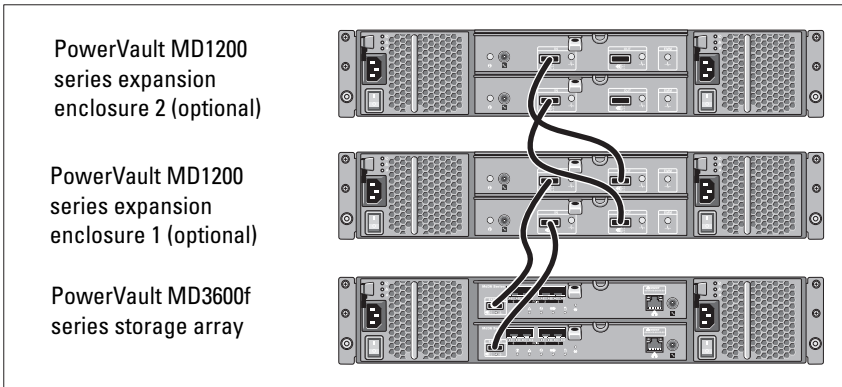
- 3** Insert the cable into an SFP module that is installed in the storage array. The cable connector is keyed for correct installation. Holding the connector, push in the cable until it clicks into place.
- 4** Remove the two protective caps from the other end of the cable and store them for future use.
- 5** Connect this end of the cable to one of the following devices:
  - An SFP module that is installed in an FC switch port
  - A FC HBA port



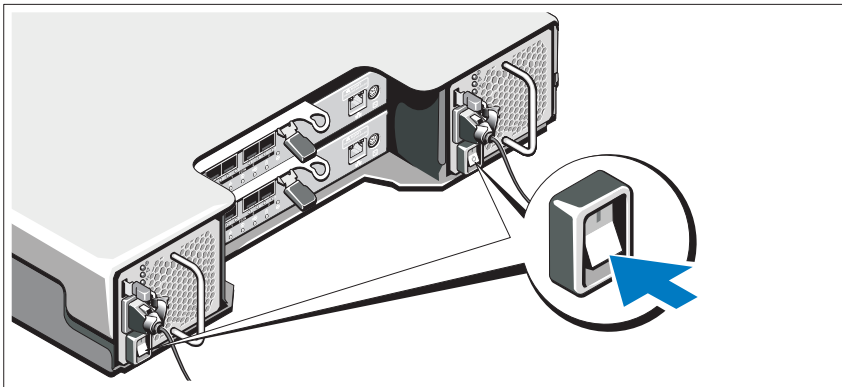
To remove an FC cable:

- 1** Press and hold the lever to release the latches before removing the cable from the SFP module. Ensure that the levers are in the released position when removing the cable. Do not grasp the SFP module plastic tab when removing the cable.
- 2** On the end of the cable that connects into the SFP module or HBA, press down and hold the lever to release the latches.
- 3** While pressing down the cable lever, pull the connector to remove the cable from the SFP module.
- 4** Replace the protective caps on the cable ends.
- 5** Replace the protective cap on the SFP module.

## Cabling Your Expansion Enclosure




## Turning On the Storage Array




Turn on the components in the following order:

- 1 FC switches (if used)
- 2 MD1200 series expansion enclosures (if used)

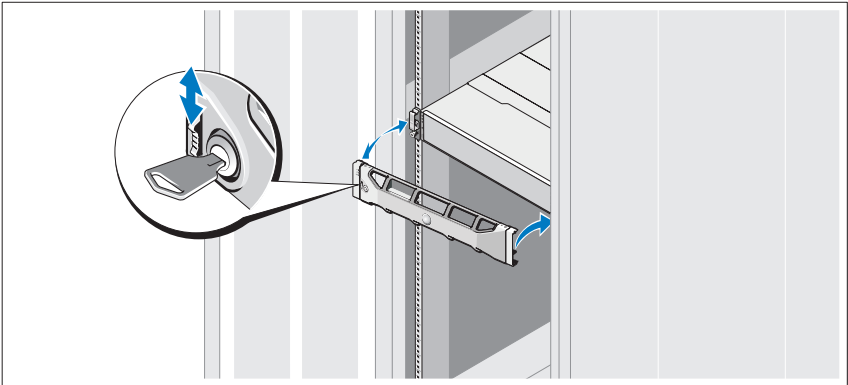
 **NOTE:** Before turning on the storage array, ensure that the expansion enclosure status LED is blue.

### 3 MD3600f series storage array

 **NOTE:** Before turning on the host server(s), ensure that the storage array status LED is blue.


### 4 Host server(s)

## Installing the Bezel




Install the bezel (optional).

## Installing HBAs and Drivers

 **NOTE:** Ensure that you read the *Configuring Fibre Channel With the Dell MD3600f Series Storage Array* document before continuing with this procedure. For detailed instructions about installing the MD storage software, setting up the enclosure, and the post-installation tasks, see the *Deployment Guide*.

- 1 Physically install the HBAs.
- 2 Connect the cables.
- 3 Install the HBA drivers and the operating system HBA patches/hotfixes.
- 4 Ensure that the recommended HBA settings are applied.


## Installing the MD Storage Software

 **NOTE:** For detailed instructions about installing the MD storage software, setting up the enclosure, and the post-installation tasks, see the *Deployment Guide*.


The MD Storage Manager application configures, manages, and monitors the storage array. To install the MD storage software:

- 1 Insert the MD series resource media.

Depending on your operating system, the installer may launch automatically. If the installer does not launch automatically, navigate to the root directory of the installation media (or downloaded installer image) and run the `md_launcher.exe` file. For Linux-based systems, navigate to the root of the resource media and run the `autorun` file.

 **NOTE:** By default, the Red Hat Enterprise Linux operating system mounts the resource media with the `-noexec` mount option which does not allow you to run executable files. To change this setting, see the **Readme** file in the root directory of the installation media.


- 2 Select **Install MD Storage Software**.
- 3 Read and accept the license agreement.
- 4 Select one of the following installation options from the **Install Set** drop-down menu:
  - **Full (recommended)**—Installs the MD Storage Manager (client) software, host-based storage agent, multipath driver, and hardware providers.
  - **Host Only**—Installs the host-based storage agent and multipath drivers.
  - **Management**—Installs the management software and hardware providers.
  - **Custom**—Allows you to select specific components.
- 5 Select the MD storage array model(s) you are setting up to serve as data storage for this host server.
- 6 Choose whether to start the event monitor service automatically when the host server reboots or manually.

 **NOTE:** This option is applicable only to Windows client software installation.
- 7 Confirm the installation location and click **Install**.




8 If prompted, reboot the host server once the installation completes.

9 Start the **MD Storage Manager** and discover the array(s).

 **NOTE:** If Dynamic Host Configuration Protocol (DHCP) is not used on the network where the MD storage array's management ports are connected, it is recommended that you enable IPv6 on the management station to discover the storage array(s).

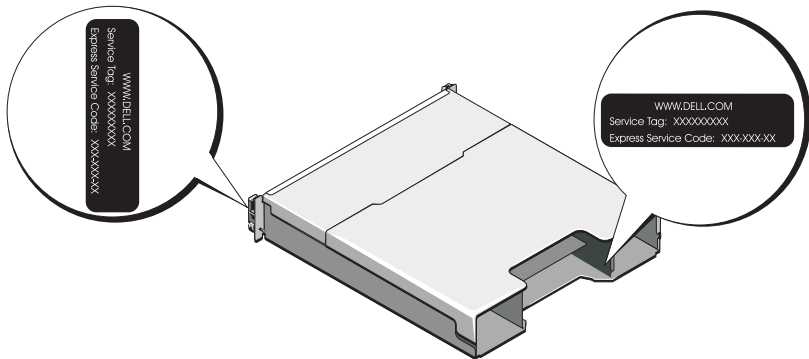
10 Configure single initiator and multiple target zoning on your Fibre Channel switches. For information about zoning, see the *Deployment Guide*.

11 If applicable, activate any premium features purchased with your storage array. If you purchased premium features, see the printed activation card shipped with your storage array.

 **NOTE:** The **MD Storage Manager** installer automatically installs the required drivers, firmware, and operating system patches/hotfixes to operate your storage array. These drivers and firmware are also available at [support.dell.com](http://support.dell.com). In addition, see the *Support Matrix* at [support.dell.com/manuals](http://support.dell.com/manuals) for any additional settings and/or software required for your specific storage array.

## Locating Your Service Tag

Your system is identified by a unique Express Service Code and Service Tag number. The Express Service Code and Service Tag are found on the front of the system and at the back of the system next to the RAID controller modules. This information is used by Dell to route support calls to the appropriate personnel.



## NOM Information (Mexico Only)

The following information is provided on the device described in this document in compliance with the requirements of the official Mexican standards (NOM):

|                      |                                                                                                                   |
|----------------------|-------------------------------------------------------------------------------------------------------------------|
| Importer:            | Dell Inc. de México, S.A. de C.V.<br>Paseo de la Reforma 2620 -11º Piso<br>Col. Lomas Altas<br>11950 México, D.F. |
| Model number:        | E03J and E04J                                                                                                     |
| Supply voltage:      | 100–240 V CA                                                                                                      |
| Frequency:           | 50/60 Hz                                                                                                          |
| Current consumption: | 8.6 A                                                                                                             |

## Technical Specifications

---

### Drives

---

|                    |                                                                              |
|--------------------|------------------------------------------------------------------------------|
| PowerVault MD3600f | Up to twelve 3.5" SAS hot-swappable hard drives (3.0 Gbps and 6.0 Gbps)      |
| PowerVault MD3620f | Up to twenty four 2.5" SAS hot-swappable hard drives (3.0 Gbps and 6.0 Gbps) |

---

### RAID Controller Modules

---

|                         |                                                                                                                                                    |
|-------------------------|----------------------------------------------------------------------------------------------------------------------------------------------------|
| RAID controller modules | <ul style="list-style-type: none"><li>• One or two hot-swappable modules with temperature sensors</li><li>• 2 GB of cache per controller</li></ul> |
|-------------------------|----------------------------------------------------------------------------------------------------------------------------------------------------|

---

### Back-Panel Connectors (Per RAID Controller Module)

---

|                  |                                                                                                                                      |
|------------------|--------------------------------------------------------------------------------------------------------------------------------------|
| FC connectors    | Four FC IN ports to connect hosts                                                                                                    |
| SAS connector    | One SAS OUT port for expansion to an additional PowerVault MD12xx enclosure<br><b>NOTE:</b> The SAS connector is SFF-8088 compliant. |
| Serial connector | One 6-pin mini-DIN connector<br><b>NOTE:</b> For technical support use only.                                                         |

---

**Back-Panel Connectors (Per RAID Controller Module) (continued)**

---

|                               |                                                                                                                                                                                                                                                                                                                                                                                                                                                                                                                                                                   |
|-------------------------------|-------------------------------------------------------------------------------------------------------------------------------------------------------------------------------------------------------------------------------------------------------------------------------------------------------------------------------------------------------------------------------------------------------------------------------------------------------------------------------------------------------------------------------------------------------------------|
| Management Ethernet connector | <p>One 100/1000 Base-T port Ethernet for out-of-band management of the enclosure</p> <p><b>NOTE:</b> The default management port IP addresses for the primary and secondary RAID controller modules are 192.168.128.101 and 192.168.128.102, respectively. By default, the management ports are set to DHCP. If the controller is unable to get an IP address configuration from a DHCP server within a specified time out period (approximately 3 minutes), it defaults back to static IP addressing. For more information, see the <i>Deployment Guide</i>.</p> |
|-------------------------------|-------------------------------------------------------------------------------------------------------------------------------------------------------------------------------------------------------------------------------------------------------------------------------------------------------------------------------------------------------------------------------------------------------------------------------------------------------------------------------------------------------------------------------------------------------------------|

---

**Expansion**

---

|                          |                                                                                                                                                                                                                                                                                                                                                                                        |
|--------------------------|----------------------------------------------------------------------------------------------------------------------------------------------------------------------------------------------------------------------------------------------------------------------------------------------------------------------------------------------------------------------------------------|
| PowerVault MD1200 series | <p>Supports a maximum of 192 hard drives with any combination of PowerVault MD1200 or PowerVault MD1220 expansion enclosures. Support for 192 hard drives is a Premium Feature and requires activation. The maximum number of hard drives supported without using the Premium Feature is 120.</p> <p>Redundant path connectivity provides redundant data paths to each hard drive.</p> |
|--------------------------|----------------------------------------------------------------------------------------------------------------------------------------------------------------------------------------------------------------------------------------------------------------------------------------------------------------------------------------------------------------------------------------|

---

**Backplane Board**

---

|            |                                                                                                                                                                                                                                                                                             |
|------------|---------------------------------------------------------------------------------------------------------------------------------------------------------------------------------------------------------------------------------------------------------------------------------------------|
| Connectors | <ul style="list-style-type: none"><li>• 12 or 24 SAS hard-drive connectors</li><li>• Two power supply/cooling fan module connectors</li><li>• Two sets of RAID controller module connectors</li><li>• One control panel connector for front LEDs and system identification button</li></ul> |
| Sensors    | Two temperature sensors                                                                                                                                                                                                                                                                     |

---

## LED Indicators

---

|                          |                                                                                                                                                                                                                                                                                                                                                                                                                                               |
|--------------------------|-----------------------------------------------------------------------------------------------------------------------------------------------------------------------------------------------------------------------------------------------------------------------------------------------------------------------------------------------------------------------------------------------------------------------------------------------|
| Front panel              | <ul style="list-style-type: none"><li>• One two-color LED indicator for system status</li><li>• Two single-color LED indicators for power and enclosure mode</li></ul> <p><b>NOTE:</b> The enclosure mode LED is not applicable to the PowerVault MD3600f series storage array.</p>                                                                                                                                                           |
| Hard-drive carrier       | <ul style="list-style-type: none"><li>• One single-color activity LED</li><li>• One two-color LED status indicator per drive</li></ul>                                                                                                                                                                                                                                                                                                        |
| Power supply/cooling fan | Three LED status indicators for power supply status, power supply/fan fault, and AC status                                                                                                                                                                                                                                                                                                                                                    |
| RAID controller module   | 14 single-color LEDs: <ul style="list-style-type: none"><li>• One battery fault</li><li>• One cache active</li><li>• One controller fault</li><li>• One controller power</li><li>• One system identification</li><li>• One management Ethernet activity</li><li>• Eight FC link or fault</li></ul> 2 two-color LEDs: <ul style="list-style-type: none"><li>• One SAS OUT link or fault</li><li>• One management Ethernet link speed</li></ul> |

---

## Switch

---

|                              |                                                                                                                   |
|------------------------------|-------------------------------------------------------------------------------------------------------------------|
| System identification button | Located on the front control panel. This button is used to locate a system within a rack.                         |
| Enclosure mode switch        | Located on the front of the system. This switch is not applicable to the PowerVault MD3600f series storage array. |
| Password reset switch        | Located on the back-panel of the RAID controller module. This switch is used to reset the storage array password. |

---

**Power Supplies**

---

## AC power supply (per power supply)

|                        |                                                                                                                                                                      |
|------------------------|----------------------------------------------------------------------------------------------------------------------------------------------------------------------|
| Wattage                | 600 W                                                                                                                                                                |
| Voltage                | 100–240 VAC (8.6 A–4.3 A)                                                                                                                                            |
| Heat dissipation       | 100 W                                                                                                                                                                |
| Maximum inrush current | Under typical line conditions and over the entire system ambient operating range, the inrush current may reach a maximum of 55 A per power supply for 10 ms or less. |

---

**Available Hard Drive Power (Per Slot)**

---

|                    |      |
|--------------------|------|
| PowerVault MD3600f | 25 W |
| PowerVault MD3620f | 12 W |

---

**RAID Controller Module Power (Per Slot)**

---

|                           |       |
|---------------------------|-------|
| Maximum power consumption | 100 W |
|---------------------------|-------|

---

**Physical**

---

## PowerVault MD3600f

|                                |                    |
|--------------------------------|--------------------|
| Height                         | 8.68 cm (3.41")    |
| Width                          | 44.63 cm (17.57")  |
| Depth                          | 60.20 cm (23.70")  |
| Weight (maximum configuration) | 29.30 kg (64.6 lb) |
| Weight (empty)                 | 8.84 kg (19.5 lb)  |

## PowerVault MD3620f

|                                |                    |
|--------------------------------|--------------------|
| Height                         | 8.68 cm (3.41")    |
| Width                          | 44.63 cm (17.57")  |
| Depth                          | 54.90 cm (21.61")  |
| Weight (maximum configuration) | 24.22 kg (53.4 lb) |
| Weight (empty)                 | 8.61 kg (19 lb)    |

---

## Environmental

---

**NOTE:** For additional information about environmental measurements for specific system configurations, see [www.dell.com/environmental\\_datasheets](http://www.dell.com/environmental_datasheets).

### Temperature

Operating 10 °C to 35 °C (50 °F to 95 °F) with a maximum temperature gradation of 10 °C per hour

**NOTE:** For altitudes above 2950 feet, the maximum operating temperature is derated 1°F/550 ft.

Storage -40° to 65°C (-40° to 149°F) with a maximum temperature gradation of 20°C per hour

### Relative humidity

Operating 20% to 80% (noncondensing) with a maximum humidity gradation of 10% per hour

Storage 5% to 95% (noncondensing)

### Maximum vibration

Operating 0.25 G at 3–200 Hz for 15 min

Storage 0.5 G at 3–200 Hz for 15 min

### Maximum shock

Operating One shock pulse in the positive z axis (one pulse on each side of the system) of 31 G for 2.6 ms in the operational orientation

Storage Six consecutively executed shock pulses in the positive and negative x, y, and z axes (one pulse on each side of the system) of 71 G for up to 2 ms

### Altitude

Operating -16 to 3048 m (-50 to 10,000 ft)

**NOTE:** For altitudes above 2950 feet, the maximum operating temperature is derated 1°F/550 ft.

Storage -16 to 10,600 m (-50 to 35,000 ft)

### Airborne Contaminant Level

Class G1 as defined by ISA-S71.04-1985

# Disková pole Dell PowerVault MD3600f a MD3620f

## Začínáme se systémem

Číslo modelu série: E03J a E04J



# Poznámky a upozornění



**POZNÁMKA:** POZNÁMKA označuje důležité informace, které pomáhají k lepšímu využití počítače.



**UPOZORNĚNÍ: VÝSTRAHA** poukazuje na možnost poškození hardwaru nebo ztráty dat v případě nedodržení pokynů.



**VAROVÁNÍ: VAROVÁNÍ** upozorňuje na potenciální nebezpečí poškození majetku, úrazu nebo smrti.

---

**Informace v této publikaci se mohou bez předchozího upozornění změnit.**

**© 2011 Dell Inc. Všechna práva vyhrazena.**

Jakákoli reprodukce těchto materiálů bez písemného povolení společnosti Dell Inc. je přísně zakázána.

Ochranné známky použité v tomto textu: Dell™, logo DELL a PowerVault™ jsou ochranné známky společnosti Dell Inc. Microsoft® a Windows Server® jsou buď ochranné známky, nebo registrované ochranné známky společnosti Microsoft Corporation ve Spojených státech anebo v jiných zemích. Red Hat® a Red Hat Enterprise Linux® jsou registrované ochranné známky společnosti Red Hat, Inc. v USA a v dalších zemích. SUSE® je registrovaná ochranná známka společnosti Novell, Inc. v USA a dalších zemích. VMware® je registrovaná ochranná známka společnosti VMware, Inc. v USA a/ nebo v dalších zemích.

Ostatní ochranné známky a obchodní názvy mohou být v této publikaci použity v souvislosti s právními subjekty, které si na tyto ochranné známky a názvy svých produktů činí nárok. Společnost Dell Inc. se zříká všech vlastnických nároků na ochranné známky a obchodní názvy jiné než vlastní.

Číslo modelu série: E03J a E04J

2011 - 08

Č. dílu NKX4V

Rev. A02



## Než začnete



**POZNÁMKA:** V tomto dokumentu označuje název diskové pole série Dell PowerVault MD3600f jak Dell PowerVault MD3600f, tak i Dell PowerVault MD3620f. Název rozšiřující skříň série Dell PowerVault MD1200 se vztahuje jak k Dell PowerVault MD1200, tak k Dell PowerVault MD1220.

Než začnete s instalací diskového pole Dell PowerVault MD3600f, vezměte v úvahu osvědčené metody, s jejichž pomocí zajistíte, aby diskové pole pracovalo s maximální účinností a nabízelo plnou redundanci (pokud je třeba).

- Chcete-li umožnit redundanci, je třeba mezi hostitelským systémem a diskovým polem zajistit připojení dvěma sběrnicemi HBA typu Fibre Channel (FC). Pokud redundance není třeba, je k diskovému poli připojena pouze jedna sběrnice FC HBA. Seznam podporovaných sběrnic HBA naleznete v *matici odborné pomoci*. V *příručce o konfiguraci Fibre Channel s diskovým polem série Dell MD3600f* naleznete informace o instalaci ovladačů HBA. Oba dokumenty si můžete stáhnout ze stránek [support.dell.com/manuals](http://support.dell.com/manuals).
- Než mezi hostitelským serverem a diskovým polem připojíte jakékoli kabely, označte každý port a konektor.
- Pokud jsou sesíťované systémy pod napětím, vždy dodržujte správné postupy při zapínání a vypínání systémů. Musíte též zajistit, aby důležité síťové komponenty měly oddělené hlavní obvody.

## Práce s moduly SFP a optickými kabely



**POZNÁMKA:** Moduly SFP+ jsou podporovány u 8GB připojení typu Fibre Channel. Tento dokument se moduly SFP zabývá jen obecně.

Každý řadič úložišť může obsahovat až čtyři hostitelské porty FC. Malý zapojitelný modul SFP slouží k připojení hostitelského portu k hostitelskému systému nebo k přepínači. Modul SFP se vkládá do portu, a poté se k modulu SFP připojí optický kabel. Opačný konec optického kabelu se připojí ke konektoru optického rozhraní buďna FC HBA na hostitelském systému, nebo na přepínači. Moduly SFP patří mezi laserové výrobky.



**VAROVÁNÍ:** Prostředí zpracování dat může obsahovat vybavení využívající přenos na spojích systému s laserovými moduly, které pracují na vyšších úrovních, než je Třída 1. Nikdy se nedívejte do konce optického kabelu nebo do otevřené zásuvky.

## Pokyny k používání optických kabelů

- Neved'te kabely podél sklápěcího ramene pro správu kabelů.
- U zařízení na vysouvacích kolejnicích je třeba ponechat kabely dostatečně volné, aby se při natažení neohýbaly na průměr menší, než je 76 mm (3") nebo na poloměr menší než 38 mm (1,5"). Při zatažení by se kabely neměly skřípnout.
- Ved'te kabely mimo místa, kde by je mohla poškodit jiná zařízení ve stojanu.
- Nepoužívejte na vázání kabelů plastová poutka místo dodaných řemínků.
- Neutahujte řemínky přespříliš ani kabely neohýbejte na průměr menší než 76 mm (3") nebo na poloměr menší než 38 mm (1,5").
- Nezatěžujte kabely u bodů připojení těžkými předměty. Ujistěte se, že jsou kabely dobře podloženy.

## Pokyny pro používání modulů SFP


Diskové pole vyžaduje moduly SFP. Moduly SFP převádějí elektrické signály na optické signály, které jsou třeba pro přenosy FC z/do řadiče diskových polí RAID. Po instalaci modulů SFP slouží optické kabely k připojení diskových polí k jiným zařízením FC. Před instalací modulů SFP a optických kabelů si přečtěte následující informace:


- S diskovými poli série PowerVault MD3600f používejte pouze SFP podporované společností Dell. Jiné generické SFP nejsou podporovány a nemusí s diskovými poli fungovat.
- Kryt modulu SFP obsahuje neoddělitelná vodítka, která vám mají zabránit vložit modul SFP nesprávně.
- Při vkládání modulu SFP do portu FC nevyvíjejte přílišnou sílu. Pokud modul SFP do portu zarazíte silou, můžete tento modul SFP nebo port poškodit.
- Pokud je port zapnutý, můžete modul SFP nainstalovat nebo odstranit.
- Modul SFP je třeba nainstalovat do portu předtím, než připojíte optický kabel.
- Předtím, než odstraníte modul SFP z portu, musíte z modulu SFP odstranit optický kabel.




**OSTRZEŽENIE: Při manipulaci zacházejte se zařízeními citlivými na statickou elektřinu opatrně, aby je statická elektřina nepoškodila.**

## Další dokumenty a média, které můžete potřebovat

 **VAROVÁNÍ:** Prostudujte si informace o bezpečnosti a předpisech, které byly dodány se systémem. Informace o záruce jsou součástí tohoto dokumentu nebo jsou přiloženy samostatně.


 **POZNÁMKA:** Veškeré dokumenty pro systém PowerVault MD3600f lze získat na adrese [support.dell.com/manuals](http://support.dell.com/manuals).

- Pokyny k instalaci do stojanu dodané se stojanovým řešením popisují instalaci systému do stojanu.
- *Příručka majitele hardwaru* obsahuje informace o funkcích systému a popisuje řešení problémů se systémem a instalaci nebo výměnu komponent.
- *Instalační příručka* obsahuje informace o instalaci a konfiguraci softwaru a hardwaru.
- *Příručka CLI* obsahuje informace o tom, jak ke konfiguraci a správě diskového pole používat rozhraní CLI.
- *Příručka programátora SMI-S* obsahuje informace o používání poskytovatele SMI-S a o programování SMI-S.
- Média dodaná se systémem obsahují dokumentaci a nástroje pro konfiguraci a správu systému. Mohou být dodána například média týkající se operačního systému, softwaru pro správu systému, aktualizací systému a komponent zakoupených se systémem.

 **POZNÁMKA:** Vždy nejprve zkontrolujte a přečtěte aktualizace uvedené na adrese [support.dell.com/manuals](http://support.dell.com/manuals), protože tyto aktualizace často nahrazují informace v ostatních dokumentech.

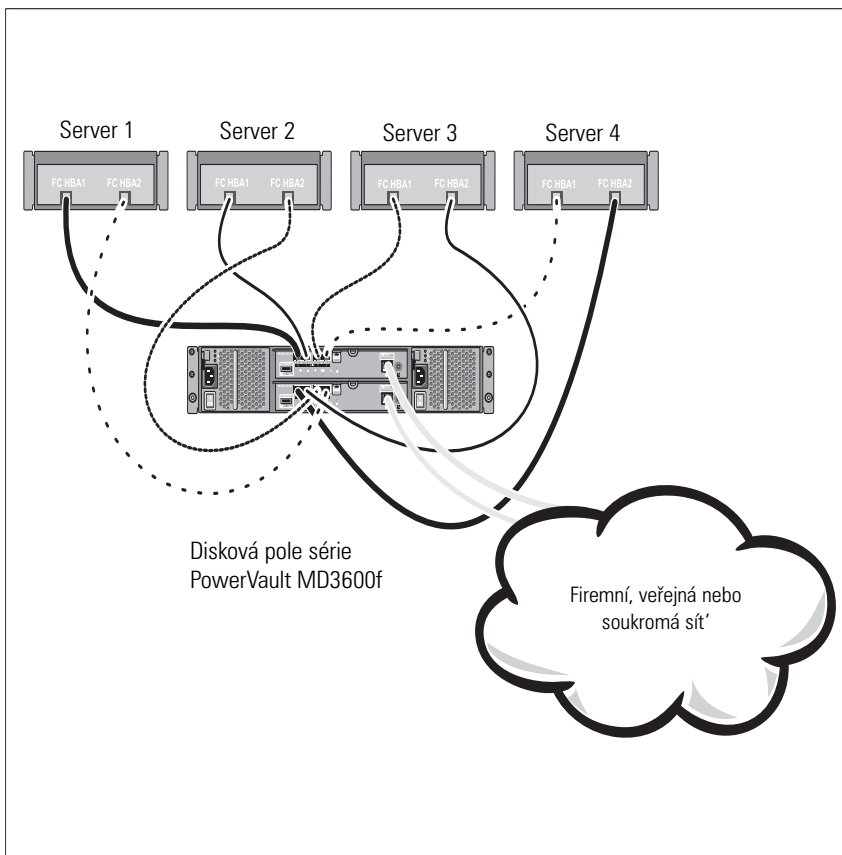
## Podporované operační systémy

- Microsoft Windows Server
- Red Hat Enterprise Linux
- SUSE Linux Enterprise Server
- VMware

 **POZNÁMKA:** Nejnovější informace o verzích všech podporovaných operačních systémů naleznete v *matici odborné pomoci* na adrese [support.dell.com/manuals](http://support.dell.com/manuals).

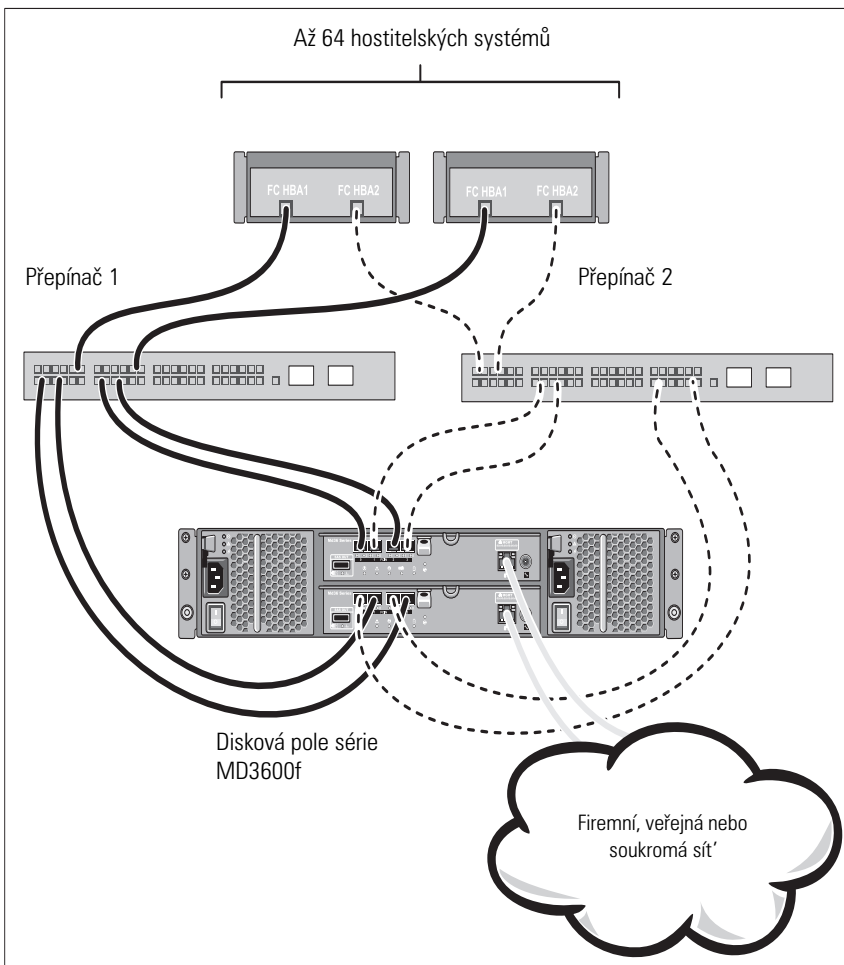
# Obvyklé konfigurace

## Připojení hostitelských systémů v DAS



## Připojení hostitelských systémů v SAN

Níže uvedený obrázek představuje redundantní systém. Například systém používaný ve vzdáleném replikačním prostředí.



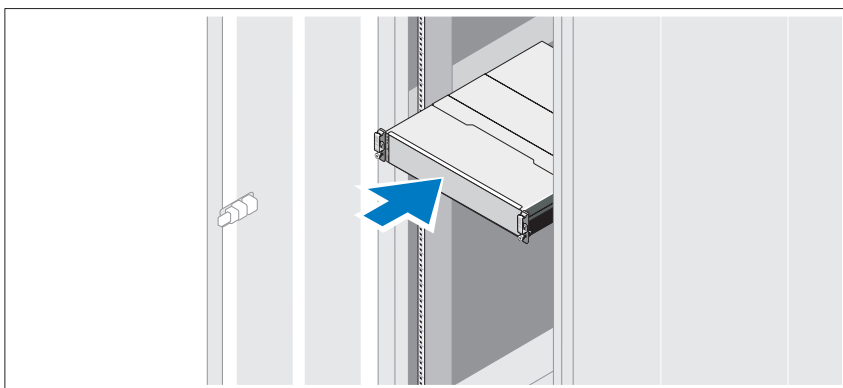
# Instalace a konfigurace

**VAROVÁNÍ:** Před provedením následujícího postupu si prostudujte bezpečnostní pokyny dodané se systémem.

## Rozbalení systému

Rozbalte systém a zkontrolujte každou položku dle seznamu, který jste obdrželi společně se systémem.

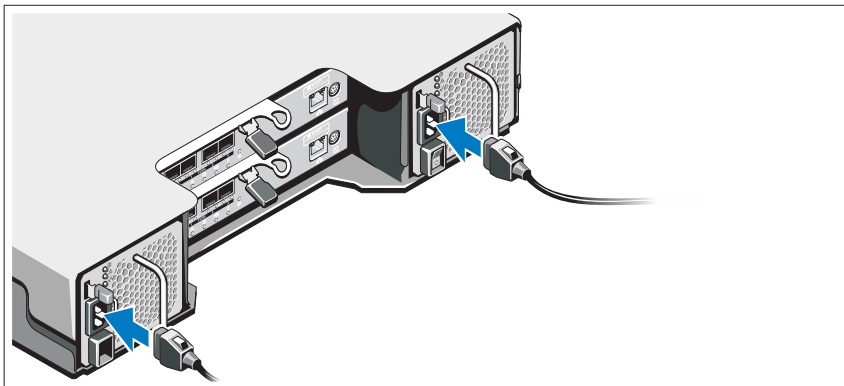
## Instalace kolejnic a systému do stojanu



Sestavte kolejničky a nainstalujte systém do stojanu podle bezpečnostních pokynů a pokynů k instalaci do stojanu dodaných se systémem.

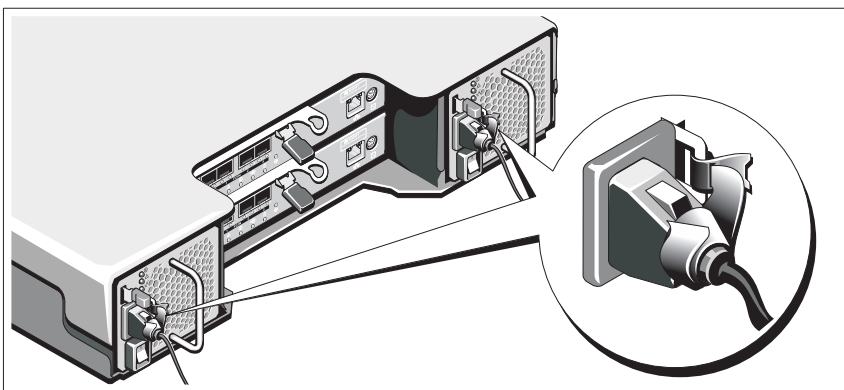
**POZNÁMKA:** Chcete-li správně vyvážit stojan, doporučujeme namontovat diskové pole série PowerVault MD3600f do spodní části stojanu a rozšiřující skříně série PowerVault MD1200 nad ně.

## Připojení napájecích kabelů



Předtím, než připojíte napájecí kabely, se prosím ujistěte, že se vypínač nachází v poloze VYPNUTÝ. Připojte napájecí kabely k systému.

## Zajištění napájecích kabelů



Pomocí řemínku pevně připevněte kabely k držáku.

Poté zasuněte druhý konec napájecích kabelů do uzemněné elektrické zásuvky nebo je připojte k samostatnému zdroji napájení, například ke zdroji nepřerušitelného napájení (UPS) nebo jednotce rozvaděče (PDU). Každý zdroj energie musí být připojen k vlastnímu hlavnímu obvodu.

## Instalace a vyjmutí modulů SFP

Chcete-li nainstalovat moduly SFP:

- 1 Pokud je na všech vstupních portech FC nainstalován modul SFP, přejděte na krok 5.
- 2 Vyjměte modul SFP z antistatického ochranného obalu.
- 3 Sejměte z modulu SFP a portu SFP ochranný kryt. Ochranné kryty uchovávejte pro budoucí použití.
- 4 Vložte modul SFP do hostitelského portu, dokud nezapadne na místo.
- 5 Připojte kabel FC. Viz Instalace a vyjmutí optických kabelů na straně 30.

Chcete-li vyjmout moduly SFP:

- 1 Vyjměte kabely FC z modulu SFP. Viz Instalace a vyjmutí optických kabelů na straně 30.



**POZNÁMKA:** Aby nedošlo k poškození kabelu nebo modulu SFP, odpojte před vyjmutím modulu SFP kabel FC.

- 2 Odemkněte západku modulu SFP. Moduly SFP obsahující drátěné úchytky. Odemkněte západku modulu SFP tím, že vytáhnete drátěnou úchytku směrem ven pod úhlem 90°.
- 3 Jakmile je západka modulu SFP v odemčené poloze, vyjměte modul SFP. U modulů SFP, které obsahují drátěné úchytky, uchopte západku a vytáhněte modul SFP z portu.
- 4 Znovu nasad'te ochranný kryt na modul SFP a hostitelský port.
- 5 Umístěte modul SFP do antistatického ochranného obalu.

## Instalace a vyjmutí optických kabelů



**VAROVÁNÍ:** Prostředí zpracování dat může obsahovat vybavení využívající přenos na spojích systému s laserovými moduly, které pracují na vyšších úrovních, než je Třída 1. Nikdy se neďivejte do konce optického kabelu nebo do otevřené zásuvky.

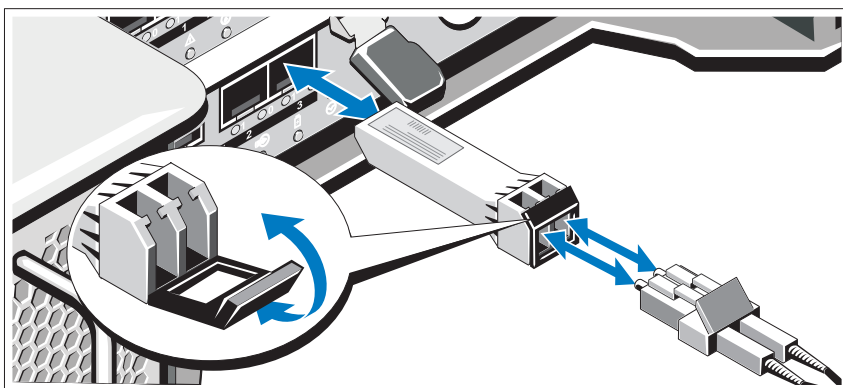
Před instalací optického kabelu viz Pokyny k používání optických kabelů na straně 24.

Chcete-li nainstalovat optický kabel:

- 1 Pokud je to třeba, vyjměte ochranný kryt z modulu SFP a uložte jej pro budoucí použití.
- 2 Odstraňte dva ochranné kryty z jednoho konce kabelu a uložte je pro budoucí použití.



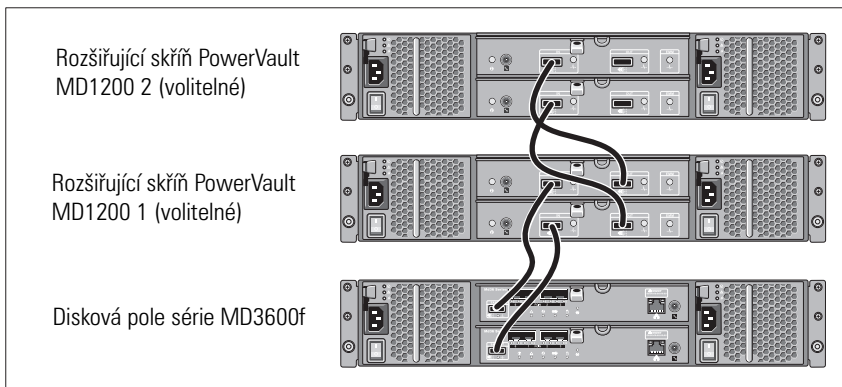
- 3 Vložte kabel do modulu SFP, který je nainstalován v diskovém poli. Konektor kabelu je nastaven ke správné instalaci. Podržte konektor a zatlačte na kabel, dokud nezapadne na místo.
- 4 Vyjměte dva ochranné kryty z opačného konce kabelu a uložte je pro budoucí použití.
- 5 Připojte tento konec kabelu k jednomu z následujících zařízení:
  - Modul SFP nainstalovaný na portu FC přepínače
  - Port FC HBA



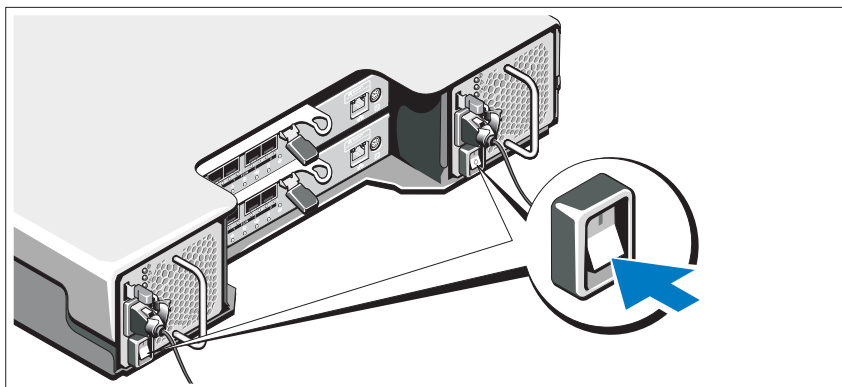
Chcete-li odstranit optický kabel:

- 1 Před odstraněním kabelu z modulu SFP stiskněte a podržte páčku, která slouží k uvolnění západek. Ujistěte se, že jsou páčky při odstraňování kabelů v uvolňovací pozici. Při odstraňování kabelu nechte plastovou úchytku modulu SFP.
- 2 Na konci kabelu, který se připojuje k modulu SFP nebo ke sběrnici HBA, stiskněte a podržte páčku uvolňující západky.
- 3 Při stisknutí páčky kabelu zatáhněte za konektor a vyjměte kabel z modulu SFP.
- 4 Vložte ochranné kryty zpět na konce kabelů.
- 5 Vložte ochranné kryty zpět na modul SFP.

## Připojení rozšiřující skříně




## Zapnutí diskového pole




Zapněte komponenty v následujícím pořadí:

- 1 Přepínače FC (pokud se používají)
- 2 Rozšiřující skříně série PowerVault MD1200 (pokud se používají)

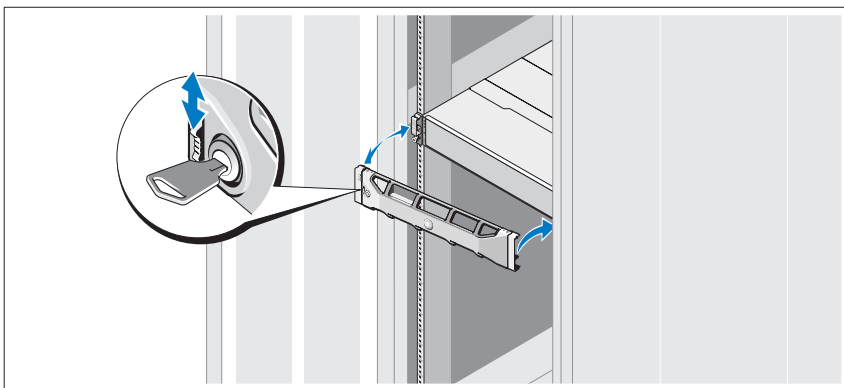
 **POZNÁMKA:** Než zapnete diskové pole, ujistěte se, že LED na rozšiřující skříně svítí modře.

### 3 Disková pole série MD3600f

 **POZNÁMKA:** Než zapnete hostitelské servery, ujistěte se, že LED na diskovém poli svítí modře.


### 4 Hostitelské servery

## Instalace čelního krytu




Nainstalujte čelní kryt (volitelný).

## Instalace sběrnice HBA a ovladačů

 **POZNÁMKA:** Nezapomeňte si předtím, než budete pokračovat v dalším postupu, přečíst příručku o konfiguraci Fibre Channel s diskovým polem série Dell MD3600f. Podrobné pokyny k instalaci softwaru pro úložiště MD storage, nastavení skříně a úkolech, které je třeba vykonat po instalaci, viz *Instalační příručka*.

- 1 Fyzicky nainstalujte sběrnice HBA.
- 2 Připojte kabely.
- 3 Nainstalujte ovladače HBA a opravy/hotfixy HBA pro operační systém.
- 4 Ujistěte se, že je použito doporučené nastavení HBA.

## Instalace softwaru pro úložiště MD Storage

 **POZNÁMKA:** Podrobné pokyny k instalaci softwaru pro úložiště MD storage, nastavení skříňě a úkolech, které je třeba vykonat po instalaci, viz *Instalační příručka*.


Aplikace MD Storage Manager slouží ke konfiguraci, správě a sledování diskového pole. Chcete-li nainstalovat software pro úložiště MD Storage:



- 1 Vložte zdrojové médium série MD.

V závislosti na vašem operačním systému se může automaticky spustit instalační program. Pokud se instalační program automaticky nespustí, přejděte do kořenového adresáře instalačního média (nebo staženého obrazu instalačního programu) a spusťte soubor **md\_launcher.exe**. U systémů Linux přejděte do kořenového adresáře zdrojového média a spusťte soubor **autorun**.

 **POZNÁMKA:** Operační systém Red Hat Enterprise Linux standardně připojuje zdrojové médium za použití možnosti **–noexec**, která neumožňuje spouštět spustitelné soubory. Chcete-li toto nastavení změnit, nahlédněte do souboru **Readme** v kořenovém adresáři instalačního média.

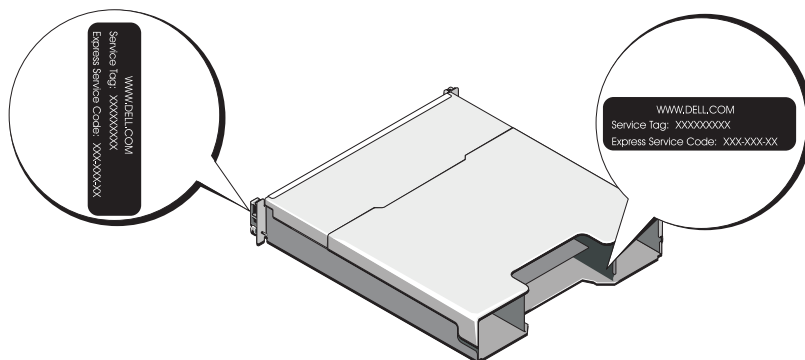
- 2 Zvolte možnost **Install MD Storage Software** (Instalovat software pro úložiště MD).
- 3 Přečtěte si licenční smlouvu a přijměte ji.
- 4 V nabídce **Install Set** (Instalační balík) vyberte jednu z následujících možností instalace:
  - **Full (Kompletní - doporučené)** - umožňuje instalaci programu MD Storage Manager (klient), hostitelského agenta, ovladačů vícecestných disků a poskytovatele hardwaru.
  - **Host Only (Lokální)** - umožňuje instalaci hostitelského agenta a ovladačů vícecestných disků.
  - **Management (Správa)** - umožňuje instalaci softwaru pro správu a poskytovatele hardwaru.
  - **Custom (Vlastní)** - umožňuje vybrat konkrétní komponenty.
- 5 Vyberte modely diskových polí MD, které mají sloužit jako datová úložiště tohoto hostitelského serveru.
- 6 Vyberte, zda se má po restartu hostitelského serveru spustit služba sledování událostí automaticky nebo manuálně.

 **POZNÁMKA:** Tato možnost je platná pouze pro instalace klientského softwaru systému Windows.

- 7 Potvrďte umístění instalace a klepněte na **Install** (Instalace).
- 8 Jakmile o to budete po dokončení instalace požádáni, restartujte hostitelský server.
- 9 Spusťte správce **MD Storage Manager** a vyhledejte disková pole.
  -  **POZNÁMKA:** Pokud v síti s řídicími porty diskových polí MD nepoužíváte protokol DHCP, doporučujeme, abyste na řídicí stanici povolili k nalezení diskových polí protokol IPv6.
- 10 Nakonfigurujte na přepínačích FC režimy „single initiator“ a „multiple target zoning“. Informace o zónách viz *Instalační příručka*.
- 11 Pokud je třeba, aktivujte veškeré dodatečné funkce zakoupené s diskovým polem. Pokud jste si zakoupili dodatečné funkce, použijte tištěnou aktivační kartu dodanou s diskovým polem.
  -  **POZNÁMKA:** Instalátor programu **MD Storage Manager** automaticky nainstaluje ovladače, firmware a opravy/hotfixy operačního systému potřebné pro práci s diskovým polem. Tyto ovladače a firmware lze též získat na adrese **support.dell.com**. Další informace o nastavení a/nebo softwaru potřebném pro konkrétní diskové pole naleznete v *matici odborné pomoci* na adrese **support.dell.com/manuals**.

## Vyhledání servisního označení

Váš systém je identifikován jedinečným kódem expresní služby a číslem servisního označení. Kód expresní služby a servisní označení lze nalézt na přední straně systému a na zadní straně systému vedle modulů řadičů RAID. Tyto informace používá společnost Dell k nasměrování žádostí o odbornou pomoc příslušným zaměstnancům.



## Informace NOM (jen pro Mexiko)

K zařízení popsanému v tomto dokumentu se vztahují v souladu s požadavky oficiální mexické normy NOM následující informace:

|                  |                                                                                                                   |
|------------------|-------------------------------------------------------------------------------------------------------------------|
| Dovozce:         | Dell Inc. de México, S.A. de C.V.<br>Paseo de la Reforma 2620 -11º Piso<br>Col. Lomas Altas<br>11950 México, D.F. |
| Číslo modelu:    | E03J a E04J                                                                                                       |
| Napájecí napětí: | 100–240 V stř.                                                                                                    |
| Frekvence:       | 50/60 Hz                                                                                                          |
| Spotřeba proudu: | 8,6 A                                                                                                             |

## Technické specifikace

---

### Jednotky

|                    |                                                                                                    |
|--------------------|----------------------------------------------------------------------------------------------------|
| PowerVault MD3600f | Až dvanáct 3,5palcových pevných disků SAS, které lze vyměňovat za chodu (3,0 Gb/s a 6,0 Gb/s)      |
| PowerVault MD3620f | Až dvacet čtyři 2,5palcových pevných disků SAS, které lze vyměňovat za chodu (3,0 Gb/s a 6,0 Gb/s) |

---

### Moduly řadičů RAID

|                    |                                                                                                                                                                    |
|--------------------|--------------------------------------------------------------------------------------------------------------------------------------------------------------------|
| Moduly řadičů RAID | <ul style="list-style-type: none"><li>• Jeden nebo dva moduly s tepelnými čidly, které lze vyměňovat za chodu</li><li>• 2 GB vyrovnávací paměti na řadič</li></ul> |
|--------------------|--------------------------------------------------------------------------------------------------------------------------------------------------------------------|

---

### Konektory na zadním panelu (na jeden modul řadiče RAID)

|                             |                                                                                                                              |
|-----------------------------|------------------------------------------------------------------------------------------------------------------------------|
| Konektory FC                | Čtyři vstupní porty FC k připojení hostitelských systémů                                                                     |
| Konektor SAS                | Jeden výstupní port SAS OUT k rozšíření o další skříně PowerVault MD12xx<br><b>POZNÁMKA:</b> Konektor SAS vyhovuje SFF-8088. |
| Konektor sériového rozhraní | Jeden 6kolíkový konektor mini-DIN<br><b>POZNÁMKA:</b> Pouze pro zaměstnance odborné pomoci.                                  |

---

## Konektory na zadním panelu (na jeden modul řadiče RAID) (pokračování)

---

Konektor Ethernetu  
pro řízení

Jeden port pro Ethernet typu 100/1000 Base-T pro vzdálenou správu skříně

**POZNÁMKA:** Výchozí IP adresy řídicích portů primárního a sekundárního modulu řadiče RAID jsou 192.168.128.101 a 192.168.128.102. Řídicí porty jsou standardně nastaveny na práci s protokolem DHCP. Pokud řadič není schopen získat od serveru DHCP konfiguraci IP adresy ve stanoveném časovém limitu (přibližně 3 minuty), standardně se přepne na používání statické IP adresy. Další informace získáte v *Instalační příručce*.

---

## Rozšíření

---

Série PowerVault MD1200

Podporuje maximálně 192 pevných disků s jakoukoli kombinací rozšiřujících skříní PowerVault MD1200 či PowerVault MD1220. Podpora 192 pevných disků je dodatečná funkce a vyžaduje aktivaci. Maximální počet podporovaných pevných disků bez použití této dodatečné funkce je 120.

Redundantní konektivita cest poskytuje redundantní datové cesty pro každý pevný disk.

---

## Zadní deska

---

Konektory

- 12 nebo 24 konektorů pro pevné disky SAS
- Dva konektory pro napájecí zdroje/moduly s chladicími ventilátory
- Dvě sady konektorů pro moduly řadičů RAID
- Jeden konektor pro ovládací panel předních LED a tlačítko identifikace systému

Senzory

Dva senzory teploty

---

## Indikátory LED

---

Čelní panel

- Jeden dvoubarevný indikátor LED pro stav systému
- Dva jednobarevné indikátory LED pro napájení a režim pro použití ve skříní

**POZNÁMKA:** Indikátor LED pro režim ve skříní se nenachází na diskových polích PowerVault MD3600f.

---

## Indikátory LED (pokračování)

---

|                                    |                                                                                                                                                                                                                                                                                                                                                                                                                                                                                                                                                          |
|------------------------------------|----------------------------------------------------------------------------------------------------------------------------------------------------------------------------------------------------------------------------------------------------------------------------------------------------------------------------------------------------------------------------------------------------------------------------------------------------------------------------------------------------------------------------------------------------------|
| Nosič pevných disků                | <ul style="list-style-type: none"><li>• Jeden jednobarevný indikátor LED pro aktivitu</li><li>• Jeden dvoubarevný indikátor LED pro stav každého disku</li></ul>                                                                                                                                                                                                                                                                                                                                                                                         |
| Napájecí zdroj/chladicí ventilátor | Tři indikátory LED pro stav napájecího zdroje, selhání napájecího zdroje nebo ventilátoru a stav napájení střídavým proudem                                                                                                                                                                                                                                                                                                                                                                                                                              |
| Modul řadiče RAID                  | 14 jednobarevných indikátorů LED: <ul style="list-style-type: none"><li>• Jeden pro závadu baterie</li><li>• Jeden pro aktivní vyrovnávací paměť</li><li>• Jeden pro závadu řadiče</li><li>• Jeden pro napájení řadiče</li><li>• Jeden pro identifikaci systému</li><li>• Jeden pro aktivitu Ethernetu pro řízení</li><li>• Osm pro spojení nebo závadu FC</li></ul> 2 dvoubarevné indikátory LED: <ul style="list-style-type: none"><li>• Jeden pro připojení nebo závady SAS OUT</li><li>• Jeden pro rychlost připojení Ethernetu pro řízení</li></ul> |

---

## Přepínač

---

|                                       |                                                                                                          |
|---------------------------------------|----------------------------------------------------------------------------------------------------------|
| Tlačítko pro identifikaci systému     | Umístěno na předním řídicím panelu. Toto tlačítko slouží k nalezení systému uvnitř stojanu.              |
| Přepínač režimu pro použití ve skříní | Umístěný na přední straně systému. Tento přepínač se nenachází v diskovém poli PowerVault MD3600f.       |
| Tlačítko pro vymazání hesla           | Umístěno na zadní straně modulu řadiče RAID. Toto tlačítko se používá k resetování hesla diskových polí. |



---

## **Dodávky energie**

---

Střídavý proud (na jeden napájecí zdroj)

|                          |                                                                                                                                                         |
|--------------------------|---------------------------------------------------------------------------------------------------------------------------------------------------------|
| Výkon                    | 600 W                                                                                                                                                   |
| Napětí                   | 100 – 240 V stř. (8,6 A – 4,3 A)                                                                                                                        |
| Odvod tepla              | 100 W                                                                                                                                                   |
| Maximální nárazový proud | V typických podmínkách napájení a v celém provozním rozsahu systému může nárazový proud dosáhnout 55 A na jeden napájecí zdroj po dobu 10 ms nebo méně. |

---

## **Dostupné napájení pevných disků (na zdířku)**

---

|                    |      |
|--------------------|------|
| PowerVault MD3600f | 25 W |
| PowerVault MD3620f | 12 W |

---

## **Napájení modulu řadiče RAID (na zdířku)**

---

|                            |       |
|----------------------------|-------|
| Maximální spotřeba energie | 100 W |
|----------------------------|-------|

---

## **Rozměry**

---

PowerVault MD3600f

|                                  |                    |
|----------------------------------|--------------------|
| Výška                            | 8,68 cm (3,41")    |
| Šířka                            | 44,63 cm (17,57")  |
| Hloubka                          | 60,20 cm (23,70")  |
| Hmotnost (maximální konfigurace) | 29,30 kg (64,6 lb) |
| Hmotnost (prázdné)               | 8,84 kg (19,5 lb)  |

PowerVault MD3620f

|                                  |                    |
|----------------------------------|--------------------|
| Výška                            | 8,68 cm (3,41")    |
| Šířka                            | 44,63 cm (17,57")  |
| Hloubka                          | 54,90 cm (21,61")  |
| Hmotnost (maximální konfigurace) | 24,22 kg (53,4 lb) |
| Hmotnost (prázdné)               | 8,61 kg (19 lb)    |

---

## Prostředí

---

**POZNÁMKA:** Další informace o měřených údajích prostředí najdete pro jednotlivé systémové konfigurace na adrese [www.dell.com/environmental\\_datasheets](http://www.dell.com/environmental_datasheets).

### Teplota

|            |                                                                                                                                                                                        |
|------------|----------------------------------------------------------------------------------------------------------------------------------------------------------------------------------------|
| Provozní   | 10 až 35 °C s maximálním nárůstem teploty o 10 °C za hodinu<br><b>POZNÁMKA:</b> V nadmořských výškách nad 900 metrů je maximální provozní teplota snížena o 1 °C na každých 300 metrů. |
| Skladovací | -40 až 65 °C s maximálním nárůstem teploty o 20 °C za hodinu                                                                                                                           |

### Relativní vlhkost

|            |                                                                             |
|------------|-----------------------------------------------------------------------------|
| Provozní   | 20 až 80 % (bez kondenzace) s maximálním nárůstem vlhkosti o 10 % za hodinu |
| Skladovací | 5 až 95 % (bez kondenzace)                                                  |

### Maximální vibrace

|            |                                      |
|------------|--------------------------------------|
| Provozní   | 0,25 G při 3–200 Hz po dobu 15 minut |
| Skladovací | 0,5 G při 3–200 Hz po dobu 15 minut  |

### Maximální ráz

|            |                                                                                                                                           |
|------------|-------------------------------------------------------------------------------------------------------------------------------------------|
| Provozní   | Jeden rázový impuls v kladné ose z (jeden impuls na každé straně systému) o síle 31 G v délce do 2,6 ms v provozní orientaci              |
| Skladovací | Šest po sobě jdoucích rázových impulsů v kladné i záporné ose x, y a z (jeden impuls na každé straně systému) o síle 71 G v délce do 2 ms |

### Nadmořská výška

|            |                                                                                                                                           |
|------------|-------------------------------------------------------------------------------------------------------------------------------------------|
| Provozní   | -16 až 3 048 m<br><b>POZNÁMKA:</b> V nadmořských výškách nad 900 metrů je maximální provozní teplota snížena o 1 °C na každých 300 metrů. |
| Skladovací | -16 až 10 600 m                                                                                                                           |

### Úroveň znečištění vzduchu

|       |                              |
|-------|------------------------------|
| Třída | G1 dle normy ISA-S71.04-1985 |
|-------|------------------------------|

Matrices de stockage  
Dell PowerVault  
MD3600f et MD3620f  
**Guide de mise en route**

Séries de modèle réglementaire E03J et E04J



# Remarques, précautions et avertissements



**REMARQUE** : une REMARQUE indique des informations importantes qui peuvent vous aider à mieux utiliser votre ordinateur.



**PRÉCAUTION** : une PRÉCAUTION vous avertit d'un risque d'endommagement du matériel ou de perte de données en cas de non-respect des instructions.



**AVERTISSEMENT** : un AVERTISSEMENT indique un risque d'endommagement du matériel, de blessure corporelle ou de mort.

---

Les informations que contient ce document sont sujettes à modification sans préavis.

© 2011 Dell Inc. Tous droits réservés.

La reproduction de ce document, de quelque manière que ce soit, sans l'autorisation écrite de Dell Inc. est strictement interdite.

Marques utilisées dans ce document : Dell™, le logo DELL et PowerVault™ sont des marques de Dell Inc. Microsoft® et Windows Server® sont des marques ou des marques déposées de Microsoft Corporation aux États-Unis et/ou dans d'autres pays. Red Hat® et Red Hat Enterprise Linux® sont des marques déposées de Red Hat, Inc. aux États-Unis et dans d'autres pays. SUSE® est une marque déposée de Novell, Inc. aux États-Unis et dans d'autres pays. VMware® est une marque déposée de VMware, Inc. aux États-Unis et/ou dans d'autres juridictions.

D'autres marques et noms commerciaux peuvent être utilisés dans ce document pour faire référence aux entités revendiquant la propriété de ces marques ou de ces noms de produits. Dell Inc. rejette tout intérêt exclusif dans les marques et les noms commerciaux autres que les siens.

Séries de modèle réglementaire E03J et E04J

2011 - 08    N/P NKX4V    Rév. A02

## Avant de commencer



**REMARQUE :** dans ce document, les références à la matrice de stockage Dell PowerVault série MD3600f concernent les matrices de stockage Dell PowerVault MD3600f et Dell PowerVault MD3620f. « Boîtier d'extension Dell PowerVault série MD1200 » désigne à la fois le Dell PowerVault MD1200 et le Dell PowerVault MD1220.

Avant d'installer votre matrice de stockage Dell PowerVault MD3600f, vous devez considérer certaines pratiques d'excellence pour assurer le fonctionnement le plus efficace possible de votre matrice de stockage et une redondance complète (si nécessaire).

- Pour activer la redondance, deux cartes de bus hôte (HBA) Fibre Channel (FC) doivent être connectées à partir du système hôte à la matrice de stockage. Si la redondance n'est pas nécessaire, seule une carte HBA FC est connectée à la matrice de stockage. Voir les documents *Matrice de prise en charge* pour obtenir une liste des cartes HBA prises en charge et *Configuration Fibre Channel avec la matrice de stockage Dell série MD3600f* pour obtenir des informations sur l'installation de pilotes HBA. Vous pouvez également les télécharger à partir de [support.dell.com/manuals](http://support.dell.com/manuals).
- Avant de connecter tout câble entre le serveur hôte et la matrice de stockage, étiquetez physiquement chaque port et chaque connecteur.
- Suivez toujours les procédures de mise sous et hors tension lors des cycles d'alimentation du réseau. Vous devez également vous assurer que les composants essentiels du réseau se trouvent sur différents circuits d'alimentation.

## Fonctionnement des modules SFP et des câbles à fibre optique



**REMARQUE :** les modules SFP+ sont pris en charge pour les connexions Fibre Channel 8 Go. Ce document fait référence à SFP de manière générique.

Chaque contrôleur de stockage peut avoir jusqu'à quatre ports hôte FC. Un module enfichable compact (SFP) sert à connecter un port hôte à un hôte ou à un commutateur. Le module SFP est inséré dans le port, puis un câble à fibre optique est inséré dans le module SFP. L'autre extrémité du câble à fibre optique est connectée à un connecteur d'interface optique sur la carte HBA FC d'un hôte ou d'un commutateur. Les modules SFP sont des produits laser.



**AVERTISSEMENT :** les environnements de traitement de données peuvent contenir un équipement de transmission vers des liens système avec des modules laser qui fonctionnent à des niveaux de puissance plus élevés que ceux de la classe 1. Ne regardez jamais dans l'extrémité d'un câble à fibre optique et n'ouvrez jamais son réceptacle.

### Consignes d'utilisation des câbles à fibre optique

- N'acheminez pas le câble le long d'un bras de gestion de câbles coudé.
- Pour les périphériques sur rails coulissants, ne tirez pas trop sur les câbles afin qu'ils ne se plient pas à un diamètre de moins de 76 mm (3 po.), ou à un rayon de moins de 38 mm (1,5 po.), lorsqu'ils sont tendus et pour éviter qu'ils ne soient pincés lorsqu'ils reviennent en place.
- Acheminez les câbles loin des autres appareils qui pourraient les endommager dans l'armoire.
- N'utilisez pas de pinces de câble en plastique au lieu des attaches de câble fournies.
- Ne serrez pas trop les attaches de câble et ne pliez pas les câbles à un diamètre de moins de 76 mm (3 po) ou à un rayon de moins de 38 mm (1,5 po).
- N'appliquez pas une pression trop forte au point de connexion du câble. Assurez-vous que le câble est bien soutenu.

### Consignes pour l'utilisation des modules SFP

La matrice de stockage exige des modules SFP. Les modules SFP convertissent les signaux électriques en signaux optiques requis pour la transmission FC à partir de et vers les modules de contrôleur RAID. Une fois les modules SFP installés, les câbles à fibre optique sont utilisés pour connecter la matrice de stockage à d'autres périphériques FC. Avant d'installer les modules SFP et les câbles à fibre optique, lisez les informations suivantes :

- Utilisez uniquement les modules SFP pris en charge par Dell avec les matrices de stockage PowerVault série MD3600f. Les autres modules SFP génériques ne sont pas pris en charge et peuvent ne pas fonctionner avec les matrices de stockage.
- Le boîtier du module SFP est doté d'un détrompeur intégral conçu pour vous empêcher d'introduire le module SFP de manière incorrecte.
- Utilisez un minimum de pression lors de l'insertion d'un module SFP dans un port FC. Si vous forcez le module SFP dans un port, vous risquez d'endommager le module SFP ou le port.
- Vous pouvez installer ou retirer le module SFP du port même si ce dernier est sous tension.
- Vous devez installer le module SFP dans un port avant de connecter le câble à fibre optique.
- Vous devez retirer le câble à fibre optique du module SFP avant de retirer le module SFP du port.



**PRÉCAUTION : lorsque vous manipulez des périphériques sensibles à l'électricité statique, prenez soin de ne pas endommager le produit avec l'électricité statique.**

## Autre documentation et support dont vous pourriez avoir besoin



**AVERTISSEMENT** : reportez-vous aux informations sur la sécurité et les réglementations qui accompagnent votre système. Les informations sur la garantie se trouvent dans ce document ou dans un document distinct.



**REMARQUE** : tous les documents PowerVault série MD3600f sont disponibles sur le site [support.dell.com/manuals](http://support.dell.com/manuals).

- La documentation fournie avec le rack indique comment installer le système dans un rack.
- Le document *Hardware Owner's Manual* (Manuel du propriétaire du matériel) contient des informations sur les caractéristiques du système, ainsi que des instructions relatives au dépannage et à l'installation ou au remplacement de composants.
- Le *Guide de déploiement* fournit des informations sur l'installation et la configuration du logiciel et du matériel.
- Le *Guide CLI* fournit des informations sur l'utilisation de l'interface de ligne de commande (CLI) pour configurer et gérer votre matrice de stockage.
- Le document *SMI-S Programmer's Guide* (Guide de programmeur SMI-S) contient des informations sur l'utilisation de l'opérateur SMI-S et la programmation de SMI-S.
- Tous les supports fournis avec le système contiennent de la documentation et des outils de configuration et de gestion de votre système d'exploitation, notamment du système même et du logiciel de gestion, des mises à jour et des composants système que vous avez achetés avec le système.



**REMARQUE** : vérifiez toujours si des mises à jour sont disponibles sur le site [support.dell.com/manuals](http://support.dell.com/manuals) et lisez-les en premier, car elles remplacent souvent les informations que contiennent les autres documents.

## Systèmes d'exploitation pris en charge

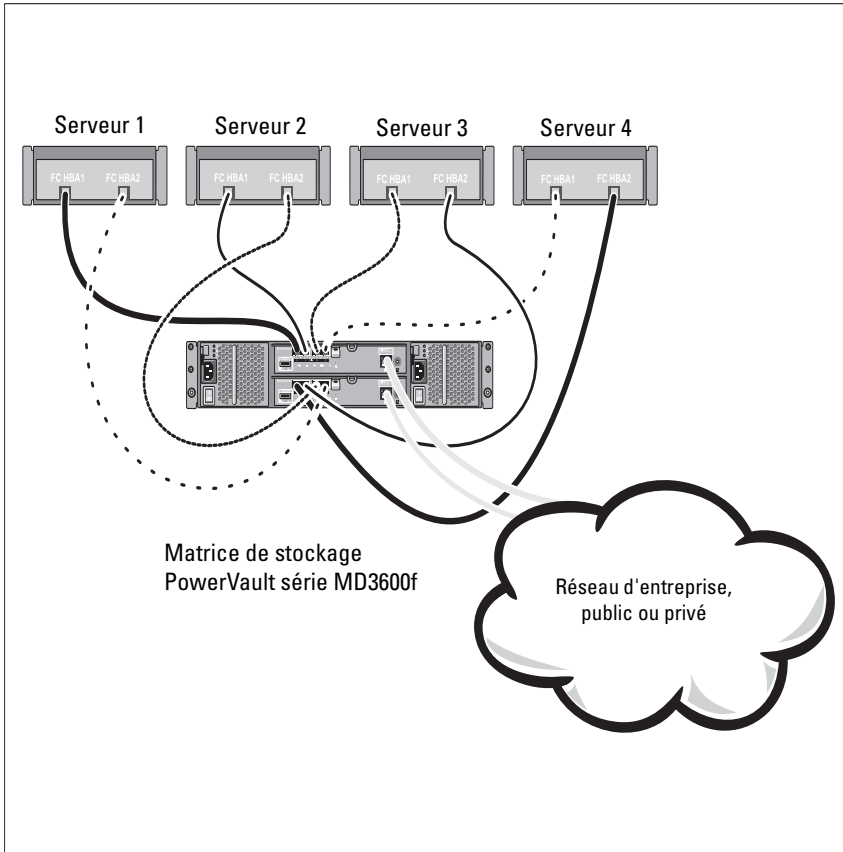
- Microsoft Windows Server
- Red Hat Enterprise Linux
- SUSE Linux Enterprise Server
- VMware



**REMARQUE** : pour obtenir les informations les plus récentes sur toutes les versions de système d'exploitation prises en charge, reportez-vous à la *Matrice de support* à l'adresse [support.dell.com/manuals](http://support.dell.com/manuals).

# Configurations courantes

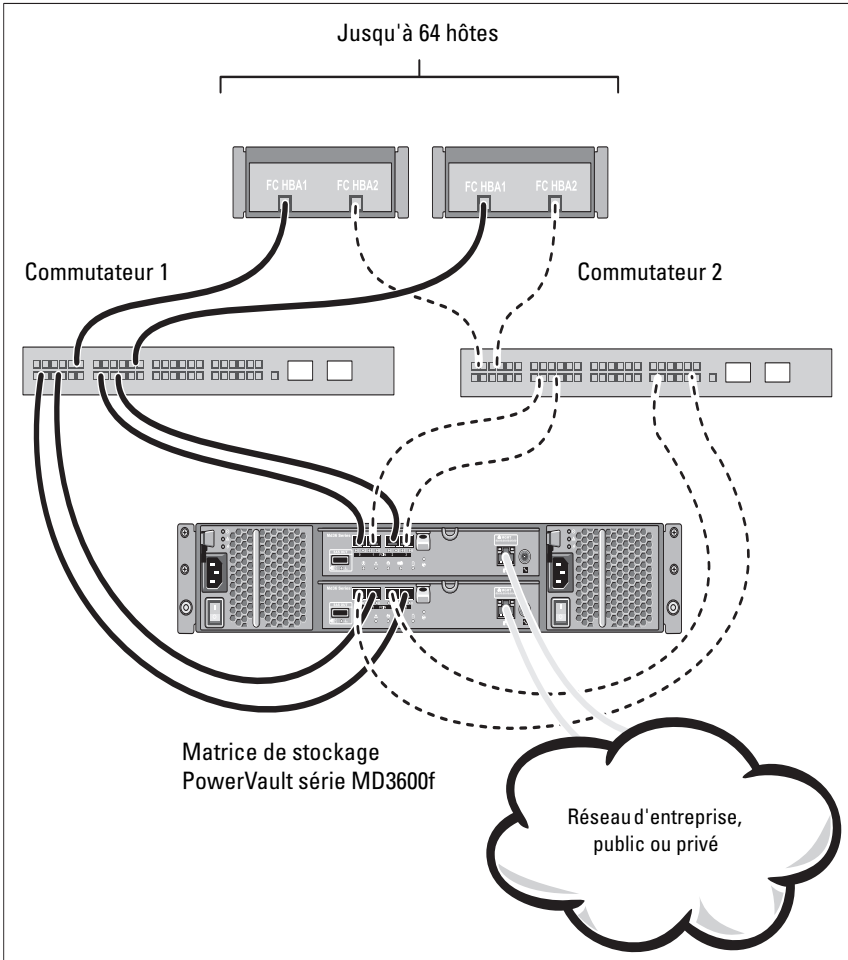
## Câblage des hôtes reliés directement





## Câblage des hôtes reliés au réseau SAN

L'illustration ci-dessous représente un système redondant. Par exemple, un système utilisé dans un environnement de réplication à distance.



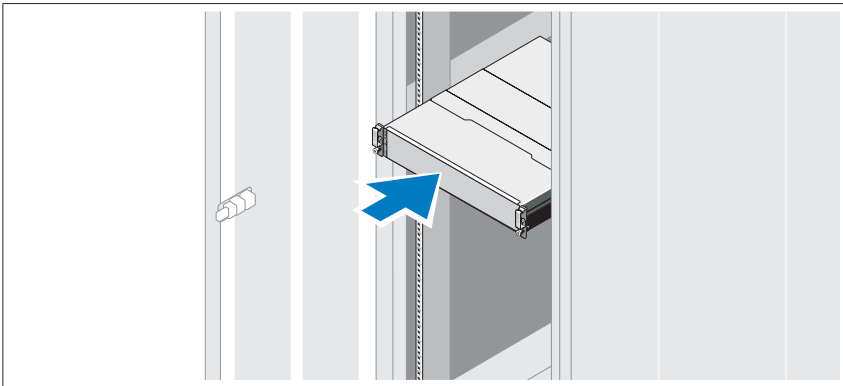
# Installation et configuration

 **AVERTISSEMENT :** avant d'exécuter la procédure ci-dessous, lisez les consignes de sécurité fournies avec le système.


## Déballage du système

Déballer votre système et identifier chaque élément en consultant la liste de composants livrée avec votre système.

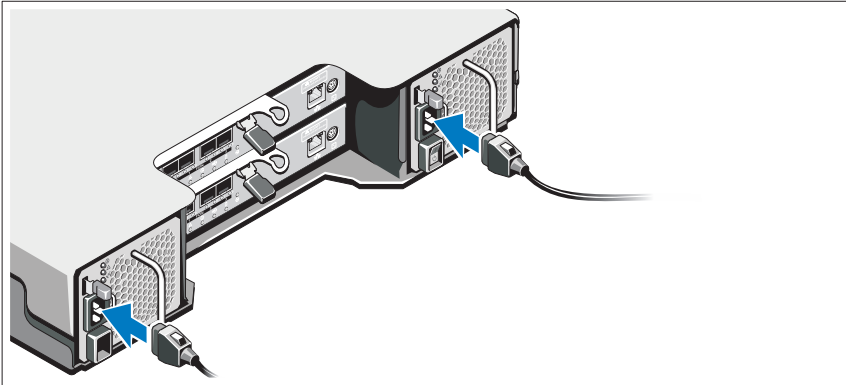
## Installation des rails et du système dans un rack



Assemblez les rails et installez le système dans le rack en suivant les consignes de sécurité et les instructions d'installation du rack fournies avec votre système.

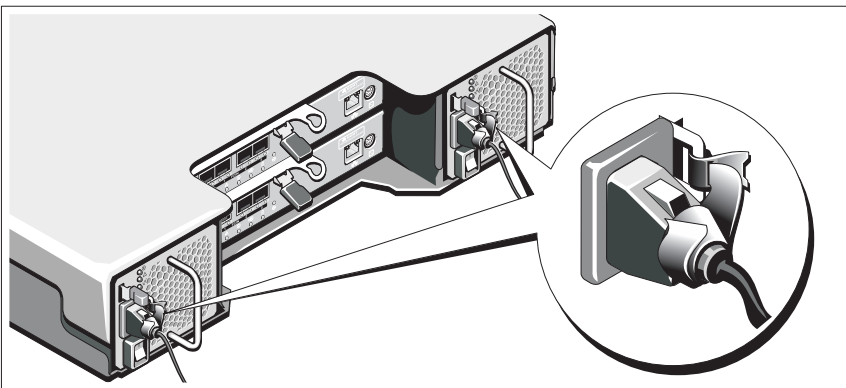
 **REMARQUE :** pour équilibrer la charge, nous vous recommandons d'installer la matrice de stockage PowerVault série MD3600f en bas du rack et les boîtiers d'extension PowerVault série MD1200 au-dessus.

## Branchement du ou des câbles d'alimentation



Avant de connecter les câbles d'alimentation, assurez-vous que le commutateur d'alimentation est en position OFF (ÉTEINT). Branchez le ou les câbles d'alimentation sur le système.

## Fixation du ou des câbles d'alimentation



Fixez fermement les câbles au support de fixation à l'aide de la lanière fournie. Branchez ensuite l'autre extrémité des câbles d'alimentation sur une prise de courant mise à la masse ou sur une source d'alimentation autonome (onduleur [UPS] ou unité de distribution de l'alimentation [PDU]...). Chaque bloc d'alimentation doit être connecté à un circuit d'alimentation séparé.

## Installation et retrait des modules SFP

Pour installer des modules SFP :

- 1 Si tous les ports d'entrée FC disposent d'un module SFP, passez à l'étape 5.
- 2 Retirez le module SFP de son emballage antistatique protecteur.
- 3 Retirez le cache de protection du module SFP et du port SFP. Rangez les caches de protection pour un usage ultérieur.
- 4 Introduisez le module SFP dans le port hôte jusqu'à ce qu'il s'enclenche.
- 5 Connectez un câble FC. Voir « Installation et retrait de câbles Fibre Channel », à la page 50.

Pour supprimer des modules SFP :

- 1 Retirez le câble FC du module SFP. Voir « Installation et retrait de câbles Fibre Channel », à la page 50.



**REMARQUE** : pour ne pas endommager le câble ou le module SFP, déconnectez le câble FC avant de retirer le module SFP.

- 2 Déverrouillez le loquet du module SFP. Dans le cas des modules SFP qui contiennent des languettes métalliques, déverrouillez le loquet du module SFP en tirant sur le loquet vers l'extérieur à 90 °.
- 3 Lorsque le loquet du module SFP se trouve en position ouverte, retirez le module. Dans le cas des modules SFP munis d'une languette métallique, saisissez la languette et extrayez le module SFP du port.
- 4 Réinstallez le cache de protection sur le module SFP et le port hôte.
- 5 Placez le module SFP dans son emballage protecteur antistatique.

## Installation et retrait de câbles Fibre Channel



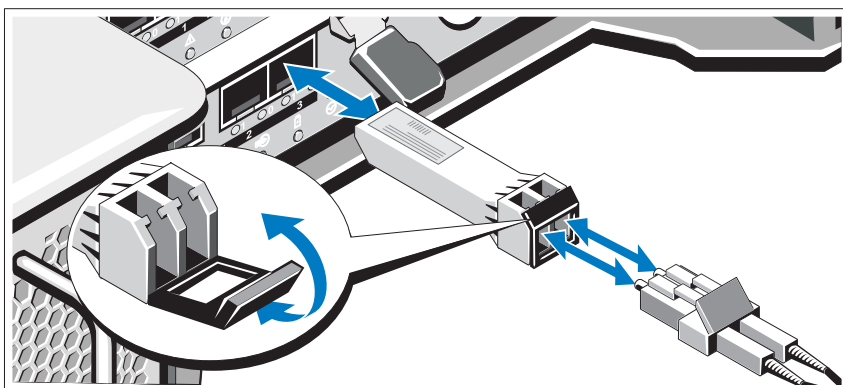
**AVERTISSEMENT** : les environnements de traitement de données peuvent contenir un équipement de transmission vers des liens système avec des modules laser qui fonctionnent à des niveaux de puissance plus élevés que ceux de la classe 1. Ne regardez jamais dans l'extrémité d'un câble à fibre optique et n'ouvrez jamais son réceptacle.

Avant d'installer un câble FC, voir « Consignes d'utilisation des câbles à fibre optique », à la page 44.

Pour installer un câble FC :

- 1 Le cas échéant, retirez le cache protecteur du module SFP et rangez-le pour un usage ultérieur.
- 2 Retirez les deux caches protecteurs de l'extrémité du câble et rangez-les pour un usage ultérieur.

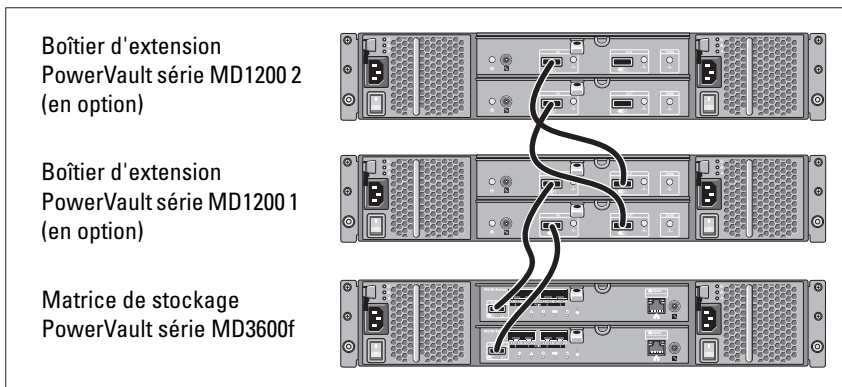
- 3** Introduisez le câble dans un module SFP installé dans la matrice de stockage. Le connecteur de câble est muni d'un détrompeur pour une installation correcte. Tout en maintenant le connecteur, enfoncez-y le câble jusqu'à ce qu'il s'enclenche.
- 4** Retirez les deux caches protecteurs de l'autre extrémité du câble et rangez-les pour un usage ultérieur.
- 5** Connectez cette extrémité du câble à un des périphériques suivants :
  - Un module SFP installé dans un port de commutateur FC
  - Un port HBA FC



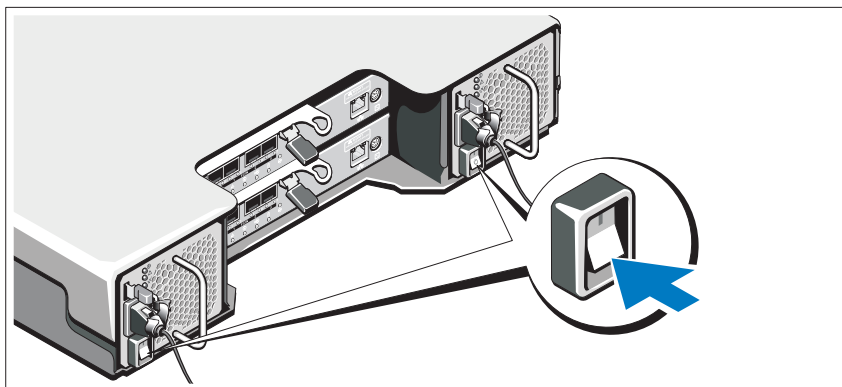
Pour retirer un câble FC :

- 1** Appuyez sur le levier et maintenez la pression pour libérer les loquets avant de retirer le câble du module SFP. Assurez-vous que les leviers sont en position ouverte lors du retrait du câble. Ne saisissez pas la languette en plastique du module SFP lors du retrait du câble.
- 2** À l'extrémité du câble connecté au module SFP ou HBA, appuyez sur le levier et maintenez la pression pour libérer les loquets.
- 3** Tout en appuyant sur le levier du câble, tirez sur le connecteur pour retirer le câble du module SFP.
- 4** Réinstallez les caches de protection sur les extrémités du câble.
- 5** Réinstallez le cache de protection sur le module SFP.

## Câblage de votre boîtier d'extension




## Mise sous tension de la matrice




Mettez les composants sous tension dans l'ordre suivant :

- 1 Commutateurs FC (le cas échéant)
- 2 Boîtiers d'extension série MD1200 (si utilisés)

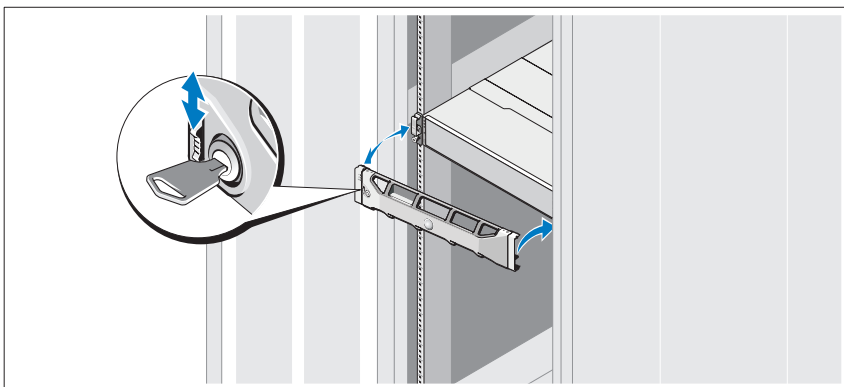
 **REMARQUE** : avant d'allumer la matrice de stockage, assurez-vous que le voyant d'état du boîtier d'extension est bleu.

### 3 Matrice de stockage série MD3600f

 **REMARQUE** : avant d'allumer le(s) serveur(s) hôte, assurez-vous que le voyant d'état de la matrice de stockage est bleu.


### 4 Serveur(s) hôte

## Installation du cadre



Installez le cadre (en option).

## Installation de cartes HBA et de pilotes

 **REMARQUE** : consultez le document *Configuring Fibre Channel With the Dell MD3600f Series Storage Array* (Configuration Fibre Channel avec la matrice de stockage Dell série MD3600f) avant de continuer. Pour des instructions détaillées sur l'installation du logiciel MD Storage, la configuration du boîtier, et les tâches de post-installation, voir le *Guide de déploiement*.

- 1 Installez physiquement les cartes HBA.
- 2 Connectez les câbles.
- 3 Installez les pilotes HBA et les correctifs du système d'exploitation HBA.
- 4 Assurez-vous que les paramètres HBA recommandés sont appliqués.

## Installation du logiciel MD Storage



**REMARQUE :** pour des instructions détaillées sur l'installation du logiciel MD Storage, la configuration du boîtier, et les tâches de post-installation, voir le *Guide de déploiement*.

L'application MD Storage Manager configure, gère, et contrôle la matrice de stockage. Pour installer le logiciel MD Storage Manager :

- 1 Insérez le support Ressource série MD.

En fonction de votre système d'exploitation, le programme d'installation se lancera peut-être automatiquement. Si le programme d'installation ne se lance pas automatiquement, naviguez dans le répertoire racine du support d'installation (ou téléchargez l'image du programme d'installation) et exécutez le fichier **md\_launcher.exe**. Pour les systèmes exécutant Linux, naviguez vers la racine du support Ressource et exécutez le fichier **autorun** (Exécution auto).



**REMARQUE :** par défaut, le système d'exploitation Red Hat Enterprise Linux (RHEL) monte le support Ressource à l'aide de l'option de montage **–noexec mount**, qui ne vous permet pas d'exécuter les fichiers exécutables. Pour modifier ce paramètre, consultez le fichier **Lisez-moi** dans le répertoire racine du support d'installation.

- 2 Sélectionnez **Install MD Storage Software** (Installer le logiciel de stockage MD).
- 3 Lisez le contrat de licence et acceptez-le.
- 4 Sélectionnez l'une des options d'installation suivantes dans le menu déroulant **Install Set** (Configuration d'installation) :
  - **Full (recommended)** (Complète - recommandée) : installe le logiciel (client) MD Storage Manager, l'agent de stockage hôte, le pilote multivoies, et les fournisseurs de matériel.
  - **Host Only** (Hôte uniquement) : installe l'agent de stockage hôte et les pilotes multivoies.
  - **Management** (Gestion) : installe le logiciel de gestion et les fournisseurs de matériel.
  - **Custom** (Personnalisée) : permet de sélectionner des composants spécifiques.
- 5 Sélectionnez le(s) modèle(s) de matrice de stockage MD que vous souhaitez définir comme stockage de données pour ce serveur hôte.
- 6 Choisissez de démarrer le service de moniteur des événements automatiquement lors du redémarrage du serveur hôte ou manuellement



**REMARQUE :** cette option ne s'applique qu'à l'installation du logiciel client Windows.



- 7 Confirmez l'emplacement de l'installation et cliquez sur **Install** (Installer).
- 8 À l'invitation (le cas échéant), redémarrez le serveur hôte après la fin de l'installation.
- 9 Démarrez **MD Storage Manager** et lancez la détection des matrices.



**REMARQUE** : si le protocole Dynamic Host Configuration Protocol (DHCP) n'est pas utilisé sur le réseau de connexion des ports de gestion de la matrice de stockage MD, il est conseillé d'activer IPv6 sur la station de gestion pour détecter la/les matrice(s) de stockage.

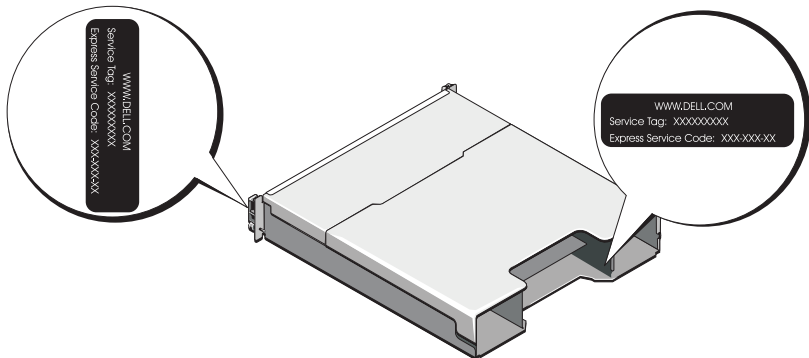
- 10 Configurez des zones d'initiateur simple et de cibles multiples sur vos commutateurs Fibre Channel. Pour obtenir des informations sur la configuration de zones, voir le *Guide de déploiement*.
- 11 Le cas échéant, activez les fonctions premium achetées avec votre matrice de stockage. Si vous avez acheté des fonctions premium, consultez la carte d'activation livrée avec votre matrice de stockage.



**REMARQUE** : l'installateur **MD Storage Manager** installe automatiquement les pilotes, micrologiciel et correctifs de système d'exploitation nécessaires au fonctionnement de votre matrice de stockage. Ces pilotes et micrologiciels sont également disponibles à l'adresse [support.dell.com](http://support.dell.com). Consultez également la *Matrice de prise en charge* à l'adresse [support.dell.com/manuals](http://support.dell.com/manuals) pour connaître les paramètres et/ou logiciels supplémentaires requis pour votre matrice de stockage particulière.

## Identification du numéro de service

Votre système est identifié par un code de service express et un numéro de service uniques. Le code de service express et le numéro de service se situent à l'avant et à l'arrière du système à côté des modules de contrôleur RAID. Dell utilise ces informations pour acheminer les appels de support au technicien qui convient.



## Informations NOM (Mexique uniquement)

Les informations suivantes sur l'appareil décrit dans ce document sont fournies conformément aux exigences de la Norme Officielle Mexicaine (NOM) :

|                           |                                                                                                                   |
|---------------------------|-------------------------------------------------------------------------------------------------------------------|
| Importateur :             | Dell Inc. de México, S.A. de C.V.<br>Paseo de la Reforma 2620 -11º Piso<br>Col. Lomas Altas<br>11950 México, D.F. |
| Numéro de modèle :        | E03J et E04J                                                                                                      |
| Tension d'alimentation :  | 100 à 240 V CA                                                                                                    |
| Fréquence :               | 50/60 Hz                                                                                                          |
| Consommation électrique : | 8,6 A                                                                                                             |

## Caractéristiques techniques

---

### Lecteurs

---

|                    |                                                                                       |
|--------------------|---------------------------------------------------------------------------------------|
| PowerVault MD3600f | Jusqu'à 12 disques durs SAS remplaçables à chaud<br>3,5 pouces (3,0 Gb/s et 6,0 Gb/s) |
| PowerVault MD3620f | Jusqu'à 24 disques durs SAS remplaçables à chaud<br>2,5 pouces (3,0 Gb/s et 6,0 Gb/s) |

---

### Modules de contrôleur RAID

---

|                                |                                                                                                                                                                       |
|--------------------------------|-----------------------------------------------------------------------------------------------------------------------------------------------------------------------|
| Les modules de contrôleur RAID | <ul style="list-style-type: none"><li>• Un ou deux modules remplaçables à chaud avec capteurs de température</li><li>• 2 Go de mémoire cache par contrôleur</li></ul> |
|--------------------------------|-----------------------------------------------------------------------------------------------------------------------------------------------------------------------|

---

### Connecteurs du panneau arrière (par module de contrôleur RAID)

---

|                  |                                                                                                                                                      |
|------------------|------------------------------------------------------------------------------------------------------------------------------------------------------|
| Connecteurs FC   | Quatre ports d'entrée FC pour connecter des hôtes                                                                                                    |
| Connecteur SAS   | Un port de sortie SAS pour l'extension à un boîtier PowerVault MD12xx supplémentaire<br><b>REMARQUE</b> : le connecteur SAS est compatible SFF-8088. |
| Connecteur série | Un connecteur mini-DIN à 6 broches<br><b>REMARQUE</b> : cette option est réservée au personnel de maintenance.                                       |

---

### Connecteurs du panneau arrière (par module de contrôleur RAID) (suite)

---

Connecteur Ethernet de gestion Un port Ethernet 100/1000 Base-T pour une gestion hors bande du boîtier

**REMARQUE :** les adresses IP de port de gestion par défaut des modules de contrôleur RAID primaire et secondaire sont respectivement 192.168.128.101 et 192.168.128.102. Par défaut, les ports de gestion sont définis sur DHCP. Si le contrôleur ne parvient pas à obtenir une configuration d'adresse IP d'un serveur DHCP au cours d'une période de temps donnée (environ 3 minutes), il utilise par défaut l'adressage IP statique. Pour plus d'informations, voir le *Guide de déploiement*.

---

### Extension

---

PowerVault Série MD1200 Prend en charge jusqu'à 192 disques durs avec n'importe quelle combinaison de boîtiers d'extension PowerVault MD1200 ou PowerVault MD1220. La prise en charge de 192 disques durs est une fonction premium et doit être activée. Le nombre maximum de disques durs pris en charge sans utiliser la fonction premium est 120. La connectivité à chemin redondant fournit des chemins de données redondants à chaque disque dur.

---

### Carte de fond de panier

---

Connecteurs

- 12 ou 24 connecteurs de disque dur SAS
- Deux connecteurs pour les modules de ventilation/alimentation
- Deux ensembles de connecteurs de module de contrôleur RAID
- Un connecteur de panneau de commande pour les voyants avant et le bouton d'identification de système

Capteurs Deux capteurs de température

---

## Voyants

---

|                                                    |                                                                                                                                                                                                                                                                                                                                                                                                                                                                                                                                                                     |
|----------------------------------------------------|---------------------------------------------------------------------------------------------------------------------------------------------------------------------------------------------------------------------------------------------------------------------------------------------------------------------------------------------------------------------------------------------------------------------------------------------------------------------------------------------------------------------------------------------------------------------|
| Panneau avant                                      | <ul style="list-style-type: none"><li>• Un voyant bicolore indiquant l'état du système</li><li>• Deux voyants monochromes (alimentation et mode boîtier)</li></ul> <p><b>REMARQUE</b> : le voyant du mode boîtier ne concerne pas la matrice de stockage PowerVault MD3600f.</p>                                                                                                                                                                                                                                                                                    |
| Support de disque dur                              | <ul style="list-style-type: none"><li>• Un voyant d'activité monochrome</li><li>• Un voyant d'état bichrome par lecteur</li></ul>                                                                                                                                                                                                                                                                                                                                                                                                                                   |
| Bloc d'alimentation/ventilateur de refroidissement | Trois voyants d'état (état du bloc d'alimentation, panne du bloc d'alimentation/ventilateur et état de l'alimentation)                                                                                                                                                                                                                                                                                                                                                                                                                                              |
| Module de contrôleur RAID                          | 14 voyants monochromes : <ul style="list-style-type: none"><li>• Un voyant de panne de batterie</li><li>• Un voyant d'activité de la mémoire cache</li><li>• Un voyant de panne du contrôleur</li><li>• Un voyant d'état de l'alimentation de contrôleur</li><li>• Un voyant système</li><li>• Un voyant d'activité de gestion Ethernet</li><li>• Huit liens ou erreurs FC</li></ul> 2 voyants bichromes : <ul style="list-style-type: none"><li>• Un voyant de panne ou de lien de sortie SAS</li><li>• Un voyant de vitesse de lien Ethernet de gestion</li></ul> |

---

## Commutateur

---

|                                               |                                                                                                                                            |
|-----------------------------------------------|--------------------------------------------------------------------------------------------------------------------------------------------|
| Bouton d'identification du système            | Situé sur le panneau de commande avant, ce bouton sert à localiser un système au sein d'un rack.                                           |
| Sélecteur de mode du boîtier                  | Situé sur le devant du système, ce sélecteur ne s'applique pas à la matrice de stockage PowerVault MD3600f.                                |
| Sélecteur de réinitialisation du mot de passe | Situé sur le panneau arrière du module de contrôleur RAID, ce sélecteur permet de réinitialiser le mot de passe de la matrice de stockage. |

---

**Blocs d'alimentation**

---

**Alimentation secteur (par bloc d'alimentation)**

|                         |                                                                                                                                                                                                 |
|-------------------------|-------------------------------------------------------------------------------------------------------------------------------------------------------------------------------------------------|
| Puissance               | 600 W                                                                                                                                                                                           |
| Tension                 | 100–240 VCA (8,6 A–4,3 A)                                                                                                                                                                       |
| Dissipation thermique   | 100 W                                                                                                                                                                                           |
| Courant d'appel maximal | Dans des conditions de ligne typiques et dans toute la gamme ambiante de fonctionnement du système, l'appel de courant peut atteindre 55 A par bloc d'alimentation pendant un maximum de 10 ms. |

---

**Alimentation disponible pour les disques durs (par logement)**

---

|                    |      |
|--------------------|------|
| PowerVault MD3600f | 25 W |
| PowerVault MD3620f | 12 W |

---

**Alimentation du module de contrôleur RAID (par emplacement)**

---

|                                  |       |
|----------------------------------|-------|
| Consommation de courant maximale | 100 W |
|----------------------------------|-------|

---

**Caractéristiques physiques**

---

**PowerVault MD3600f**

|                                |                        |
|--------------------------------|------------------------|
| Hauteur                        | 8,68 cm (3,41 po.)     |
| Largeur                        | 44,63 cm (17,57 po.)   |
| Profondeur                     | 60,20 cm (23,70 po.)   |
| Poids (configuration maximale) | 29,30 kg (64,6 livres) |
| Poids (vide)                   | 8,84 kg (19,5 livres)  |

**PowerVault MD3620f**

|                                |                        |
|--------------------------------|------------------------|
| Hauteur                        | 8,68 cm (3,41 po.)     |
| Largeur                        | 44,63 cm (17,57 po.)   |
| Profondeur                     | 54,90 cm (21,61 po.)   |
| Poids (configuration maximale) | 24,22 kg (53,4 livres) |
| Poids (vide)                   | 8,61 kg (19 livres)    |

---

**Environnement**

---

**REMARQUE** : pour des informations supplémentaires sur les mesures environnementales liées aux différentes configurations du système, voir [www.dell.com/environmental\\_datasheets](http://www.dell.com/environmental_datasheets).

---

## Environnement *(suite)*

---

### Température

|                   |                                                                                                                                                                                                                                                                           |
|-------------------|---------------------------------------------------------------------------------------------------------------------------------------------------------------------------------------------------------------------------------------------------------------------------|
| En fonctionnement | De 10 à 35 °C (50 à 95 °F) avec un gradient thermique maximal de 10 °C par heure<br><b>REMARQUE :</b> Pour les altitudes supérieures à 900 mètres (2 950 pieds), la température maximale de fonctionnement est réduite de 0,55 °C (1 °F) tous les 168 mètres (550 pieds). |
| Entreposage       | De -40 à 65 °C (-40 à 149 °F) avec un gradient thermique maximal de 20 °C par heure                                                                                                                                                                                       |

### Humidité relative

|                   |                                                                                        |
|-------------------|----------------------------------------------------------------------------------------|
| En fonctionnement | De 20 à 80 % (sans condensation) avec un gradient d'humidité maximal de 10 % par heure |
| Entreposage       | De 5 à 95 % (sans condensation)                                                        |

### Tolérance maximale aux vibrations

|                   |                                                          |
|-------------------|----------------------------------------------------------|
| En fonctionnement | 0,25 G avec un balayage de 3 à 200 Hz pendant 15 minutes |
| Entreposage       | 0,5 G avec un balayage de 3 à 200 Hz pendant 15 minutes  |

### Choc maximal

|                   |                                                                                                                                                 |
|-------------------|-------------------------------------------------------------------------------------------------------------------------------------------------|
| En fonctionnement | Une impulsion de choc de 31 G pendant un maximum de 2,6 ms sur l'axe z positif (une impulsion de chaque côté du système)                        |
| Entreposage       | Six chocs consécutifs de 71 G pendant un maximum de 2 ms en positif et négatif sur les axes x, y et z (une impulsion de chaque côté du système) |

### Altitude

|                   |                                                                                                                                                                                                                                |
|-------------------|--------------------------------------------------------------------------------------------------------------------------------------------------------------------------------------------------------------------------------|
| En fonctionnement | De -16 à 3 048 m (-50 à 10 000 pieds)<br><b>REMARQUE :</b> pour les altitudes supérieures à 900 mètres (2 950 pieds), la température maximale de fonctionnement est réduite de 0,55 °C (1 °F) tous les 168 mètres (550 pieds). |
| Entreposage       | De -16 à 10 600 m (-50 à 35 000 pieds)                                                                                                                                                                                         |

### Contaminants en suspension dans l'air

|        |                                   |
|--------|-----------------------------------|
| Classe | G1 selon la norme ISA-S71.04-1985 |
|--------|-----------------------------------|

Dell PowerVault  
MD3600f und MD3620f  
Speicher-Arrays

Handbuch zum Einstieg  
mit dem System



# Anmerkungen, Vorsichtshinweise und Warnhinweise



**ANMERKUNG:** Eine ANMERKUNG macht auf wichtige Informationen aufmerksam, mit denen Sie den Computer besser einsetzen können.



**VORSICHTSHINWEIS:** Ein VORSICHTSHINWEIS macht darauf aufmerksam, dass bei Nichtbefolgung von Anweisungen eine mögliche Beschädigung der Hardware oder ein Verlust von Daten droht.



**WARNUNG:** Durch eine WARNUNG werden Sie auf Gefahrenquellen hingewiesen, die materielle Schäden, Verletzungen oder sogar den Tod von Personen zur Folge haben können.

---

**Irrtümer und technische Änderungen vorbehalten.**

**© 2011 Dell Inc. Alle Rechte vorbehalten.**

Die Vervielfältigung oder Wiedergabe dieser Materialien in jeglicher Weise ohne vorherige schriftliche Genehmigung von Dell Inc. ist strengstens untersagt.

In diesem Text verwendete Marken: Dell™, das DELL Logo und PowerVault™ sind Marken von Dell Inc. Microsoft®, Windows® und Windows Server® sind Marken oder eingetragene Marken der Microsoft Corporation in den USA und/oder anderen Ländern. Red Hat® und Red Hat Enterprise Linux® sind eingetragene Marken von Red Hat, Inc. in den USA und anderen Ländern. SUSE® ist eine eingetragene Marke von Novell, Inc. in den USA und anderen Ländern. VMware® ist eine eingetragene Marke von VMware, Inc. in den USA und/oder anderen Gerichtsbarkeiten.

Alle anderen in dieser Publikation möglicherweise verwendeten Marken und Handelsbezeichnungen beziehen sich entweder auf die entsprechenden Hersteller und Firmen oder auf deren Produkte. Dell Inc. erhebt keinen Anspruch auf Markenzeichen und Handelsbezeichnungen mit Ausnahme der eigenen.

Vorschriftenmodell Serie E03J und E04J

2011 - 08    Teilenr. NKX4V    Rev. A02



## Bevor Sie beginnen



**ANMERKUNG:** In der vorliegenden Dokumentation bezieht sich der Ausdruck „Dell PowerVault Speicher-Array der Reihe MD3600f“ auf sowohl Dell PowerVault MD3600f als auch auf Dell PowerVault MD3620f. Das Erweiterungsgehäuse für Dell PowerVault der Reihe MD1200 bezieht sich sowohl auf Dell PowerVault MD1200 als auch auf Dell PowerVault MD1220.

Bevor Sie Ihr PowerVault MD3600f Speicher-Array einrichten, sollten Sie einige bewährte Verfahren beachten, um sicherzustellen, dass Ihr Speicher-Gehäuse bei maximaler Effizienz arbeitet und, soweit zutreffend, eine vollständige Redundanz bietet.

- Um die Redundanz zu aktivieren, müssen zwei Fibre Channel (FC) Host-Bus-Adapter (HBA) vom Hostsystem aus mit dem Speicher-Array verbunden sein. Falls die Redundanz nicht erforderlich ist, wird nur ein FC HBA mit dem Speicher-Array verbunden. Eine Liste unterstützter HBA und das *Konfigurieren des Fibre Channel mit dem Dell Speicher-Array der Reihe MD3600f* für Informationen über Installieren von HBA-Laufwerken finden Sie im *Support-Matrix*. Sie können die beiden Dokumente von „[support.dell.com/manuals](http://support.dell.com/manuals)“ herunterladen.
- Bevor Sie Kabel zwischen dem Host-Server und dem Speicher-Array anschließen, sollten Sie alle Ports und Stecker physikalisch kennzeichnen.
- Beachten Sie stets die Vorschriften für das ordnungsgemäße Ein- und Ausschalten, wenn Sie das Netzwerk mit Strom versorgen. Stellen Sie außerdem sicher, dass kritische Netzwerkkomponenten an separate Stromkreise angeschlossen sind.

## Verwenden von SFP-Modulen und Glasfaserkabeln



**ANMERKUNG:** SFP+-Module werden für 8 GB Fibre Channel-Verbindungen unterstützt. Dieses Dokument bezieht sich im Allgemeinen auf SFP.

Jeder Speicher-Controller kann über bis zu vier FC Host-Ports verfügen. Ein Small-Form-Factor-Pluggable (SFP)-Modul wird zum Verbinden eines Host-Ports mit einem Host oder Switch verwendet. Das SFP-Modul wird in den Port eingesteckt; anschließend wird ein Glasfaserkabel in ein SFP-Modul eingesteckt. Das andere Ende des Glasfaserkabels ist an einen optischen Schnittstellenanschluß entweder in einem FC HBA auf einem Host oder einem Switch angeschlossen. SFP-Module sind Laser-Produkte.



**WARNUNG: Datenverarbeitungsumgebungen können Geräte umfassen, die auf Systemverbindungen mit Lasermodulen übertragen, die auf einem Stromniveau oberhalb der Klasse 1 betrieben werden. Schauen Sie nie in das Ende des Glasfaserkabels oder in die geöffnete Buchse.**

### **Richtlinien für die Verwendung von Glasfaserkabeln**

- Führen Sie das Kabel entlang des klappbaren Kabelführungsarms.
- Belassen Sie für Geräte auf Gleitschienen genug Kabellänge, so dass die Kabel beim Verlängern nicht in einem Durchmesser von weniger als 76 mm (3 Zoll) oder in einem Radius von unter 38 mm (1,5 Zoll) gebogen werden, oder dass sie beim Einziehen abgeklemmt werden.
- Führen Sie die Kabel von den Stellen weg, an denen es durch andere Geräte im Rackschrank beschädigt werden kann.
- Verwenden Sie nicht Kabelbinder aus Kunststoff anstelle der mitgelieferten Kabelbänder.
- Ziehen Sie die Kabelbänder nicht übermäßig an oder biegen Sie die Kabel nicht in einem Durchmesser von weniger als 76 mm oder in einem Radius von unter 38 mm.
- Stellen Sie keine schweren Gegenstände auf das Kabel an der Verbindungsstelle. Stellen Sie sicher, dass das Kabel gut unterstützt wird.

### **Richtlinien für die Verwendung von SFP-Modulen**


Das Speicher-Array benötigt SFP-Module. SFP-Module wandeln elektrische in optische Signale um, die für FC-Übertragung zu und von RAID-Controller-Modulen erforderlich sind. Nach der Installation der SFP-Module werden Glasfaserkabel zum Verbinden des Speicher-Arrays mit anderen FC-Geräten verwendet. Lesen Sie vor der Installation von SFP-Modulen und Glasfaserkabeln die folgenden Informationen:

- Verwenden Sie nur von Dell unterstützte SFP-Module mit den PowerVault Speicher-Arrays der Reihe MD3600f. Andere allgemeine SFP-Module werden nicht unterstützt und funktionieren gegebenenfalls mit den Speicher-Arrays nicht.
- Das Gehäuse des SFP-Moduls verfügt über einen eingebauten Führungsfeder, der so konzipiert ist, dass das SFP-Modul nicht falsch eingesteckt werden kann.

- Üben Sie beim Einsetzen eines SFP-Moduls in einen FC-Port minimalen Druck aus. Durch das gewaltsame Einsetzen des SFP-Moduls in einen Port können unter Umständen SFP-Module oder Port beschädigt werden.
- Das SFP-Modul kann installiert oder entfernt werden, während der Port eingeschaltet ist.
- Sie müssen das SFP-Modul vor dem Anschließen eines Glasfaserkabels in einen Port installieren.
- Sie müssen das Glasfaserkabel vom SFP-Modul trennen, bevor Sie das SFP-Modul vom Port entfernen.

 **VORSICHTSHINWEIS: Wenn Sie Geräte handhaben, die empfindlich gegen elektrostatische Aufladung sind, treffen Sie angemessene Vorkehrungen, um Schäden durch das Entladen statischer Elektrizität zu vermeiden.**

## Sonstige hilfreiche Dokumentationen und Medien

 **WARNUNG: Beachten Sie die Sicherheits- und Betriebsbestimmungen, die mit dem Computer geliefert wurden. Garantiebestimmungen können möglicherweise als separates Dokument beigelegt sein.**



**ANMERKUNG:** Sämtliche PowerVault MD3600f-Dokumente sind unter [support.dell.com/manuals](http://support.dell.com/manuals) verfügbar.

- In der zusammen mit der Rack-Lösung gelieferten Rack-Dokumentation ist beschrieben, wie das System in einem Rack installiert wird.
- Im *Hardware-Benutzerhandbuch* erhalten Sie Informationen über Systemfunktionen, zur Fehlerbehebung am System und zum Installieren oder Austauschen von Systemkomponenten.
- Im *Bereitstellungshandbuch* erhalten Sie Informationen zum Installieren und Konfigurieren der Software und Hardware.
- Im *CLI-Handbuch* erhalten Sie Informationen zum Verwalten und Konfigurieren Ihres Speicher-Arrays über die Befehlszeilenschnittstelle (CLI).
- Im *SMI-S-Handbuch für Programmierer* erhalten Sie Informationen zum Verwenden des SMI-S-Anbieters und zur SMI-S-Programmierung.

- Alle im Lieferumfang des Systems enthaltenen Medien mit Dokumentation und Hilfsmitteln zur Konfiguration und Verwaltung des Systems, insbesondere in Bezug auf Betriebssystem, Systemverwaltungssoftware, System-Updates und mit dem System erworbene Komponenten.



**ANMERKUNG:** Wenn auf der Website [support.dell.com/manuals](https://support.dell.com/manuals) aktualisierte Dokumente vorliegen, lesen Sie diese immer zuerst, denn frühere Informationen werden damit gegebenenfalls ungültig.

## Unterstützte Betriebssysteme

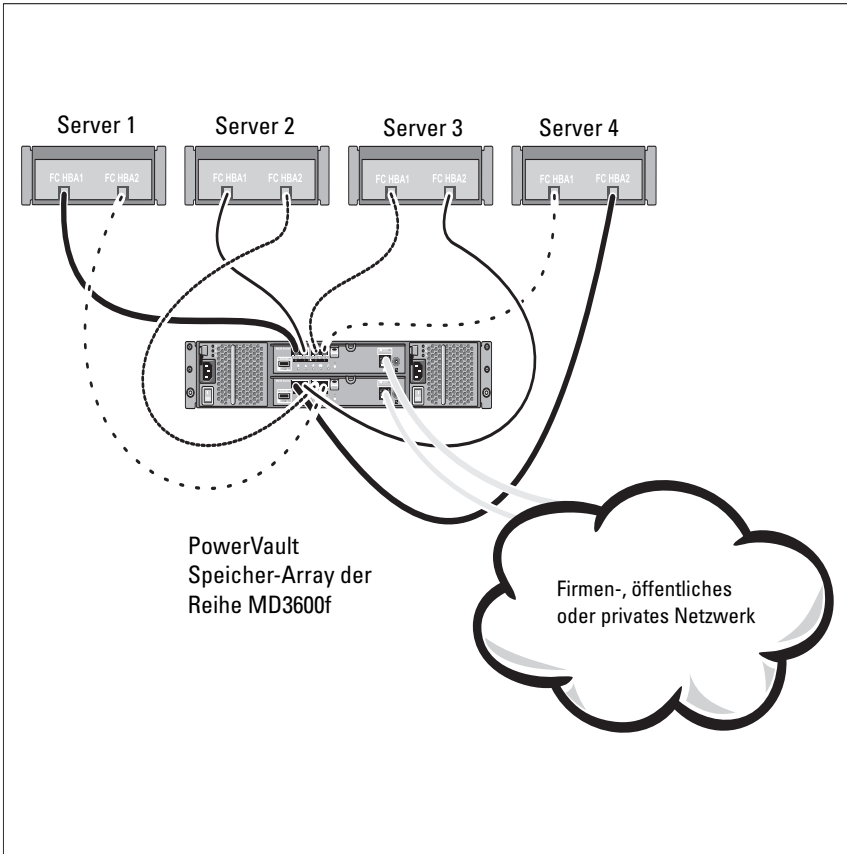
- Microsoft Windows Server
- Red Hat Enterprise Linux
- SUSE Linux Enterprise Server
- VMware



**ANMERKUNG:** Aktuelle Informationen zu den unterstützten Betriebssystemversionen finden Sie in der *Matrix der unterstützten Systeme* unter [support.dell.com/manuals](https://support.dell.com/manuals).

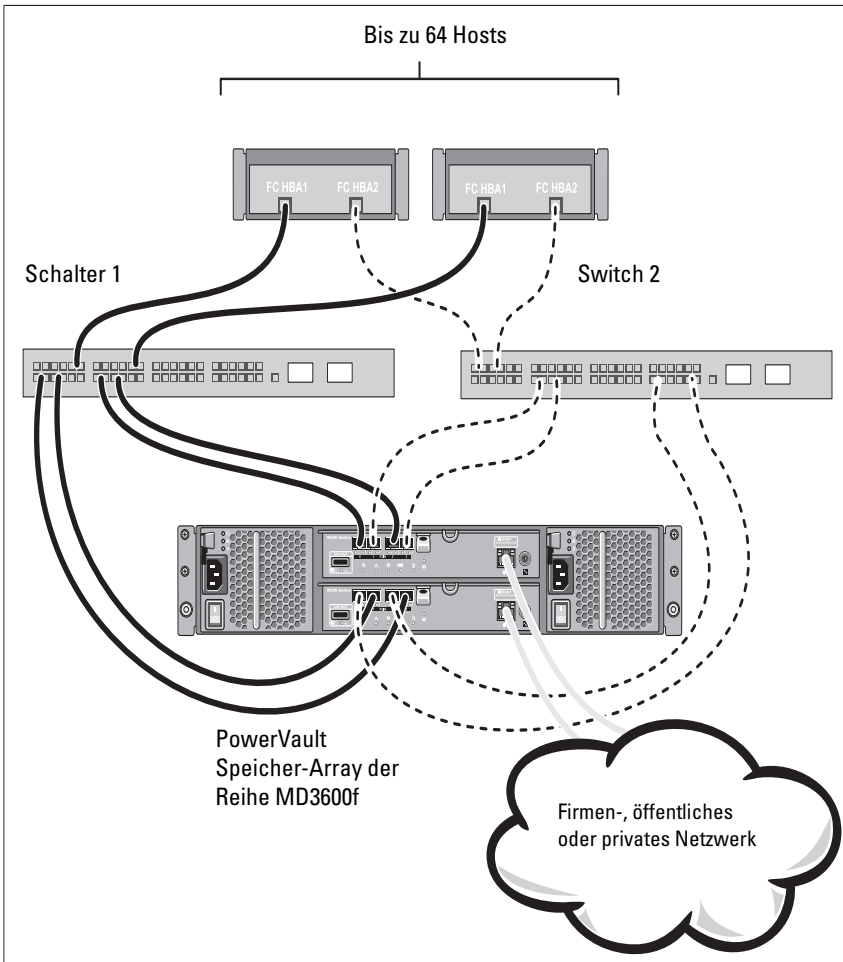
# Allgemeine Konfigurationen

## Verkabeln der direkt angeschlossenen Hosts



## Verkabeln der über ein SAN-Netzwerk angeschlossenen Hosts

Die folgende Abbildung stellt ein redundantes System dar. Zum Beispiel, ein in einer Remote-Replikationsumgebung verwendetes System.



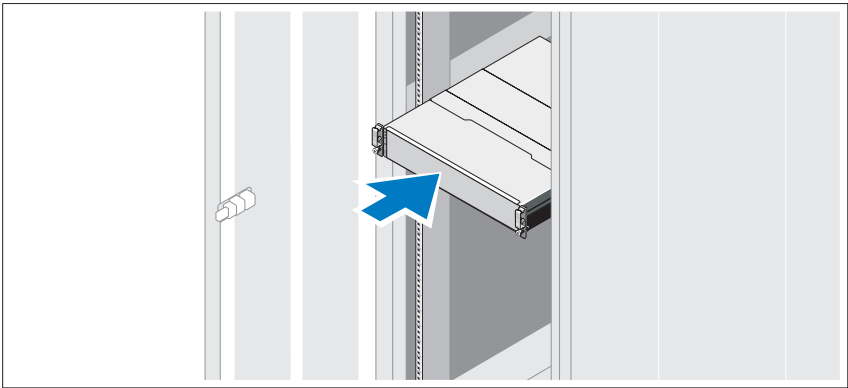
# Installation und Konfiguration

 **WARNUNG:** Lesen Sie vor dem Ausführen der folgenden Schritte die Sicherheitshinweise für das System.


## Auspacken des Systems

Nehmen Sie das System aus der Verpackung heraus, und vergleichen Sie die einzelnen Teile mit der mitgelieferten Packliste.

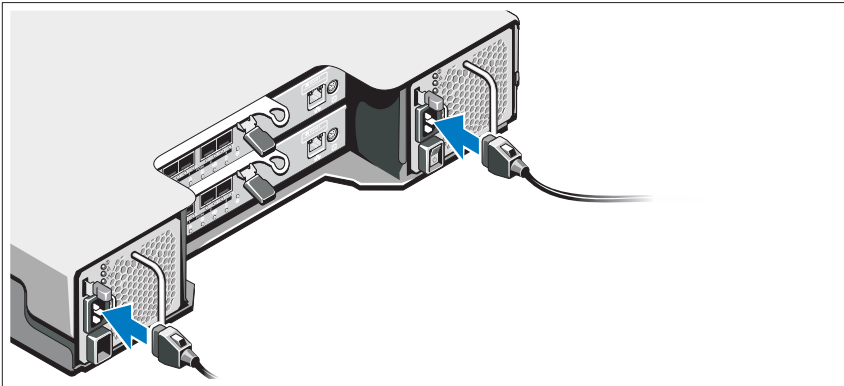
## Installation der Schienen und des Systems in einem Rack



Lesen Sie vor der Montage der Schienen und dem Einbau des Systems im Rack zunächst die mit dem System gelieferten Sicherheitshinweise und die Installationsanleitung für das Rack.

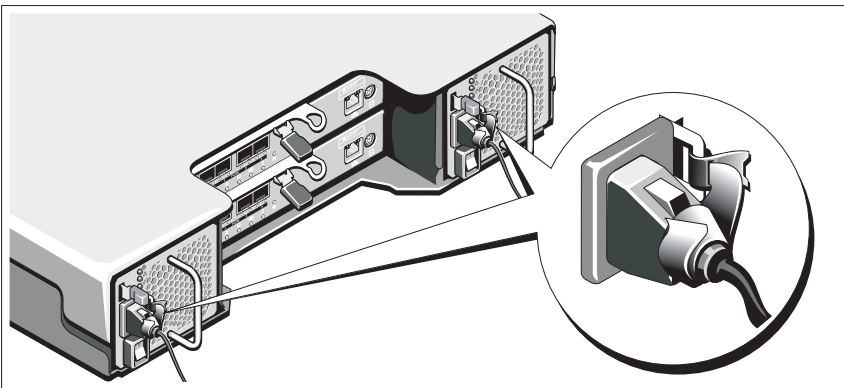
 **ANMERKUNG:** Aus Gründen der Stabilität wird empfohlen, das PowerVault Speicher-Array der Reihe MD3600f unten im Rack zu installieren und die Erweiterungsgehäuse für den PowerVault der Reihe MD1200 darüber.

## Anschließen des/der Netzstromkabel(s)



Stellen Sie sicher, dass der Netzschalter auf der OFF (AUS)-Einstellung ist, bevor Sie die Stromversorgungskabel verbinden. Verbinden Sie das bzw. die Stromversorgungskabel mit dem System.

## Befestigen des/der Netzstromkabel(s)



Befestigen Sie die Kabel fest mit der Halterung, und verwenden Sie dazu das mitgelieferte Band.

Stecken Sie jedes Stromversorgungskabel in eine geerdete Steckdose oder an eine separate Spannungsquelle, etwa eine unterbrechungsfreien Stromversorgung (USV) oder einem Stromverteiler (PDU). Jedes Netzteil muss an einen separaten Stromkreis angeschlossen werden.




## Installieren und Entfernen von SFP-Modulen


So installieren Sie SFP-Module:

- 1 Falls alle FC EIN-Ports über ein installiertes SFP-Modul verfügen, gehen Sie zu Schritt 5.
- 2 Nehmen Sie das SFP-Modul aus der antistatischen Verpackung heraus.
- 3 Entfernen Sie die Schutzkappe vom SFP-Modul und SFP-Port. Bewahren Sie die Schutzklappen für die künftige Verwendung auf.
- 4 Führen Sie das SFP-Modul in den Host-Port ein, bis es einrastet.
- 5 Schließen Sie ein FC-Kabel an. Siehe „Installieren und Entfernen von Fibre Channel-Kabeln“ auf Seite 71.

So entfernen Sie SFP-Module:

- 1 Trennen Sie das FC-Kabel vom SFP-Modul. Siehe „Installieren und Entfernen von Fibre Channel-Kabeln“ auf Seite 71.  
 **ANMERKUNG:** Um eine Beschädigung des Kabels oder der SFP-Module zu vermeiden, trennen Sie das FC-Kabel, bevor Sie das SFP-Modul entfernen.
- 2 Entsperren Sie den SFP-Modulverschluss. Für SFP-Module sind das Drathalterungen; entsperren Sie den SFP-Modulverschluss, indem Sie den Drahtverschluss um 90° nach außen ziehen.
- 3 Mit dem SFP-Modulverschluss in der entsperrten Position, entfernen Sie das SFP-Modul. Für SFP-Module sind das Drathalterungen; fassen Sie den Drahtverschluss an und schieben Sie das SFP-Modul aus dem Port heraus.
- 4 Bringen Sie die Schutzkappe auf das SFP-Modul und den Host-Port an.
- 5 Bewahren Sie das SFP-Modul in einer antistatischen Verpackung auf.

## Installieren und Entfernen von Fibre Channel-Kabeln

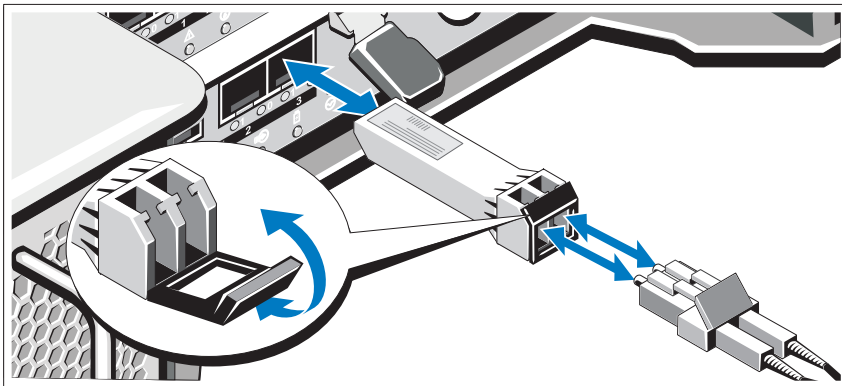
 **WARNUNG:** Datenverarbeitungsumgebungen können Geräte umfassen, die auf Systemverbindungen mit Lasermodulen übertragen, die auf einem Stromniveau oberhalb der Klasse 1 betrieben werden. Schauen Sie nie in das Ende des Glasfaserkabels oder in die geöffnete Buchse.

Bevor Sie ein FC-Kabel installieren, lesen Sie bitte „Richtlinien für die Verwendung von Glasfaserkabeln“ auf Seite 64.

So installieren Sie ein FC-Kabel:

- 1 Entfernen Sie gegebenenfalls die Schutzkappe vom SFP-Modul und bewahren Sie die Schutzklappe für die spätere Verwendung auf.

- 2** Entfernen Sie die zwei Schutzklappen von einem Kabelende und bewahren Sie sie für die spätere Verwendung auf.
- 3** Stecken Sie das Kabel in ein SFP-Modul ein, das im Speicher-Array installiert ist. Der Kabelstecker ist kodiert, um eine korrekte Installation sicherzustellen. Halten Sie den Stecker fest und schieben Sie ihn ins Kabel, bis er einrastet.
- 4** Entfernen Sie die zwei Schutzklappen vom anderen Kabelende und bewahren Sie sie für die spätere Verwendung auf.
- 5** Schließen Sie dieses Kabelende an eines der folgenden Geräte an:
  - Ein SFP-Modul, das in einem FC-Switch-Port installiert ist
  - Ein FC HBA-Port

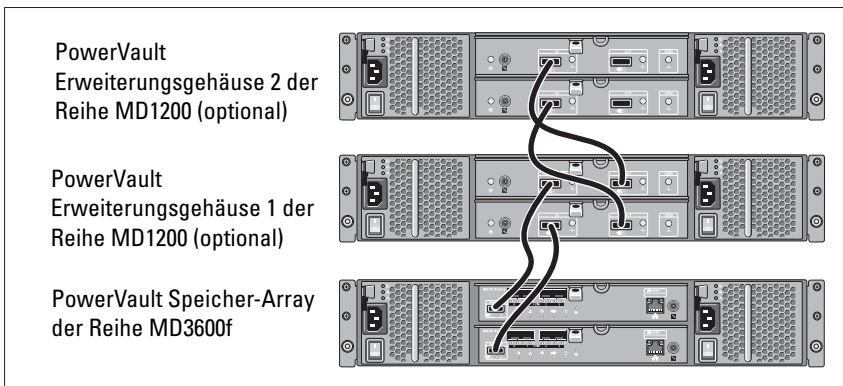


So entfernen Sie ein FC-Kabel:

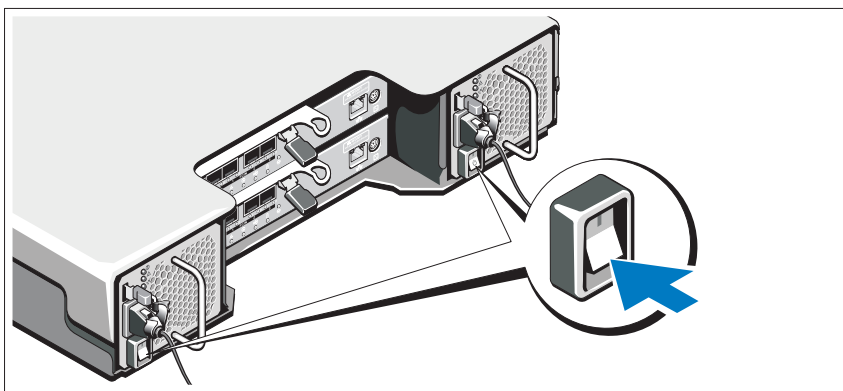
- 1** Drücken und halten Sie den Hebel, um die Verriegelungen vor dem Entfernen des Kabels vom SFP-Modul zu entsperren. Stellen Sie sicher, dass die Hebel beim Entfernen des Kabels in der geöffneten Position sind. Fassen Sie beim Entfernen des Kabels die Kunststoffflasche des SFP-Moduls nicht an.
- 2** Drücken Sie am Kabelende, das mit dem SFP-Modul oder HBA verbunden wird, den Hebel nach unten und halten Sie ihn fest, um die Verchlüsse zu lösen.
- 3** Während Sie den Kabelhebel nach unten drücken, ziehen Sie am Stecker, um das Kabel vom SFP-Modul zu entfernen.

- 4 Bringen Sie die Schutzkappen auf die Kabelenden an.
- 5 Bringen Sie die Schutzkappe auf das SFP-Modul an.

## Verkabeln des Erweiterungsgehäuses



## Einschalten des Speicher-Arrays




Schalten Sie die Komponenten in der folgenden Reihenfolge ein:

- 1 FC-Switches (falls verwendet)
- 2 Erweiterungsgehäuse für MD1200 Series (falls verwendet)



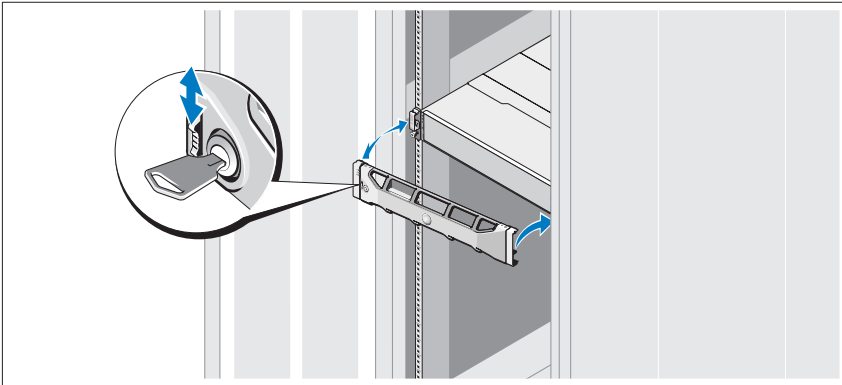
**ANMERKUNG:** Stellen Sie vor dem Einschalten des Speicher-Arrays sicher, dass die Status-LED des Erweiterungsgehäuses blau leuchtet.

### 3 Speicher-Array der Reihe MD3600f

 **ANMERKUNG:** Stellen Sie vor dem Einschalten der Host-Server sicher, dass die Status-LED des Speicher-Arrays blau leuchtet.


### 4 Host-Server

## Befestigen der Blende



Befestigen Sie die Frontblende (optional).

## Installieren der HBA und Treiber

 **ANMERKUNG:** Stellen Sie sicher, dass Sie das Dokument *Konfigurieren des Fibre Channel mit dem Dell Speicher-Array der Reihe MD3600f* gelesen haben, bevor Sie fortfahren. Ausführliche Anweisungen zum Installieren der MD-Storage-Software, zum Einrichten des Gehäuses und zum Durchführen von Schritten im Anschluss an die Installation finden Sie im *Bereitstellungshandbuch*.

- 1 HBA physisch installieren.
- 2 Kabel anschließen.
- 3 Installieren Sie die HBA-Laufwerke und die HBA Patches/Hotfixes für das Betriebssystem.
- 4 Stellen Sie sicher, dass die empfohlenen HBA-Einstellungen verwendet werden.

## Installieren der MD-Storage-Software



**ANMERKUNG:** Ausführliche Anweisungen zum Installieren der MD-Storage-Software, zum Einrichten des Gehäuses und zum Durchführen von Schritten im Anschluss an die Installation finden Sie im *Bereitstellungshandbuch*.

Die MD-Storage-Manager-Anwendung konfiguriert, verwaltet und überwacht das Speicher-Array. So installieren Sie die MD Storage-Software:

- 1 Legen Sie das Resource-Medium der MD-Reihe ein.

Je nach Betriebssystem startet das Installationsprogramm möglicherweise automatisch. Wenn das Installationsprogramm nicht automatisch startet, navigieren Sie zum Root-Verzeichnis des Installationsmediums (oder zum heruntergeladenen Image für das Installationsprogramm), und führen Sie die Datei `md_launcher.exe` aus. Rufen Sie bei Linux-basierten Systemen das Stammverzeichnis des Ressourcen-Datenträgers auf und führen Sie die Datei `autorun` aus.



**ANMERKUNG:** Standardmäßig wird durch Red Hat Enterprise Linux (RHEL) das Resource-Medium mit der Option `–noexec mount` bereitgestellt, die das Ausführen der selbstextrahierenden Programmdatei nicht zulässt. Wenn Sie diese Einstellung ändern möchten, lesen Sie die entsprechenden Informationen in der *Info-Datei*, die Sie im Root-Verzeichnis des Installationsmediums finden.

- 2 Wählen Sie die Option **MD-Storage-Software installieren**.
- 3 Lesen Sie den Lizenzvertrag, und stimmen Sie dem Vertrag zu.
- 4 Wählen Sie eine der folgenden Installationsoptionen aus dem Drop-Down-Menü **Installationsart** aus:
  - **Vollständig (empfohlen)** – Mit dieser Option werden die MD-Storage-Manager-Software (Client), der hostbasierte Speicher-Agent, der Multipath-Treiber und die Hardwarekomponenten installiert.
  - **Nur Host** – Mit dieser Option werden nur der hostbasierte Speicher-Agent und die Multipath-Treiber installiert.
  - **Verwaltung** – Mit dieser Option werden die Verwaltungssoftware und die Hardwarekomponenten installiert.
  - **Benutzerdefiniert** – Mit dieser Option können Sie bestimmte Komponenten auswählen.

- 5 Wählen Sie die MD-Speicher-Array-Modelle aus, die Sie einrichten möchten, damit sie als Datenspeicher für diesen Hostserver verwendet werden können.
- 6 Legen Sie fest, ob die Ereignisüberwachung automatisch gestartet werden soll, wenn der Hostserver neu gestartet wird, oder ob Sie sie manuell starten möchten.



**ANMERKUNG:** Diese Option ist nur im Rahmen der Installation der Windows-Client-Software verfügbar.

- 7 Bestätigen Sie den Installationsort, und klicken Sie auf **Installieren**.
- 8 Starten Sie den Hostserver nach erfolgreicher Installation nach Aufforderung neu.
- 9 Starten Sie den **MD Storage Manager**, und ermitteln Sie das/die Array(s).



**ANMERKUNG:** Wenn DHCP (Dynamic Host Configuration Protocol) im Netzwerk, in dem die Verwaltungsports des MD-Speicher-Arrays angeschlossen sind, verwendet wird, wird es empfohlen, dass Sie IPv6 auf der Verwaltungstation aktivieren, um das/die Speicher-Array(s) zu erkennen.

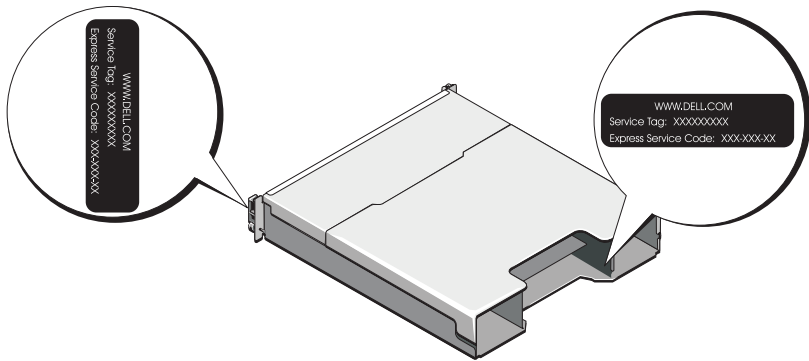
- 10 Konfigurieren Sie Single-Initiator- und Mehrziel-Zonen auf Ihren Fibre Channel-Switches. Weitere Informationen über Zonen finden Sie im *Bereitstellungshandbuch*.
- 11 Aktivieren Sie, falls zutreffend, alle Erweiterungsfunktionen, die im Lieferumfang Ihres Speicher-Arrays enthalten sind. Wenn Sie Erweiterungsfunktionen erworben haben, finden Sie weitere Informationen auf der gedruckten Aktivierungskarte, die im Lieferumfang Ihres Speicher-Arrays enthalten ist.



**ANMERKUNG:** Das Installationsprogramm für den **MD Storage Manager** installiert die für den Betrieb Ihres Speicher-Arrays erforderlichen Treiber, die Firmware und die Betriebssystem-Patches/-Hotfixes automatisch. Sie können diese Treiber und die Firmware auch von der Website [support.dell.com](http://support.dell.com) herunterladen. Weitere für Ihren speziellen Speicher-Array verfügbare Einstellungen und/oder Software finden Sie außerdem in der *Support-Matrix* unter [support.dell.com/manuals](http://support.dell.com/manuals).

## Ausfindig machen der Service-Tag-Nummer

Ihr System wird durch einen eindeutigen Express-Servicecode und eine eindeutige Service-Tag-Nummer identifiziert. Der Express-Servicecode und die Service-Tag-Nummer befinden sich an der Rückseite des Systems, neben den RAID-Controller-Modulen. Mithilfe dieser Informationen kann Dell Support-Anrufe an den richtigen Mitarbeiter weiterleiten.



## NOM-Informationen (nur Mexiko)

Die folgenden Informationen beziehen sich auf die in diesem Dokument beschriebenen Geräte und gründen auf der mexikanischen Norm NOM:

|                |                                                                                                                   |
|----------------|-------------------------------------------------------------------------------------------------------------------|
| Importeur:     | Dell Inc. de México, S.A. de C.V.<br>Paseo de la Reforma 2620 -11º Piso<br>Col. Lomas Altas<br>11950 México, D.F. |
| Modellnummer:  | E03J und E04J                                                                                                     |
| Netzspannung:  | 100-240 V Wechselspannung                                                                                         |
| Frequenz:      | 50/60 Hz                                                                                                          |
| Stromaufnahme: | 8,6 A                                                                                                             |

# Technische Daten

---

## Laufwerke

---

|                    |                                                                                |
|--------------------|--------------------------------------------------------------------------------|
| PowerVault MD3600f | Bis zu 12 Hot-Swap-fähige 3,5-Zoll-SAS-Festplatten (3,0 Gbit/s und 6,0 Gbit/s) |
| PowerVault MD3620f | Bis zu 24 Hot-Swap-fähige 2,5-Zoll-SAS-Festplatten (3,0 Gbit/s und 6,0 Gbit/s) |

---

## RAID-Controller-Module

---

|                        |                                                                                                                                                   |
|------------------------|---------------------------------------------------------------------------------------------------------------------------------------------------|
| RAID-Controller-Module | <ul style="list-style-type: none"><li>• Ein oder zwei Hot-Swap-fähige Module mit Temperatursensoren</li><li>• 2-GB-Cache pro Controller</li></ul> |
|------------------------|---------------------------------------------------------------------------------------------------------------------------------------------------|

---

## Rückseitige Anschlüsse (pro RAID-Controller-Modul)

---

|                               |                                                                                                                                                                                                                                                                                                                                                                                                                                                                                                                                                                                                                                                             |
|-------------------------------|-------------------------------------------------------------------------------------------------------------------------------------------------------------------------------------------------------------------------------------------------------------------------------------------------------------------------------------------------------------------------------------------------------------------------------------------------------------------------------------------------------------------------------------------------------------------------------------------------------------------------------------------------------------|
| FC-Anschlüsse                 | Vier FC-IN-Ports für den Anschluss von Hosts                                                                                                                                                                                                                                                                                                                                                                                                                                                                                                                                                                                                                |
| SAS-Anschluss                 | Ein SAS-OUT-Port für den Anschluss eines zusätzlichen PowerVault MD12xx-Gehäuses<br><b>ANMERKUNG:</b> Der SAS-Anschluss ist SFF-8088-kompatibel.                                                                                                                                                                                                                                                                                                                                                                                                                                                                                                            |
| Serieller Anschluss           | Ein 6-poliger Mini-DIN-Anschluss<br><b>ANMERKUNG:</b> Nur für den Technischen Support.                                                                                                                                                                                                                                                                                                                                                                                                                                                                                                                                                                      |
| Ethernet-Verwaltungsanschluss | Ein 100/1000-Base-T-Port-Ethernet-Anschluss für die bandexterne Verwaltung des Gehäuses<br><b>ANMERKUNG:</b> Die IP-Adressen für die standardmäßige Verwaltungsschnittstelle der primären und sekundären RAID-Controller-Module lauten 192.168.128.101 und 192.168.128.102. Die Verwaltungsschnittstellen sind standardmäßig auf DHCP eingestellt. Wenn der Controller nicht in der Lage ist, die IP-Adresskonfiguration innerhalb eines festgelegten Zeitraums (etwa drei Minuten) von einem DHCP-Server abzurufen, greift er standardmäßig auf die statische IP-Adressierung zurück. Weitere Informationen finden Sie im <i>Bereitstellungshandbuch</i> . |



---

## Erweiterung

---

PowerVault der Reihe MD1200 Unterstützt bis zu 192 Festplatten mit einer beliebigen Kombination aus PowerVault MD1200- und PowerVault MD1220-Erweiterungsgehäusen. Die Unterstützung von 192 Festplatten ist eine Erweiterungsfunktion und muss daher aktiviert werden. Ohne Erweiterungsfunktion werden maximal 120 Festplatten unterstützt.

Redundante Pfadkonnektivität liefert redundante Datenpfade zu jedem Festplattenlaufwerk.

---

## Rückwandplatine

---

Anschlüsse

- Zwölf oder 24 SAS-Festplattenanschlüsse
- Zwei Anschlüsse für Netzteil-/Lüftermodule
- Zwei Sätze RAID-Controller-Modul-Anschlüsse
- Ein Anschluss für das Front-Bedienfeld mit LEDs und Systemidentifizierungstaste

Sensoren Zwei Temperaturfühler

---

## LED-Anzeigen

---

Frontblende

- Eine zweifarbig LED-Anzeige für den Systemstatus
- Zwei einfarbige LED-Anzeigen für Stromversorgung und Split-Betrieb

**ANMERKUNG:** Die Gehäusemodus-LED gilt nicht für das PowerVault Speicher-Array der Reihe MD36xxi.

Festplattenträger

- Eine einfarbige Aktivitäts-LED
- Eine zweifarbig LED-Statusanzeige je Laufwerk

Netzteil/Lüfter Drei LED-Statusanzeigen für Netzteilstatus, Netzteil-/Lüfterfehler und Wechselstromstatus

---

**LED-Anzeigen (fortgesetzt)**

---

|                       |                                                                                                                                                                                                                                                                                                                                                                                                                                                                                                                                                    |
|-----------------------|----------------------------------------------------------------------------------------------------------------------------------------------------------------------------------------------------------------------------------------------------------------------------------------------------------------------------------------------------------------------------------------------------------------------------------------------------------------------------------------------------------------------------------------------------|
| RAID-Controller-Modul | <p>14 einfarbige LEDs:</p> <ul style="list-style-type: none"><li>• Eine Akkufehler-LED</li><li>• Eine Cache-Aktivitäts-LED</li><li>• Eine Controller-Fehler-LED</li><li>• Eine Controller-Stromversorgungs-LED</li><li>• Eine Systemidentifizierungs-LED</li><li>• Eine Ethernet-Verwaltungsaktivitäts-LED</li><li>• Acht FC-Link oder Fehler</li></ul> <p>2 zweifarbige LEDs:</p> <ul style="list-style-type: none"><li>• Eine SAS-OUT-Verbindungs- oder Fehler-LED</li><li>• Eine Ethernet-Verwaltungs-Verbindungsgeschwindigkeits-LED</li></ul> |
|-----------------------|----------------------------------------------------------------------------------------------------------------------------------------------------------------------------------------------------------------------------------------------------------------------------------------------------------------------------------------------------------------------------------------------------------------------------------------------------------------------------------------------------------------------------------------------------|

---

**Schalter**

---

|                                         |                                                                                                                                             |
|-----------------------------------------|---------------------------------------------------------------------------------------------------------------------------------------------|
| Systemidentifikationstaste              | Befindet sich auf dem Bedienfeld an der Vorderseite. Dieser Schalter wird verwendet, um ein System innerhalb eines Racks zu identifizieren. |
| Schalter für Gehäusebetriebsart         | Befindet sich an der Vorderseite des Systems. Dieser Schalter gilt nicht für das PowerVault Speicher-Array der Reihe MD3600f.               |
| Schalter zum Zurücksetzen des Kennworts | Befindet sich an der Rückseite des RAID-Controller-Moduls. Mithilfe dieses Schalters können Sie das Speicher-Array-Kennwort zurücksetzen.   |

---

**Netzteile**

---

## Wechselstromversorgung (je Netzteil)

|                          |                                                                                                                                                                                               |
|--------------------------|-----------------------------------------------------------------------------------------------------------------------------------------------------------------------------------------------|
| Leistung                 | 600 W                                                                                                                                                                                         |
| Spannung                 | 100–240 V Wechselstrom (4,3-8,6 A)                                                                                                                                                            |
| Wärmeabgabe              | 100 W                                                                                                                                                                                         |
| Maximaler Einschaltstrom | Unter typischen Leitungsbedingungen und über den gesamten Umgebungsbetriebsbereich des Systems kann der Einschaltstrom 55 A pro Netzteil über einen Zeitraum von 10 ms oder kürzer erreichen. |

---

**Verfügbare Leistung für Festplatten (pro Schacht)**

---

|                    |      |
|--------------------|------|
| PowerVault MD3600f | 25 W |
| PowerVault MD3620f | 12 W |

---

**Stromverbrauch RAID-Controller-Modul (pro Steckplatz)**

---

|                          |       |
|--------------------------|-------|
| Maximaler Stromverbrauch | 100 W |
|--------------------------|-------|

---

**Abmessungen und Gewicht**

---

## PowerVault MD3600f

|                                  |          |
|----------------------------------|----------|
| Höhe                             | 8,68 cm  |
| Breite                           | 44,63 cm |
| Tiefe                            | 60,20 cm |
| Gewicht (maximale Konfiguration) | 29,30 kg |
| Gewicht (leer)                   | 8,84 kg  |

## PowerVault MD3620f

|                                  |          |
|----------------------------------|----------|
| Höhe                             | 8,68 cm  |
| Breite                           | 44,63 cm |
| Tiefe                            | 54,90 cm |
| Gewicht (maximale Konfiguration) | 24,22 kg |
| Gewicht (leer)                   | 8,61 kg  |

---

## Umgebungsbedingungen

---

**ANMERKUNG:** Weitere Informationen zu Umgebungsbedingungen bei verschiedenen Systemkonfigurationen finden Sie unter [www.dell.com/environmental\\_datasheets](http://www.dell.com/environmental_datasheets).

### Temperatur

Betrieb 10 °C bis 35 °C mit einem maximalen Temperaturanstieg von 10 °C pro Stunde

**ANMERKUNG:** Bei Höhen über 900 Meter verringert sich die maximale Betriebstemperatur um 1 °C/300 m.

Lagerung -40° bis 65 °C mit einem max. Temperaturgradienten von 20 °C pro Stunde

### Relative Luftfeuchtigkeit

Betrieb 20% bis 80% (nicht-kondensierend) mit einem maximalen Luftfeuchtgradienten von 10% pro Stunde

Lagerung 5 % bis 95 % (nicht kondensierend)

### Zulässige Erschütterung

Betrieb 0,25 G bei 3-200 Hz, 15 Min. lang

Lagerung 0,5 G bei 3-200 Hz, 15 Min. lang

### Zulässige Stoßeinwirkung

Betrieb Ein Stoß von 31 G in der positiven Z-Achse (ein Stoß auf jeder Seite des Systems) über einen Zeitraum von 2,6 ms in der Betriebsrichtung.

Lagerung Sechs nacheinander ausgeführte Stöße mit 71 G von bis zu 2 ms Dauer in positiver und negativer X-, Y- und Z-Richtung (ein Stoß auf jeder Seite des Systems)

### Höhe über NN

Betrieb -16 bis 3 048 m

**ANMERKUNG:** Bei Höhen über 900 Meter verringert sich die maximale Betriebstemperatur um 1 °C/300 m.

Lagerung -16 bis 10 600 m

### Luftverschmutzungsstufe

Klasse G1 gemäß ISA-S71.04-1985

Συστοιχίες αποθήκευσης  
Dell PowerVault  
MD3600f και MD3620f

Τα πρώτα βήματα  
με το σύστημά σας

Μοντέλο κατά τους κανονισμούς: Σειρά E03J και E04J



# Σημειώσεις, ειδοποιήσεις και προσοχές



**ΣΗΜΕΙΩΣΗ:** Η ΣΗΜΕΙΩΣΗ υποδεικνύει σημαντικές πληροφορίες που σας βοηθούν να χρησιμοποιείτε καλύτερα τον υπολογιστή σας.



**ΠΡΟΣΟΧΗ:** Η ΠΡΟΣΟΧΗ υποδηλώνει δυνητική υλική ζημιά ή απώλεια δεδομένων, αν δεν ακολουθούνται οι οδηγίες.



**ΠΡΟΕΙΔΟΠΟΙΗΣΗ:** Η ΠΡΟΕΙΔΟΠΟΙΗΣΗ υποδηλώνει δυνητική υλική ζημιά, σωματική βλάβη ή θάνατο.

---

**Οι πληροφορίες αυτής της δημοσίευσης υπόκεινται σε αλλαγές χωρίς ειδοποίηση.  
© 2011 Dell Inc. Με επιφύλαξη κάθε νόμιμου δικαιώματος.**

Απαγορεύεται αυστηρώς η αναπαραγωγή αυτών των υλικών με οποιονδήποτε τρόπο χωρίς την έγγραφη άδεια της Dell Inc.

Εμπορικά σήματα που χρησιμοποιούνται στο παρόν κείμενο: Η ονομασία Dell™, το λογότυπο DELL και η ονομασία PowerVault™ είναι εμπορικά σήματα της Dell Inc. Οι ονομασίες Microsoft® και Windows Server® είναι είτε εμπορικά σήματα είτε σήματα κατατεθέντα της Microsoft Corporation στις Ηνωμένες Πολιτείες ή/και σε άλλες χώρες. Οι ονομασίες Red Hat® και Red Hat Enterprise Linux® είναι σήματα κατατεθέντα της Red Hat, Inc. στις Ηνωμένες Πολιτείες και σε άλλες χώρες. Η ονομασία SUSE® είναι σήμα κατατεθέν της Novell, Inc. στις Ηνωμένες Πολιτείες και σε άλλες χώρες. Η ονομασία VMware® είναι σήμα κατατεθέν της VMware, Inc. στις Ηνωμένες Πολιτείες ή/και σε άλλες περιοχές.

Άλλα εμπορικά σήματα και εμπορικές ονομασίες μπορεί να χρησιμοποιούνται στην παρούσα έκδοση αναφερόμενα είτε στους κατόχους των σημάτων και των ονομάτων είτε στα προϊόντα τους. Η Dell Inc. παραιτείται από κάθε δικαίωμα σε εμπορικά σήματα και εμπορικές ονομασίες τρίτων.

Μοντέλο κατά τους κανονισμούς: Σειρά E03J και E04J

2011 - 08 P/N NKX4V Αναθ. A02

## Πριν ξεκινήσετε



**ΣΗΜΕΙΩΣΗ:** Στο έγγραφο αυτό, η συστοιχία αποθήκευσης Dell PowerVault σειρά MD3600f αναφέρεται τόσο στο Dell PowerVault MD3600f όσο και στο Dell PowerVault MD3620f. Το κουτί επέκτασης Dell PowerVault σειρά MD1200 αναφέρεται τόσο στο Dell PowerVault MD1200 όσο και στο Dell PowerVault MD1220.

Πριν ρυθμίσετε τη συστοιχία αποθήκευσης PowerVault σειρά MD3600f, θα πρέπει να λάβετε υπόψη σας διάφορες βέλτιστες πρακτικές, για να διασφαλίσετε ότι η συστοιχία αποθήκευσης θα λειτουργεί με τη μέγιστη δυνατή αποδοτικότητα και θα προσφέρει πλήρη δυνατότητα πλεονασμού (εάν απαιτείται).

- Για την ενεργοποίηση του πλεονασμού, δύο προσαρμογείς Fibre Channel (FC) κεντρικού υπολογιστή (HBA) θα πρέπει να συνδέονται από το κεντρικό σύστημα στη συστοιχία αποθήκευσης. Σε περίπτωση που δεν απαιτείται πλεονασμός, μόνο ένας FC HBA συνδέεται με τη συστοιχία αποθήκευσης. Ανατρέξτε στην ενότητα *Support Matrix* για μία λίστα υποστηριζόμενων HBA και στην ενότητα *Ρύθμιση οπτικών ινών με συστοιχία αποθήκευσης Dell σειρά MD3600f* για πληροφορίες σχετικά με την εγκατάσταση προγραμμάτων οδήγησης για τους HBA. Μπορείτε να κάνετε λήψη των δύο εγγράφων από την τοποθεσία [support.dell.com/manuals](http://support.dell.com/manuals).
- Πριν συνδέσετε τυχόν καλώδια μεταξύ του διακομιστή κεντρικού υπολογιστή και της συστοιχίας αποθήκευσης, ονομάστε κάθε θύρα και κάθε υποδοχή.
- Ακολουθείτε πάντα τις σωστές διαδικασίες έναρξης και τερματισμού λειτουργίας στο δίκτυο. Θα πρέπει επίσης να διασφαλίσετε ότι σημαντικά στοιχεία του δικτύου βρίσκονται σε διαφορετικά ηλεκτρικά κυκλώματα.

## Χρήση μονάδων SFP και καλωδίων οπτικών ινών



**ΣΗΜΕΙΩΣΗ:** Οι μονάδες SFP+ υποστηρίζονται για συνδέσεις οπτικής ίνας 8 GB. Το έγγραφο αυτό αναφέρεται γενικά σε SFP.

Κάθε ελεγκτής αποθήκευσης μπορεί να διαθέτει μέχρι και τέσσερις θύρες FC κεντρικού υπολογιστή. Μία μονάδα SFP (Small Form-Factor Pluggable) χρησιμοποιείται για τη σύνδεση της θύρας κεντρικού υπολογιστή σε έναν κεντρικό υπολογιστή ή μεταγωγέα. Η μονάδα SFP εισάγεται στη θύρα και κατόπιν ένα καλώδιο οπτικών ινών εισάγεται στη μονάδα SFP. Η άλλη άκρη του καλωδίου οπτικών ινών συνδέεται σε μία θύρα οπτικής διεπαφής είτε σε έναν FC HBA κεντρικού υπολογιστή ή μεταγωγέα. Οι μονάδες SFP είναι προϊόντα λείψερ.



**ΠΡΟΕΙΔΟΠΟΙΗΣΗ:** Τα περιβάλλοντα επεξεργασίας δεδομένων ενδέχεται να περιέχουν εξοπλισμό που μεταδίδει στους συνδέσμους του συστήματος χρησιμοποιώντας μονάδες λέιζερ, οι οποίες λειτουργούν σε μεγαλύτερα από της Κλάσης 1 επίπεδα ενέργειας. Μην κοιτάτε ποτέ στην άκρη ενός καλωδίου οπτικών ινών ή σε μία ανοιχτή υποδοχή.

### Οδηγίες για τη χρήση καλωδίων οπτικών ινών

- Μην περνάτε το καλώδιο κατά μήκος ενός πτυσσόμενου βραχίονα διαχείρισης καλωδίωσης.
- Για συσκευές τοποθετημένες σε συρόμενες ράγες, αφήστε αρκετό μήκος στα καλώδια ώστε να μη διπλώνουν σε μία διάμετρο μικρότερη από 76 mm ή σε ακτίνα μικρότερη από 38 mm, όταν οι συσκευές εκτείνονται ή για να μη τσακίζουν κατά τη σύμπτυξη.
- Περάστε τα καλώδια μακριά από σημεία όπου ενδέχεται να υποστούν ζημιά από άλλες συσκευές μέσα στο rack.
- Μη χρησιμοποιείτε πλαστικά δεματικά καλωδίων στη θέση των παρεχόμενων ταινιών καλωδίων.
- Μη σφίγγετε υπερβολικά τις ταινίες των καλωδίων σε διάμετρο μικρότερη από 76 mm και μην τα κάμπτετε σε ακτίνα μικρότερη από 38 mm.
- Μην τοποθετείτε περιττό βάρος στο καλώδιο στο σημείο σύνδεσης. Βεβαιωθείτε ότι το καλώδιο στηρίζεται επαρκώς.


### Οδηγίες για τη χρήση μονάδων SFP

Η συστοιχία αποθήκευσης απαιτεί μονάδες SFP. Οι μονάδες SFP μετατρέπουν τα ηλεκτρικά σήματα σε οπτικά σήματα για τη μετάδοση μέσω FC από και προς τις μονάδες ελεγκτών RAID. Μετά την εγκατάσταση των μονάδων SFP, τα καλώδια οπτικών ινών χρησιμοποιούνται για τη σύνδεση της συστοιχίας αποθήκευσης με άλλες συσκευές FC. Ανατρέξτε στις ακόλουθες πληροφορίες προτού εγκαταστήσετε μονάδες SFP και καλώδια οπτικών ινών:


- Χρησιμοποιείτε μόνο υποστηριζόμενες από την Dell μονάδες SFP στη συστοιχία αποθήκευσης PowerVault σειρά MD3600f. Μονάδες SFP τρίτων κατασκευαστών δεν υποστηρίζονται και ενδέχεται να μη λειτουργούν με τις συστοιχίες αποθήκευσης.
- Το περίβλημα της μονάδας SFP διαθέτει ένα ενσωματωμένο σημάδι-οδηγό σχεδιασμένο για την αποτροπή λάθους κατά την εγκατάσταση της μονάδας SFP.



- Χρησιμοποιείτε ελάχιστη πίεση κατά την εισαγωγή της μονάδας SFP σε μία θύρα FC. Εάν πιέσετε τη μονάδα SFP στη θύρα, ενδέχεται να προκληθεί ζημιά στη μονάδα SFP ή στη θύρα.
- Μπορείτε να εγκαταστήσετε ή να αφαιρέσετε μία μονάδα SFP ενόσω η θύρα είναι σε λειτουργία.
- Θα πρέπει να εγκαταστήσετε τη μονάδα SFP σε μία θύρα προτού συνδέσετε το καλώδιο οπτικών ινών.
- Θα πρέπει να αφαιρέσετε το καλώδιο οπτικών ινών από τη μονάδα SFP προτού αφαιρέσετε τη μονάδα SFP από τη θύρα.

 **ΠΡΟΣΟΧΗ:** Κατά το χειρισμό συσκευών ευαίσθητων στον στατικό ηλεκτρισμό, λάβετε προφυλάξεις για την αποφυγή πρόκλησης ζημιάς στο προϊόν από τον στατικό ηλεκτρισμό.

## Λοιπή τεκμηρίωση και μέσα που μπορεί να χρειαστείτε

 **ΠΡΟΕΙΔΟΠΟΙΗΣΗ:** Ανατρέξτε στις πληροφορίες σχετικά με την ασφάλεια και τους κανονισμούς που έχουν αποσταλεί με το σύστημά σας. Οι πληροφορίες για την εγγύηση ενδέχεται να συμπεριλαμβάνονται σε αυτό το έγγραφο ή να αποτελούν ξεχωριστό έγγραφο.



**ΣΗΜΕΙΩΣΗ:** Όλα τα έγγραφα για τη συστοιχία αποθήκευσης PowerVault σειρά MD3600f είναι διαθέσιμα στην τοποθεσία [support.dell.com/manuals](http://support.dell.com/manuals).

- Η τεκμηρίωση για τοποθέτηση σε rack που συνοδεύει τη δική σας λύση για τοποθέτηση σε rack περιγράφει τον τρόπο τοποθέτησης του συστήματός σας σε rack.
- Το *Εγχειρίδιο κατόχου* παρέχει πληροφορίες σχετικά με τα χαρακτηριστικά του συστήματος και περιγράφει την αντιμετώπιση προβλημάτων του συστήματός σας και την εγκατάσταση ή την επανατοποθέτηση εξαρτημάτων του συστήματος.
- Ο *Οδηγός ανάπτυξης* παρέχει πληροφορίες σχετικά με την εγκατάσταση και τη ρύθμιση του λογισμικού και του υλικού.
- Ο *Οδηγός CLI* παρέχει πληροφορίες σχετικά με τη χρήση της γραμμής εντολών (CLI) για τη ρύθμιση και τη διαχείριση της συστοιχίας αποθήκευσης.

- Ο Οδηγός προγραμματιστή SMI-S παρέχει πληροφορίες σχετικά με τη χρήση του παρόχου SMI-S και του προγραμματισμού SMI-S.
- Τυχόν δίσκοι CD/DVD που συνοδεύουν το σύστημά σας και παρέχουν τεκμηρίωση και εργαλεία για τη ρύθμιση και τη διαχείριση του συστήματός σας, όπου συμπεριλαμβάνονται η τεκμηρίωση και τα εργαλεία για το λειτουργικό σύστημα, το λογισμικό διαχείρισης συστήματος, οι ενημερώσεις συστήματος και τα εξαρτήματα που αγοράσατε μαζί με το σύστημά σας.



**ΣΗΜΕΙΩΣΗ:** Ελέγχετε πάντοτε για ενημερωμένες εκδόσεις στην τοποθεσία [support.dell.com/manuals](http://support.dell.com/manuals) και να διαβάσετε πρώτα τις ενημερωμένες εκδόσεις επειδή πολύ συχνά αντικαθιστούν τις πληροφορίες άλλων εγγράφων.

## Λειτουργικά συστήματα που υποστηρίζονται

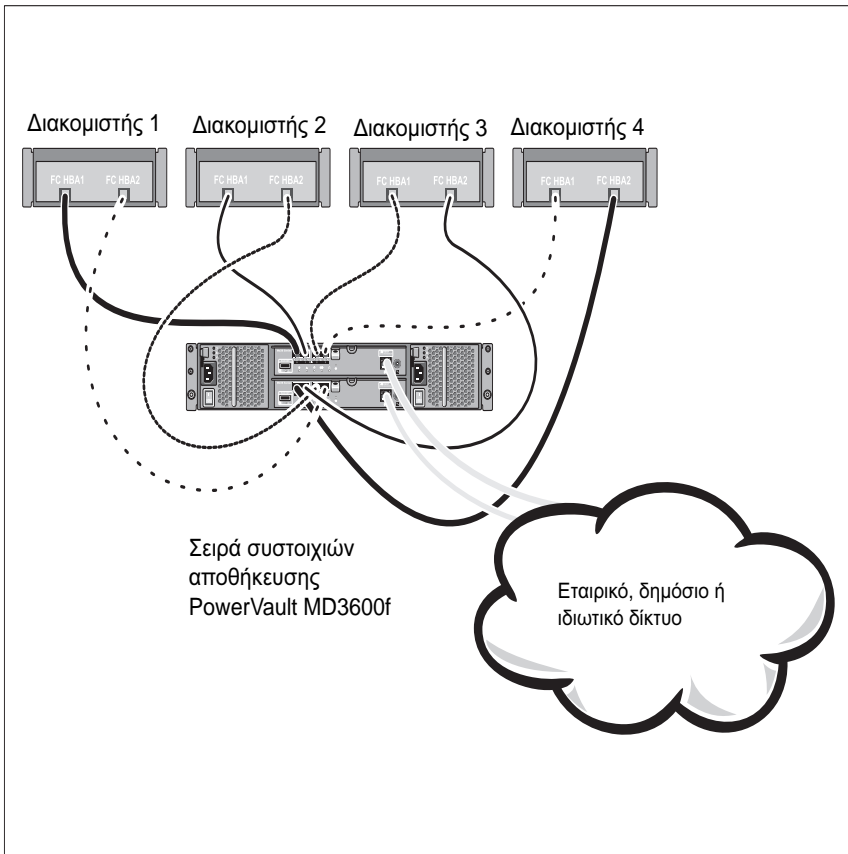
- Microsoft Windows Server
- Red Hat Enterprise Linux
- SUSE Linux Enterprise Server
- VMware



**ΣΗΜΕΙΩΣΗ:** Για τις πιο πρόσφατες πληροφορίες σχετικά με όλες τις υποστηριζόμενες εκδόσεις λειτουργικού συστήματος, ανατρέξτε στην ενότητα *Support Matrix* στην τοποθεσία [support.dell.com/manuals](http://support.dell.com/manuals).

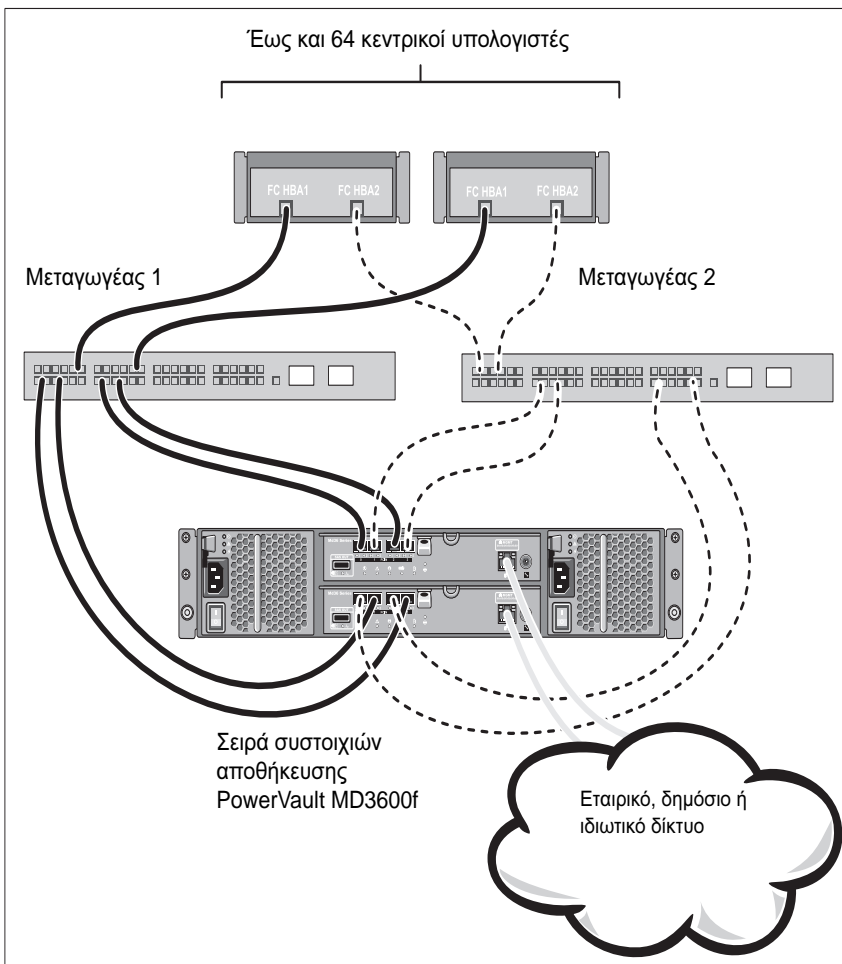
# Συνηθισμένες διαμορφώσεις

## Καλωδίωση των άμεσα συνδεδεμένων διακομιστών



## Καλωδίωση των διακομιστών με σύνδεση SAN

Η παρακάτω εικόνα αναπαριστά ένα πλεονάζον σύστημα. Για παράδειγμα, ένα σύστημα που χρησιμοποιείται σε περιβάλλον απομακρυσμένης αναπαραγωγής (remote replication).



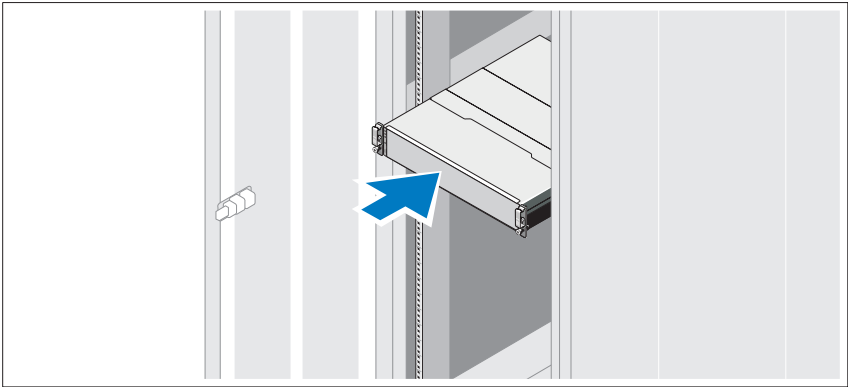
# Εγκατάσταση και διαμόρφωση

**!** ΠΡΟΕΙΔΟΠΟΙΗΣΗ: Πρωτού εκτελέσετε την παρακάτω διαδικασία, συμβουλευθείτε τις οδηγίες ασφάλειας που συνοδεύουν το σύστημά σας.

## Άνοιγμα της συσκευασίας του συστήματος

Ανοίξτε τη συσκευασία του συστήματος σας και αναγνωρίστε κάθε στοιχείο βάσει της λίστας περιεχομένων που στάλθηκε μαζί με το σύστημά σας.

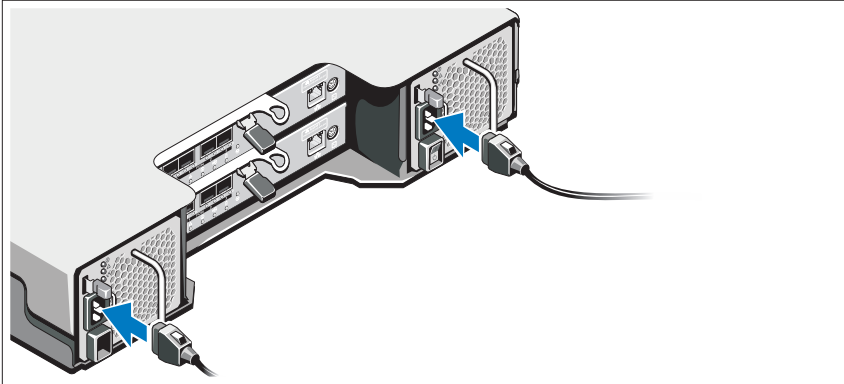
## Τοποθέτηση των ραγών και του συστήματος σε rack



Συναρμολογήστε τις ράγες και εγκαταστήστε το σύστημα σε rack σύμφωνα με τις οδηγίες ασφάλειας και τις οδηγίες εγκατάστασης σε rack που παρέχονται με το σύστημά σας.

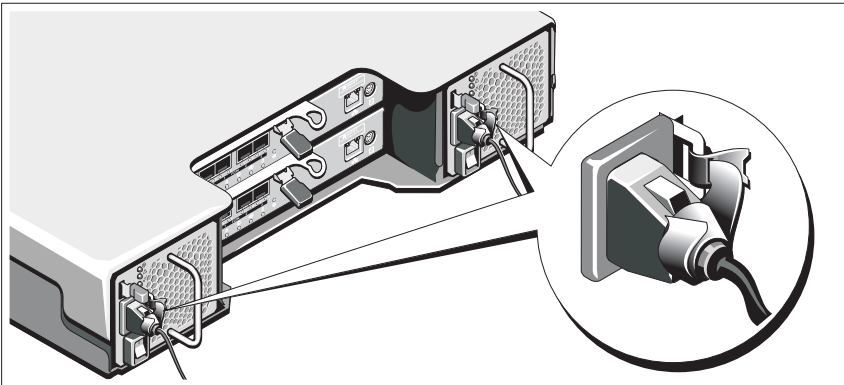
**✍** ΣΗΜΕΙΩΣΗ: Προκειμένου να εξισορροπηθεί το φορτίο βάρους, συνιστάται να εγκαταστήσετε τη συστοιχία αποθήκευσης PowerVault σειρά MD3600f στο κάτω μέρος του rack και τα κουτιά επέκτασης του PowerVault MD1200 πάνω από αυτό.

## Σύνδεση των καλωδίων τροφοδοσίας



Βεβαιωθείτε ότι ο διακόπτης τροφοδοσίας είναι στη θέση OFF πριν συνδέσετε τα καλώδια τροφοδοσίας ρεύματος. Συνδέστε τα καλώδια τροφοδοσίας στο σύστημα.

## Ασφάλιση των καλωδίων τροφοδοσίας



Ασφαλίστε τα καλώδια τροφοδοσίας σταθερά στο στήριγμα χρησιμοποιώντας την παρεχόμενη ταινία.

Βάλτε το φως των καλωδίων ρεύματος σε γειωμένη πρίζα ή ξεχωριστή πηγή ρεύματος όπως π.χ. συσκευή αδιάλειπτης παροχής ρεύματος (UPS) ή μονάδα διανομής ρεύματος (PDU). Κάθε τροφοδοτικό θα πρέπει να συνδέεται σε ξεχωριστό ηλεκτρικό κύκλωμα.

## Εγκατάσταση και αφαίρεση μονάδων SFP

Για την εγκατάσταση μονάδων SFP:

- 1 Σε περίπτωση που όλες οι θύρες FC έχουν εγκατεστημένη από μία μονάδα SFP, μεταβείτε στην ενότητα βήμα 5.
- 2 Αφαιρέστε τη μονάδα SFP από την προστατευτική αντιστατική συσκευασία της.
- 3 Αφαιρέστε την προστατευτική τάπα από τη μονάδα SFP και τη θύρα SFP. Αποθηκεύστε τις τάπες για μελλοντική χρήση.
- 4 Εισαγάγετε τη μονάδα SFP στη θύρα κεντρικού υπολογιστή έως ότου ασφαλίσει στη θέση της.
- 5 Συνδέστε ένα καλώδιο FC. Βλέπε «Εγκατάσταση και αφαίρεση καλωδίων οπτικών ινών» στη σελίδα 94.

Για την αφαίρεση μονάδων SFP:

- 1 Αφαιρέστε το καλώδιο FC από τη μονάδα SFP. Βλέπε «Εγκατάσταση και αφαίρεση καλωδίων οπτικών ινών» στη σελίδα 94.



**ΣΗΜΕΙΩΣΗ:** Για την αποφυγή πρόσκλισης ζημιάς στο καλώδιο ή στη μονάδα SFP, αποσυνδέστε το καλώδιο FC προτού αφαιρέσετε τη μονάδα SFP.

- 2 Απασφαλίστε την ασφάλεια της μονάδας SFP. Στις μονάδες SFP που περιέχουν συρμάτινες γλωττίδες, απασφαλίστε την ασφάλεια της μονάδας SFP τραβώντας τη συρμάτινη ασφάλεια προς τα έξω κατά 90°.
- 3 Με την ασφάλεια της μονάδας SFP στη θέση απασφάλισης, αφαιρέστε τη μονάδα SFP. Στις μονάδες SFP που περιέχουν συρμάτινες γλωττίδες, κρατήστε τη συρμάτινη ασφάλεια και τραβήξτε τη μονάδα SFP έξω από τη θύρα.
- 4 Επανατοποθετήστε την προστατευτική τάπα στη μονάδα SFP και στη θύρα κεντρικού υπολογιστή.
- 5 Τοποθετήστε τη μονάδα SFP σε μία προστατευτική αντιστατική συσκευασία.

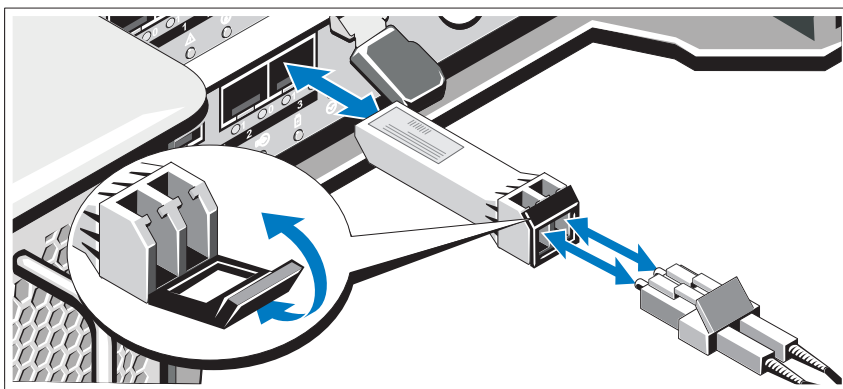
## Εγκατάσταση και αφαίρεση καλωδίων οπτικών ινών

**⚠ ΠΡΟΕΙΔΟΠΟΙΗΣΗ:** Τα περιβάλλοντα επεξεργασίας δεδομένων ενδέχεται να περιέχουν εξοπλισμό που μεταδίδει στους συνδέσμους του συστήματος χρησιμοποιώντας μονάδες λέιζερ, οι οποίες λειτουργούν σε μεγαλύτερα από της Κλάσης 1 επίπεδα ενέργειας. Μην κοιτάτε ποτέ στην άκρη ενός καλωδίου οπτικών ινών ή σε μία ανοιχτή υποδοχή.

Προτού εγκαταστήσετε ένα καλώδιο FC, ανατρέξτε στην ενότητα «Οδηγίες για τη χρήση καλωδίων οπτικών ινών» στη σελίδα 86.

Για την εγκατάσταση καλωδίου FC:

- 1 Εάν χρειάζεται, αφαιρέστε την προστατευτική τάπα από τη μονάδα SFP και αποθηκεύστε τη για μελλοντική χρήση.
- 2 Αφαιρέστε τις δύο προστατευτικές τάπες από τη μία άκρη του καλωδίου και αποθηκεύστε τις για μελλοντική χρήση.
- 3 Εισαγάγετε το καλώδιο σε μία μονάδα SFP που βρίσκεται εγκαταστημένη στη συστοιχία αποθήκευσης. Η υποδοχή του καλωδίου έχει σημάδια για τη σωστή εγκατάσταση. Κρατώντας τη θύρα, πιέστε το καλώδιο έως ότου ασφαλίσει στη θέση του.
- 4 Αφαιρέστε τις δύο προστατευτικές τάπες από την άλλη άκρη του καλωδίου και αποθηκεύστε τις για μελλοντική χρήση.
- 5 Συνδέστε αυτή την άκρη του καλωδίου σε μία από τις ακόλουθες συσκευές:
  - Σε μία μονάδα SFP που βρίσκεται εγκατεστημένη σε μία θύρα μεταγωγέα FC
  - Σε μία θύρα FC HBA

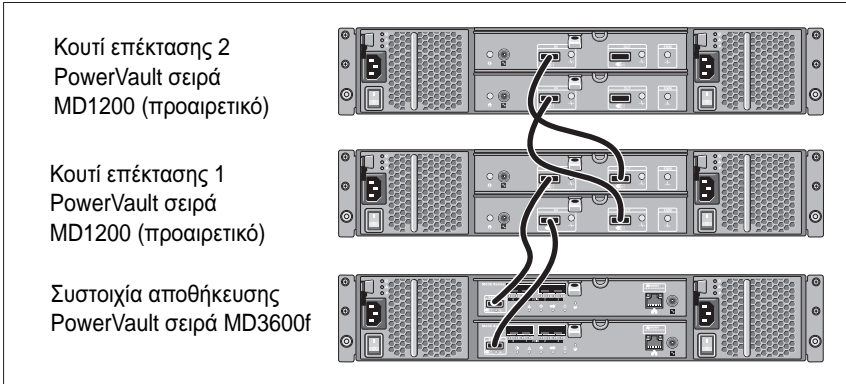




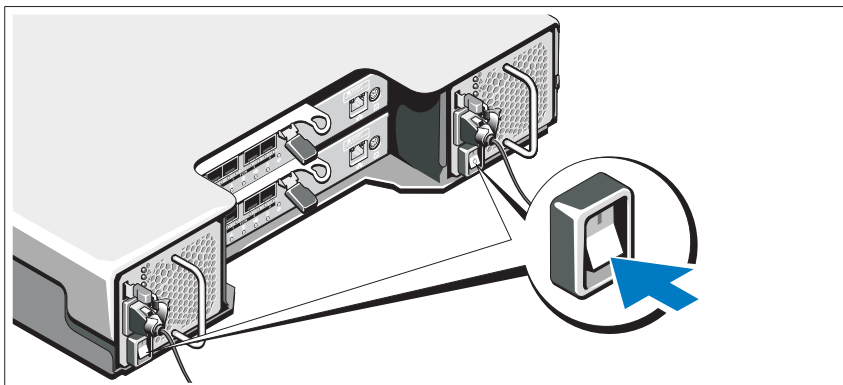
Για την αφαίρεση καλωδίου FC:

- 1 Πιέστε και κρατήστε πατημένο τον μοχλό για να απελευθερώσετε τις ασφάλειες προτού αφαιρέσετε το καλώδιο από τη μονάδα SFP. Βεβαιωθείτε ότι οι μοχλοί βρίσκονται στη θέση απελευθέρωσης κατά την αφαίρεση του καλωδίου. Μην κρατάτε την πλαστική γλωττίδα της μονάδας SFP ενόσω αφαιρείτε το καλώδιο.
- 2 Στην άκρη του καλωδίου που συνδέεται στη μονάδα SFP ή στο HBA, πιέστε προς τα κάτω και κρατήστε πατημένο τον μοχλό για να απελευθερώσετε τις ασφάλειες.
- 3 Ενόσω πιέξετε προς τα κάτω τον μοχλό του καλωδίου, τραβήξτε τη θύρα για να αφαιρέσετε το καλώδιο από τη μονάδα SFP.
- 4 Επαναποθετήστε τις προστατευτικές τάπες στις άκρες του καλωδίου.
- 5 Επαναποθετήστε την προστατευτική τάπα στη μονάδα SFP.



## Καλωδίωση του κουτιού επέκτασης



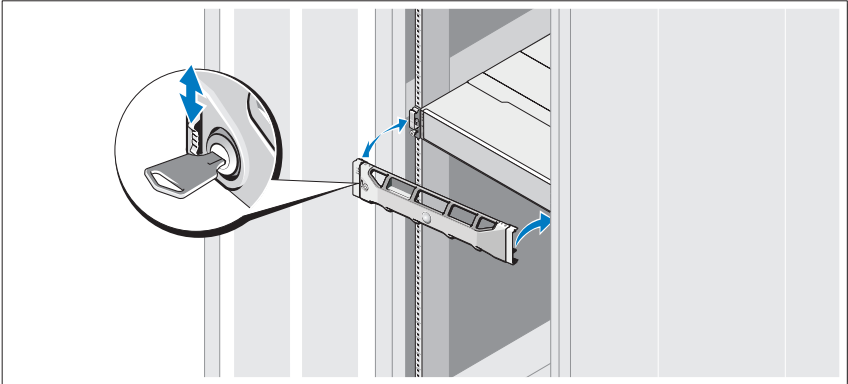
## Ενεργοποίηση της συστοιχίας αποθήκευσης



Ενεργοποιήστε τα εξαρτήματα με την εξής σειρά:

- 1 Μεταγωγείς FC (εάν χρησιμοποιούνται)
- 2 Κουτιά επέκτασης σειράς MD1200 (αν χρησιμοποιούνται)
  -  **ΣΗΜΕΙΩΣΗ:** Πριν την ενεργοποίηση της συστοιχίας αποθήκευσης, βεβαιωθείτε ότι η λυχνία LED κατάστασης του κουτιού επέκτασης είναι μπλε.
- 3 Συστοιχία αποθήκευσης σειρά MD3600f
  -  **ΣΗΜΕΙΩΣΗ:** Πριν ενεργοποιήσετε τον διακομιστή κεντρικού υπολογιστή, βεβαιωθείτε ότι η λυχνία LED κατάστασης της συστοιχίας αποθήκευσης είναι μπλε.
- 4 Διακομιστής(ές) κεντρικού υπολογιστή

## Εγκατάσταση του πλαισίου



Τοποθετήστε το πλαίσιο (προαιρετικά).

## Εγκατάσταση HBA και προγραμμάτων οδήγησης



**ΣΗΜΕΙΩΣΗ:** Ανατρέξτε στο έγγραφο *Ρύθμιση οπτικής ίνας με τη συστοιχία αποθήκευσης Dell σειρά MD3600f* προτού συνεχίσετε με τη διαδικασία αυτή. Για λεπτομερείς οδηγίες σχετικά με την εγκατάσταση λογισμικού αποθήκευσης MD, τη ρύθμιση του κουτιού και τις εργασίες μετά την εγκατάσταση, ανατρέξτε στον *Οδηγό ανάπτυξης*.

- 1 Τοποθετήστε τους HBA.
- 2 Συνδέστε τα καλώδια.
- 3 Εγκαταστήστε τα προγράμματα οδήγησης HBA και ενημερώσεις κώδικα/άμεσες επιδιορθώσεις του λειτουργικού συστήματος για τον HBA.
- 4 Βεβαιωθείτε ότι έχουν εφαρμοστεί οι προτεινόμενες ρυθμίσεις του HBA.

## Εγκατάσταση του λογισμικού αποθήκευσης MD



**ΣΗΜΕΙΩΣΗ:** Για λεπτομερείς οδηγίες σχετικά με την εγκατάσταση λογισμικού αποθήκευσης MD, τη ρύθμιση του κουτιού και τις εργασίες μετά την εγκατάσταση, ανατρέξτε στον *Οδηγό ανάπτυξης*.

Η εφαρμογή MD Storage Manager ρυθμίζει, διαχειρίζεται και παρακολουθεί τη συστοιχία αποθήκευσης. Για να εγκαταστήσετε το λογισμικό αποθήκευσης MD:

- 1 Τοποθετήστε το μέσο πόρων της σειράς MD.

Ανάλογα με το λειτουργικό σας σύστημα, το πρόγραμμα εγκατάστασης μπορεί να ξεκινήσει αυτόματα. Αν το πρόγραμμα εγκατάστασης δεν ξεκινήσει αυτόματα, πλοηγηθείτε στο ριζικό κατάλογο του μέσου εγκατάστασης (ή κατεβάστε ένα αντίγραφο του προγράμματος εγκατάστασης) και εκτελέστε το αρχείο **md\_launcher.exe**. Σε συστήματα με Linux, περιηγηθείτε στον γονικό κατάλογο του μέσου πόρων και εκτελέστε το αρχείο **autorun**.



**ΣΗΜΕΙΩΣΗ:** Από προεπιλογή, το Red Hat Enterprise Linux μοντάρει το μέσο πόρων με την επιλογή μονταρίσματος **-noexec** η οποία δεν επιτρέπει την εκτέλεση εκτελέσιμων αρχείων. Για να αλλάξετε αυτή τη ρύθμιση, ανατρέξτε στο αρχείο **Readme** στο ριζικό κατάλογο του μέσου εγκατάστασης.

- 2 Επιλέξτε **Install MD Storage Software** (Εγκατάσταση λογισμικού αποθήκευσης MD).
- 3 Διαβάστε και αποδεχτείτε την άδεια χρήσης.
- 4 Επιλέξτε μία από τις παρακάτω επιλογές εγκατάστασης από το αναπτυσσόμενο μενού **Install Set** (Σύνολο εγκατάστασης):

- **Full (recommended)**—Εγκαθιστά το λογισμικό MD Storage Manager (πρόγραμμα-πελάτης), τον παράγοντα αποθήκευσης host-based, πρόγραμμα οδήγησης πολλαπλών διαδρομών και παροχές υλικού.
- **Host Only**—Εγκαθιστά μόνο τον παράγοντα αποθήκευσης host-based και προγράμματα οδήγησης πολλαπλών διαδρομών.
- **Management**—Εγκαθιστά το λογισμικό διαχείρισης και τους παροχές υλικού.
- **Custom**—Σας επιτρέπει να επιλέξετε συγκεκριμένα στοιχεία.

- 5 Επιλέξτε το μοντέλο ή τα μοντέλα συστοιχίας αποθήκευσης MD που ρυθμίζετε για να λειτουργήσουν ως μέσα αποθήκευσης δεδομένων για τον συγκεκριμένο διακομιστή κεντρικού υπολογιστή.
- 6 Επιλέξτε αν η υπηρεσία παρακολούθησης συμβάντων θα ξεκινάει αυτόματα με την εκκίνηση του διακομιστή κεντρικού υπολογιστή ή μη αυτόματα



**ΣΗΜΕΙΩΣΗ:** Η επιλογή αυτή ισχύει μόνο για εγκατάσταση λογισμικού πελάτη Windows.

- 7 Επιβεβαιώστε τη θέση της εγκατάστασης και κάντε κλικ στο **Install** (Εγκατάσταση).
- 8 Εάν σας ζητηθεί, επανεκκινήστε το διακομιστή κεντρικού υπολογιστή μόλις ολοκληρωθεί η εγκατάσταση.
- 9 Ξεκινήστε το **MD Storage Manager** και βρείτε τη συστοιχία(ες).



**ΣΗΜΕΙΩΣΗ:** Εάν το πρωτόκολλο δυναμικής ρύθμισης παραμέτρων κεντρικών υπολογιστών (Dynamic Host Configuration Protocol) δεν χρησιμοποιείται στο δίκτυο που είναι συνδεδεμένες οι θύρες διαχείρισης της συστοιχίας αποθήκευσης MD, συνιστάται η ενεργοποίηση του πρωτοκόλλου IPv6 στο σταθμό διαχείρισης για την εξερεύνηση των συστοιχιών αποθήκευσης.

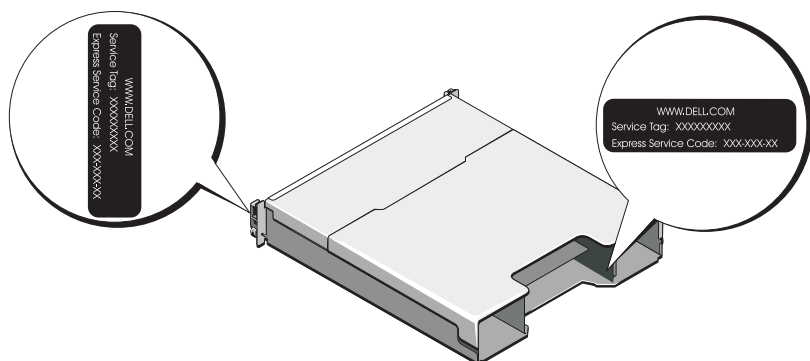
- 10 Ρύθμιση μονού εκκινήτη και αντιστοίχιση ζωνών πολλαπλών προορισμών στους μεταγωγείς οπτικών ινών σας. Για περισσότερες πληροφορίες σχετικά με την αντιστοίχιση ζωνών, ανατρέξτε στον *Οδηγό ανάπτυξης*.
- 11 Εάν χρειάζεται, ενεργοποιήστε τυχόν premium δυνατότητες που αγοράσατε μαζί με τη συστοιχία αποθήκευσης. Εάν αγοράσατε premium δυνατότητες, ανατρέξτε στην έντυπη κάρτα ενεργοποίησης που αποστάλθηκε μαζί με τη συστοιχία αποθήκευσής σας.



**ΣΗΜΕΙΩΣΗ:** Το πρόγραμμα εγκατάστασης του **MD Storage Manager** εγκαθιστά αυτόματα τα απαιτούμενα προγράμματα οδήγησης, υλικολογισμικό και ενημερώσεις κώδικα/άμεσες επιδιορθώσεις λειτουργικού συστήματος για τη λειτουργία της συστοιχίας αποθήκευσής σας. Αυτά τα προγράμματα οδήγησης και το υλικολογισμικό είναι επίσης διαθέσιμα στη διεύθυνση **support.dell.com**. Επιπλέον, ανατρέξτε στο *Support Matrix* στη διεύθυνση **support.dell.com/manuals** για πρόσθετες ρυθμίσεις ή/και λογισμικό που απαιτείται για τη συγκεκριμένη συστοιχία αποθήκευσης.

## Εύρεση της ετικέτας εξυπηρέτησης

Το σύστημά σας αναγνωρίζεται από έναν μοναδικό κωδικό ταχείας εξυπηρέτησης και έναν αριθμό ετικέτας εξυπηρέτησης. Ο κωδικός ταχείας εξυπηρέτησης και η ετικέτα εξυπηρέτησης βρίσκονται στην μπροστινή αλλά και στην πίσω πλευρά του συστήματος δίπλα στις μονάδες ελεγκτή RAID. Οι πληροφορίες αυτές χρησιμοποιούνται από την Dell για την προώθηση κλήσεων υποστήριξης στο κατάλληλο προσωπικό.



## Πληροφορίες NOM (Μόνο για Μεξικό)

Οι παρακάτω πληροφορίες παρέχονται για τη συσκευή που περιγράφεται στο παρόν έγγραφο, σύμφωνα με τις προδιαγραφές των επίσημων προτύπων του Μεξικού (NOM):

Εισαγωγέας: Dell Inc. de México, S.A. de C.V.  
Paseo de la Reforma 2620 -11º Piso  
Col. Lomas Altas  
11950 México, D.F.

Αριθμός μοντέλου: E03J και E04J  
Τάση παροχής: 100–240 V CA  
Συχνότητα: 50/60 Hz  
Κατανάλωση ρεύματος: 8,6 A

# Τεχνικές προδιαγραφές

---

## Μονάδες δίσκων

---

|                    |                                                                                        |
|--------------------|----------------------------------------------------------------------------------------|
| PowerVault MD3600f | Έως και δώδεκα σκληροί δίσκοι άμεσης σύνδεσης SAS 3,5" (3,0 Gbps και 6,0 Gbps)         |
| PowerVault MD3620f | Έως και εικοσιτέσσερις σκληροί δίσκοι άμεσης σύνδεσης SAS 2,5" (3,0 Gbps και 6,0 Gbps) |

---

## Μονάδες ελεγκτή RAID

---

|                      |                                                                                                                                                                      |
|----------------------|----------------------------------------------------------------------------------------------------------------------------------------------------------------------|
| Μονάδες ελεγκτή RAID | <ul style="list-style-type: none"><li>• Μία ή δύο μονάδες με δυνατότητα άμεσης σύνδεσης με αισθητήρες θερμοκρασίας</li><li>• 2 GB μνήμης cache ανά ελεγκτή</li></ul> |
|----------------------|----------------------------------------------------------------------------------------------------------------------------------------------------------------------|

---

## Πίσω θύρες (ανά μονάδα ελεγκτή RAID)

---

|                           |                                                                                                                                                                                                                                                                                                                                                                                                                                                                                                                                                                                                      |
|---------------------------|------------------------------------------------------------------------------------------------------------------------------------------------------------------------------------------------------------------------------------------------------------------------------------------------------------------------------------------------------------------------------------------------------------------------------------------------------------------------------------------------------------------------------------------------------------------------------------------------------|
| Θύρες FC                  | Τέσσερις θύρες FC IN για τη σύνδεση κεντρικών υπολογιστών                                                                                                                                                                                                                                                                                                                                                                                                                                                                                                                                            |
| Θύρα SAS                  | Μία θύρα SAS OUT για επέκταση σε πρόσθετο κουτί PowerVault MD12xx<br><b>ΣΗΜΕΙΩΣΗ:</b> Η θύρα SAS είναι συμβατή με SFF-8088.                                                                                                                                                                                                                                                                                                                                                                                                                                                                          |
| Σειριακή θύρα             | Μία θύρα 6 ακίδων mini-DIN<br><b>ΣΗΜΕΙΩΣΗ:</b> Μόνο για χρήση κατά την τεχνική υποστήριξη.                                                                                                                                                                                                                                                                                                                                                                                                                                                                                                           |
| Θύρα διαχείρισης Ethernet | Μία θύρα Ethernet 100/1000 Base-T για εξερχόμενη διαχείριση του κουτιού<br><b>ΣΗΜΕΙΩΣΗ:</b> Οι προεπιλεγμένες διευθύνσεις IP διαχείρισης θύρας για την κύρια και τη δευτερεύουσα μονάδα ελεγκτή RAID είναι 192.168.128.101 και 192.168.128.102, αντίστοιχα. Από προεπιλογή, οι θύρες διαχείρισης είναι ρυθμισμένες σε DHCP. Εάν ο ελεγκτής δεν μπορέσει να λάβει διαμόρφωση διεύθυνσης IP από ένα διακομιστή DHCP εντός ενός καθορισμένου χρονικού διαστήματος (περίπου 3 λεπτά), επιστρέφει στη χρήση στατικής διεύθυνσης IP. Για περισσότερες πληροφορίες, ανατρέξτε στον <i>Οδηγό ανάπτυξης</i> . |

---

## Επέκταση

---

PowerVault σειρά MD1200

Υποστηρίζει το πολύ 192 σκληρούς δίσκους με οποιοδήποτε συνδυασμό κουτιών επέκτασης PowerVault MD1200 ή PowerVault MD1220. Η υποστήριξη για 192 σκληρούς δίσκους είναι premium δυνατότητα και απαιτεί ενεργοποίηση. Ο μέγιστος αριθμός σκληρών δίσκων που υποστηρίζεται χωρίς τη χρήση της premium δυνατότητας είναι 120.

Η συνδεσιμότητα εφεδρικής διαδρομής παρέχει εφεδρικές διαδρομές δεδομένων σε κάθε μονάδα σκληρού δίσκου.

---

## Πίσω πλευρά

---

Θύρες

- 12 ή 24 θύρες SAS σκληρού δίσκου
- Δύο θύρες τροφοδοτικών/ανεμιστήρα ψύξης
- Δύο σετ θυρών μονάδας ελεγκτή RAID
- Μία θύρα πίνακα ελέγχου για τις μπροστινές λυχνίες LED και το κουμπί αναγνώρισης συστήματος

Αισθητήρες

Δύο αισθητήρες θερμοκρασίας

---

## Λυχνίες LED

---

Μπροστινό μέρος

- Μία δίχρωμη λυχνία LED για την κατάσταση του συστήματος
- Δύο μονόχρωμες λυχνίες LED για την τροφοδοσία και τη λειτουργία κουτιού

**ΣΗΜΕΙΩΣΗ:** Η λυχνία LED λειτουργίας κουτιού δεν ισχύει για τη συστοιχία αποθήκευσης PowerVault σειρά MD3600f.

Θήκη μονάδας σκληρού δίσκου

- Μία μονόχρωμη λυχνία LED για τη δραστηριότητα
- Μία δίχρωμη λυχνία LED για την κατάσταση ανά μονάδα δίσκου.

Τροφοδοτικό/ανεμιστήρας ψύξης

Τρεις λυχνίες LED για την κατάσταση της παροχής τροφοδοσίας, για σφάλμα στην παροχή τροφοδοσίας/ανεμιστήρα και για την κατάσταση AC



---

## Λυχνίες LED (συνέχεια)

---

|                     |                                                                                                                                                                                                                                                                                                                                                                                                                                                                                                                          |
|---------------------|--------------------------------------------------------------------------------------------------------------------------------------------------------------------------------------------------------------------------------------------------------------------------------------------------------------------------------------------------------------------------------------------------------------------------------------------------------------------------------------------------------------------------|
| Μονάδα ελεγκτή RAID | 14 μονόχρωμες λυχνίες LED: <ul style="list-style-type: none"><li>• Μία για σφάλμα μπαταρίας</li><li>• Μία για ενεργή μνήμη cache</li><li>• Μία για σφάλμα ελεγκτή</li><li>• Μία για τροφοδοσία ελεγκτή</li><li>• Μία για αναγνώριση συστήματος</li><li>• Μία για δραστηριότητα διαχείρισης Ethernet</li><li>• Οκτώ σύνδεσης ή σφάλματος FC</li></ul> 2 δίχρωμες λυχνίες LED: <ul style="list-style-type: none"><li>• Μία για σύνδεση ή σφάλμα SAS OUT</li><li>• Μία για ταχύτητα σύνδεσης διαχείρισης Ethernet</li></ul> |
|---------------------|--------------------------------------------------------------------------------------------------------------------------------------------------------------------------------------------------------------------------------------------------------------------------------------------------------------------------------------------------------------------------------------------------------------------------------------------------------------------------------------------------------------------------|

---

## Διακόπτης

---

|                                        |                                                                                                                                                  |
|----------------------------------------|--------------------------------------------------------------------------------------------------------------------------------------------------|
| Κουμπί αναγνώρισης συστήματος          | Βρίσκεται στον εμπρόσθιο πίνακα ελέγχου. Αυτό το κουμπί χρησιμοποιείται για να εντοπίσει ένα σύστημα σε ένα rack.                                |
| Διακόπτης λειτουργίας κουτιού          | Στην μπροστινή πλευρά του συστήματος. Ο διακόπτης αυτός δεν υπάρχει στη συστοιχία αποθήκευσης PowerVault σειρά MD3600f.                          |
| Διακόπτης επαναφοράς κωδικού πρόσβασης | Στην πίσω πλευρά της μονάδας ελεγκτή RAID. Ο διακόπτης αυτός χρησιμοποιείται για την επαναφορά του κωδικού πρόσβασης της συστοιχίας αποθήκευσης. |

---

## Τροφοδοτικά

---

Τροφοδοσία AC (ανά παροχή τροφοδοσίας)

|                       |                                                                                                                                                                                                                |
|-----------------------|----------------------------------------------------------------------------------------------------------------------------------------------------------------------------------------------------------------|
| Ισχύς σε watt         | 600 W                                                                                                                                                                                                          |
| Τάση                  | 100–240 VAC (8,6 A–4,3 A)                                                                                                                                                                                      |
| Έκλυση θερμότητας     | 100 W                                                                                                                                                                                                          |
| Μέγιστο ρεύμα εισροής | Κάτω από τυπικές συνθήκες γραμμής και πάνω από την περιοχή λειτουργίας περιβάλλοντος ολόκληρου του συστήματος, το ρεύμα εισροής μπορεί να αγγίξει το πολύ τα 55 A ανά παροχή τροφοδοσίας για 10 ms ή λιγότερο. |

---

**Διαθέσιμη τροφοδοσία σκληρού δίσκου (ανά υποδοχή)**

---

PowerVault MD3600f 25 W

PowerVault MD3620f 12 W

---

**Ισχύς μονάδας ελεγκτή RAID (ανά υποδοχή)**

---

Μέγιστη κατανάλωση ισχύος 100 W

---

**Φυσικά χαρακτηριστικά**

---

PowerVault MD3600f

Ύψος 8,68 cm

Πλάτος 44,63 cm

Βάθος 60,20 cm

Βάρος (μέγιστη διαμόρφωση) 29,30 kg

Βάρος (κενό) 8,84 kg

PowerVault MD3620f

Ύψος 8,68 cm

Πλάτος 44,63 cm

Βάθος 54,90 cm

Βάρος (μέγιστη διαμόρφωση) 24,22 kg

Βάρος (κενό) 8,61 kg

---

**Χαρακτηριστικά περιβάλλοντος**

---

**ΣΗΜΕΙΩΣΗ:** Για επιπλέον πληροφορίες σχετικά με τις περιβαλλοντικές μετρήσεις για συγκεκριμένες διαμορφώσεις συστήματος, επισκεφτείτε τη διεύθυνση [www.dell.com/environmental\\_datasheets](http://www.dell.com/environmental_datasheets).

Θερμοκρασία

Κατά τη λειτουργία 10 °C έως 35 °C, με μέγιστο ρυθμό μεταβολής της θερμοκρασίας τους 10 °C ανά ώρα

**ΣΗΜΕΙΩΣΗ:** Για υψόμετρο άνω των 900 μέτρων, η μέγιστη θερμοκρασία λειτουργίας ελαττώνεται ονομαστικά κατά 7°C ανά 168 μέτρα.

---

## Χαρακτηριστικά περιβάλλοντος (συνέχεια)

---

|                                      |                                                                                                                                                                     |
|--------------------------------------|---------------------------------------------------------------------------------------------------------------------------------------------------------------------|
| Κατά την αποθήκευση                  | από -40° έως 65°C, με μέγιστο ρυθμό μεταβολής της θερμοκρασίας τούς 20°C ανά ώρα                                                                                    |
| <b>Σχετική υγρασία</b>               |                                                                                                                                                                     |
| Κατά τη λειτουργία                   | 20% έως 80% (χωρίς συμπύκνωση) με μέγιστο ρυθμό μεταβολής της υγρασίας 10% ανά ώρα                                                                                  |
| Κατά την αποθήκευση                  | 5% έως 95% (χωρίς συμπύκνωση)                                                                                                                                       |
| <b>Μέγιστη ταλάντευση</b>            |                                                                                                                                                                     |
| Κατά τη λειτουργία                   | 0,25 G στα 3–200 Hz για 15 λεπτά                                                                                                                                    |
| Κατά την αποθήκευση                  | 0,5 G στα 3–200 Hz για 15 λεπτά                                                                                                                                     |
| <b>Μέγιστη δόνηση</b>                |                                                                                                                                                                     |
| Κατά τη λειτουργία                   | Ένας παλμός δόνησης στο θετικό τμήμα του άξονα z (ένας παλμός σε κάθε πλευρά του συστήματος) των 31 G για έως και 2,6 ms προς τις κατευθύνσεις λειτουργίας          |
| Κατά την αποθήκευση                  | Έξι διαδοχικά εκτελεσμένοι παλμοί δόνησης στο θετικό και αρνητικό τμήμα των αξόνων x, y και z (ένας παλμός σε κάθε πλευρά του συστήματος) των 71 G για έως και 2 ms |
| <b>Υψόμετρο</b>                      |                                                                                                                                                                     |
| Κατά τη λειτουργία                   | από -16 έως 3.048 μέτρα<br><b>ΣΗΜΕΙΩΣΗ:</b> Για υψόμετρο άνω των 900 μέτρων, η μέγιστη θερμοκρασία λειτουργίας ελαττώνεται ονομαστικά κατά 7°C ανά 168 μέτρα.       |
| Κατά την αποθήκευση                  | από -16 έως 10.600 μέτρα                                                                                                                                            |
| <b>Επίπεδα ρύπων στην ατμόσφαιρα</b> |                                                                                                                                                                     |
| Κατηγορία                            | G1, όπως ορίζεται από το ISA-S71.04-1985                                                                                                                            |



Macierze pamięci masowej  
Dell PowerVault  
MD3600f i MD3620f

Rozpoczęcie  
pracy z systemem

Dotyczy modeli E03J i E04J



# Uwagi, przestrogi i ostrzeżenia



**UWAGA:** Napis UWAGA oznacza ważną wiadomość, która pomoże lepiej wykorzystać komputer.



**PRZESTROGA:** Napis PRZESTROGA wskazuje na ryzyko uszkodzenia sprzętu lub utraty danych w razie nieprzestrzegania instrukcji.



**OSTRZEŻENIE:** Napis OSTRZEŻENIE informuje o sytuacjach, w których występuje ryzyko uszkodzenia mienia, odniesienia obrażeń ciała lub śmierci.

---

**Informacje zawarte w tym dokumencie mogą zostać zmienione bez uprzedzenia.**

**© 2011 Dell Inc. Wszelkie prawa zastrzeżone.**

Powielanie tych materiałów w jakiegokolwiek formie bez pisemnej zgody firmy Dell Inc. jest surowo zabronione.

Znaki towarowe użyte w tym tekście: Dell™, logo DELL i PowerVault™ są znakami towarowymi firmy Dell Inc. Microsoft® oraz Windows Server® są znakami towarowymi lub zarejestrowanymi znakami towarowymi firmy Microsoft Corporation w Stanach Zjednoczonych i/lub innych krajach. Red Hat® oraz Red Hat Enterprise Linux® są zarejestrowanymi znakami towarowymi firmy Red Hat, Inc. w Stanach Zjednoczonych i innych krajach. SUSE® jest zarejestrowanym znakiem towarowym firmy Novell, Inc. w Stanach Zjednoczonych i innych krajach. VMware® jest zarejestrowanym znakiem towarowym firmy VMware, Inc. w Stanach Zjednoczonych i/lub innych jurysdykcjach.

W niniejszym dokumencie mogą zostać także użyte inne znaki towarowe i nazwy handlowe w odniesieniu do podmiotów posiadających prawa do znaków i nazw lub do ich produktów. Firma Dell Inc. nie rości sobie żadnych praw do znaków towarowych i nazw handlowych innych niż jej własne.

Dotyczy modeli E03J i E04J

2011 - 08 P/N NKX4V Wer. A02

## Zanim zaczniesz



**UWAGA:** Termin macierz pamięci masowej Dell PowerVault MD3600f, używany w niniejszej dokumentacji, odnosi się zarówno do modelu Dell PowerVault MD3600f, jak i Dell PowerVault MD3620f. Podobnie termin Dell PowerVault MD1200 odnosi się zarówno do modelu Dell PowerVault MD1200, jak i Dell PowerVault MD1220.

Przed konfiguracją macierzy pamięci masowej PowerVault MD3600f należy wziąć pod uwagę najlepsze praktyki, aby zapewnić maksymalną wydajność i pełną nadmiarowość macierzy pamięci masowej (w razie potrzeby).

- Aby zapewnić nadmiarowość, macierz pamięci masowej należy połączyć z serwerem głównym przy użyciu dwóch kart magistrali hosta (HBA) Fibre Channel (FC). Jeśli nadmiarowość jest niepotrzebna, do macierzy pamięci masowej podłączana jest tylko jedna karta magistrali hosta (FC HBA). Pełną listę obsługiwanych kart magistrali hosta (HBA) można znaleźć w tabeli *Support Matrix* (Obsługiwane karty HBA). Więcej informacji o instalowaniu sterowników kart HBA można znaleźć w dokumencie *Configuring Fibre Channel With the Dell MD3600f Series Storage Array* (Konfigurowanie kart Fibre Channel z macierzą pamięci masowej Dell MD3600f). Oba dokumenty można pobrać ze strony [support.dell.com/manuals](http://support.dell.com/manuals).
- Przed podłączeniem kabli między serwerem głównym i macierzą pamięci masowej należy sprawdzić etykiety poszczególnych portów i złączy.
- Zawsze należy przestrzegać odpowiednich procedur włączania i wyłączania zasilania w całej sieci. Najważniejsze elementy sieci należy podłączać do różnych obwodów zasilania.

### Praca z modułami SFP i kablami światłowodowymi



**UWAGA:** Modułów SFP+ można używać w przypadku połączeń Fibre Channel o przepustowości 8 GB. W niniejszym dokumencie terminem SFP są określane wszystkie rodzaje modułów SFP.

Każdy kontroler pamięci masowej może mieć do czterech portów hostów FC. Do połączenia portu hosta z hostem lub przełącznikiem jest używany moduł o małej wielkości (SFP). Kabel światłowodowy jest podłączany do modułu SFP, który został wcześniej włożony do portu hosta. Druga końcówka kabla jest podłączana do złącza interfejsu światłowodowego w karcie FC HBA hosta lub przełącznika. Moduły SFP są produktami laserowymi.



**OSTRZEŻENIE: W środowiskach przetwarzania danych może być wykorzystywany sprzęt przesyłający dane po łączach systemowych przy użyciu modułów laserowych, które pracują z mocą większą niż określona dla sprzętu laserowego klasy 1. Nigdy nie należy zaglądać w końcówki kabli światłowodowego lub otwartego odbiornika.**

### **Wskazówki dotyczące korzystania z kabli światłowodowych**

- Nie należy układać kabla światłowodowego w składanym organizatorze kabli.
- W przypadku urządzeń wysuwanych należy dobrać długość kabli, tak aby w przypadku wysunięcia ich zagięcie miało średnicę nie mniejszą niż 76 mm (3") lub promień nie mniejszy niż 38 mm (1,5") albo w przypadku schowania nie zostały zaciśnięte.
- Kabel należy poprowadzić w miejscu, w którym nie zostanie uszkodzony przez inne urządzenia zamontowane w stojaku.
- Nie należy używać opasek zaciskowych z tworzywa sztucznego zamiast dostarczonych pasków.
- Nie należy zbyt mocno zaciskać pasków do kabli lub układać kabli w taki sposób, aby zagięcie miało średnicę mniejszą niż 76 mm (3") lub promień mniejszy niż 38 mm (1,5").
- Nie należy nadmiernie obciążać kabli światłowodowych w miejscu podłączenia. Należy zapewnić odpowiednie mocowanie kabli światłowodowych.


### **Wskazówki dotyczące korzystania z modułów SFP**

Do korzystania z macierzy pamięci masowej wymagane są moduły SFP. Moduły SFP konwertują sygnały elektryczne na promienie światła, które są wymagane do transmisji danych do i z modułów kontrolera macierzy RAID przez kabel światłowodowy. Po zainstalowaniu modułów SFP do połączenia macierzy pamięci masowej z innymi urządzeniami wyposażonymi w interfejsy FC wykorzystywane są kable światłowodowe. Przed instalacją modułów SFP i kabli światłowodowych należy zapoznać się z poniższymi instrukcjami:


- Do pracy z macierzą pamięci masowej PowerVault MD3600f można używać tylko modułów SFP zalecanych przez firmę Dell. Moduły SFP innych producentów są nieobsługiwane i mogą nie współpracować z macierzami pamięci masowej.



- Na obudowie modułu SFP znajduje się wpust ustalający, który uniemożliwia włożenie modułu do portu w sposób niewłaściwy.
- Należy ostrożnie i delikatnie wkładać moduł SFP do portu FC. Użycie nadmiernej siły może spowodować uszkodzenie modułu SFP lub portu.
- Moduł SFP można wkładać lub wyjmować, gdy port jest włączony.
- Moduł SFP należy włożyć do portu hosta przed podłączeniem kabla światłowodowego.
- Przed wyjęciem modułu SFP z portu należy odłączyć od niego kabel światłowodowy.

 **PRZESTROGA:** Należy zachować szczególną ostrożność podczas wykonywania prac przy urządzeniach wrażliwych na wyładowania elektrostatyczne, aby ich nie uszkodzić ładunkiem elektryczności statycznej.

## Pozostała dokumentacja i wymagane nośniki

 **OSTRZEŻENIE:** Zobacz uwagi dotyczące bezpieczeństwa i przepisów prawnych w dokumencie dostarczonym wraz z systemem. Informacje dotyczące gwarancji mogą zostać zamieszczone w tym dokumencie lub dostarczone jako oddzielny dokument.



**UWAGA:** Dokumentację dotyczącą macierzy pamięci masowej PowerVault MD3600f można znaleźć na stronie [support.dell.com/manuals](http://support.dell.com/manuals).

- Dokumentacja dołączona do stojaka przedstawia sposób montowania w nim systemu.
- *Podręcznik użytkownika* zawiera informacje o funkcjach systemu i opis sposobów rozwiązywania problemów zaistniałych podczas użytkowania systemu, a także instrukcje dotyczące instalacji lub wymiany elementów systemu.
- *Podręcznik wdrożeniowy* zawiera informacje o instalacji oraz konfiguracji oprogramowania i sprzętu.
- *Podręcznik CLI* zawiera informacje o korzystaniu z interfejsu wiersza poleceń (CLI - Command Line Interface) do konfiguracji i zarządzania macierzą pamięci masowej.
- *Podręcznik programisty SMI-S* zawiera informacje o korzystaniu z usługi SMI-S i programowaniu SMI-S.

- Wszystkie nośniki dostarczone z systemem zawierające dokumentację i narzędzia do konfiguracji komputera oraz zarządzania nim, wliczając te, które dotyczą systemu operacyjnego, oprogramowania do zarządzania systemem, aktualizacji systemu oraz elementów nabytych wraz z komputerem.



**UWAGA:** Należy zawsze sprawdzać, czy na stronie [support.dell.com/manuals](https://support.dell.com/manuals) pojawiły się aktualizacje, i zapoznawać się z nimi w pierwszej kolejności, ponieważ informacje w nich zawarte zastępują informacje z innych dokumentów.

## Obsługiwane systemy operacyjne

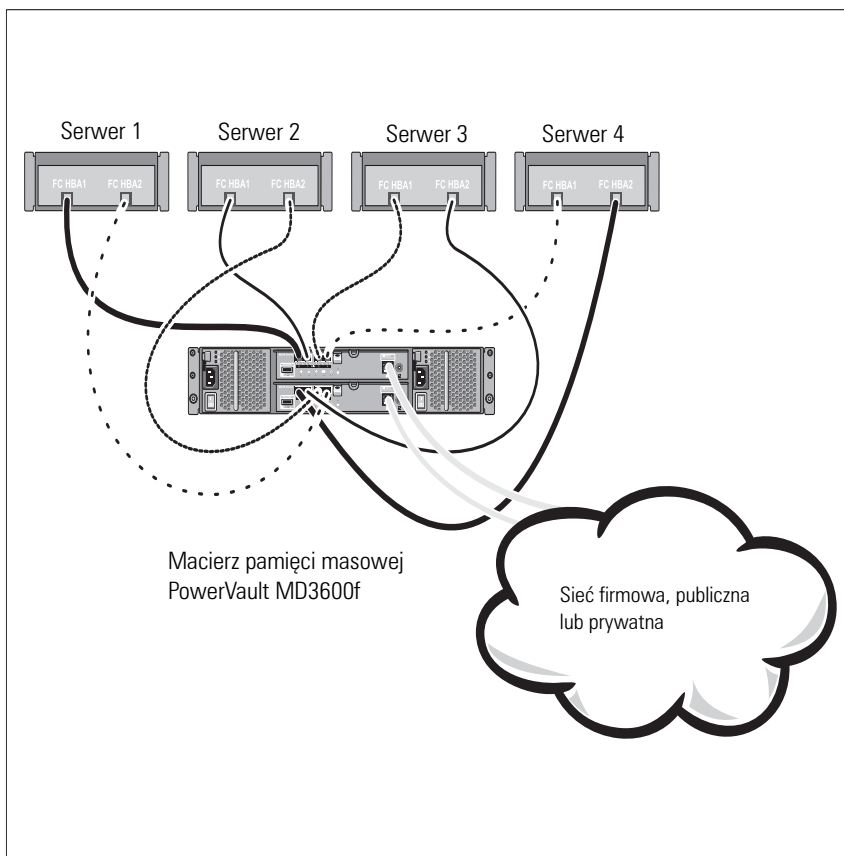
- Microsoft Windows Server
- Red Hat Enterprise Linux
- SUSE Linux Enterprise Server
- VMware



**UWAGA:** Więcej informacji o obsługiwanych wersjach systemów operacyjnych można znaleźć w tabeli *Support Matrix* (Obsługiwane systemy operacyjne) na stronie [support.dell.com/manuals](https://support.dell.com/manuals).

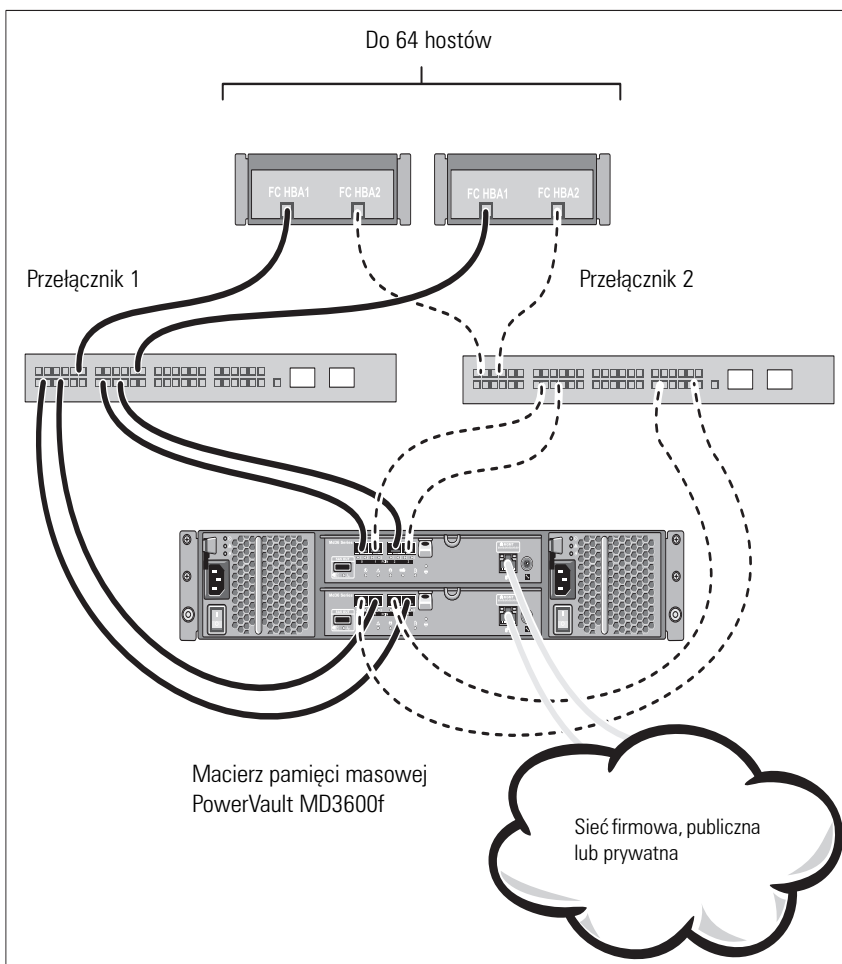
# Typowe konfiguracje

## Podłączanie hostów dołączanych bezpośrednio




## Podłączenie hostów dołączanych przez sieć SAN

Poniższy rysunek przedstawia system nadmiarowy. Na przykład system wykorzystywany w środowisku replikacji zdalnej.



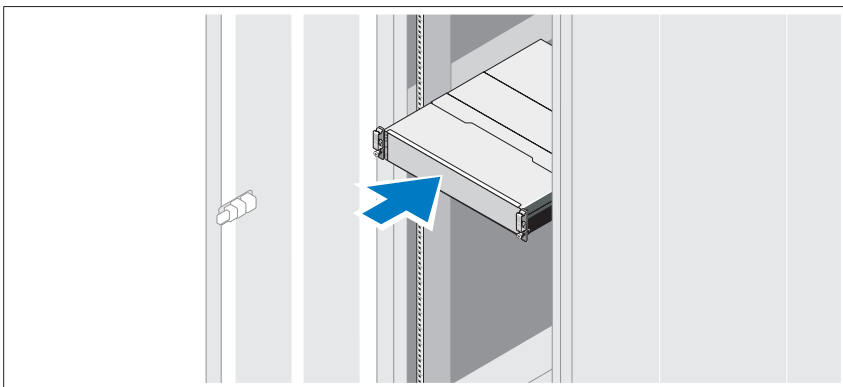
# Instalacja i konfiguracja

 **OSTRZEŻENIE:** Przed rozpoczęciem wykonywania poniższej procedury należy zapoznać się z instrukcjami dotyczącymi bezpieczeństwa dołączonymi do systemu.


## Rozpakowanie systemu

Rozpakuj system i zidentyfikuj poszczególne elementy z listy dostarczonej wraz z systemem.

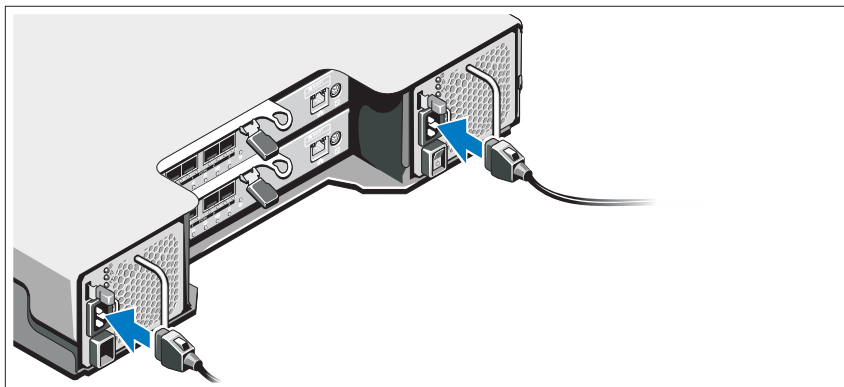
## Instalowanie przewodnic i systemu w stojaku



Zamontuj przewodnice i zainstaluj system w stojaku zgodnie z instrukcjami dotyczącymi bezpieczeństwa oraz instrukcjami dotyczącymi montowania systemów w stojaku dostarczonymi wraz z systemem.

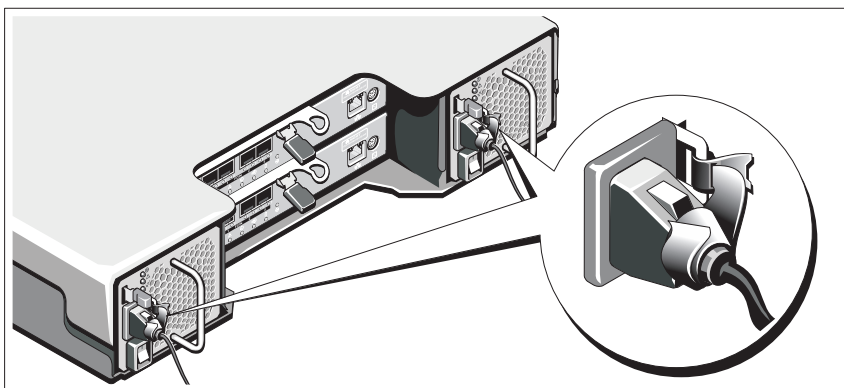
 **UWAGA:** Aby zrównoważyć obciążenie stojaka, zaleca się instalowanie macierzy pamięci masowej PowerVault MD3600f w dolnej części stojaka, a obudowy rozszerzenia PowerVault MD1200 w górnej części.

## Podłączanie kabli zasilania



Upewnij się, że przycisk zasilania znajduje się w położeniu wyłączony przed przystąpieniem do podłączania kabli zasilania. Podłącz kable zasilania do systemu.

## Mocowanie kabli zasilania



Zamocuj kable na wsporniku, używając załączonej opaski.


Następnie podłącz drugą końcówkę kabli zasilania do uziemionego gniazdka elektrycznego lub oddzielnego źródła zasilania, np. do zasilania bezprzerwowego (UPS) lub do jednostki rozdziału zasilania (PDU). Każdy zasilacz należy podłączyć do oddzielnego obwodu zasilania.

## Wkładanie i wyjmowanie modułów SFP


Aby włożyć moduł SFP do portu:

- 1 Jeśli we wszystkich portach FC IN znajdują się już moduły SFP, przejdź do krok 5.
- 2 Wyjmij moduł SFP z ochronnego opakowania antystatycznego.
- 3 Zdejmij zatyczkę ochronną z modułu SFP i portu hosta. Zachowaj zatyczki ochronne w celu późniejszego użycia.
- 4 Włóż moduł SFP do portu hosta, aż zatrzaśnie się na miejscu.
- 5 Podłącz kabel światłowodowy. Zobacz „Podłączanie i odłączanie kabli światłowodowych” na stronie 118.

Aby wyjąć moduł SFP z portu:

- 1 Odłącz kabel światłowodowy od modułu SFP. Zobacz „Podłączanie i odłączanie kabli światłowodowych” na stronie 118.  
 **UWAGA:** Aby uniknąć uszkodzenia kabla światłowodowego lub modułu SFP, przed wyjęciem modułu SFP z portu odłącz od niego kabel światłowodowy.
- 2 Odblokuj zatrzaś modułu SFP. W przypadku modułów SFP wyposażonych w zatrzaśki z drutu pociągnij zatrzaśki z drutu na zewnątrz pod kątem 90°, aby odblokować moduł SFP.
- 3 Wyjmij moduł SFP z portu hosta, gdy jego zatrzaśki znajduje się w położeniu otwarte. W przypadku modułów SFP wyposażonych w zatrzaśki plastikowe pociągnij za zatrzaśki plastikowe i wyjmij moduł SFP z portu hosta.
- 4 Załóż zatyczki ochronne na moduł SFP i port hosta.
- 5 Włóż moduł SFP do ochronnego opakowania antystatycznego.

## Podłączanie i odłączanie kabli światłowodowych

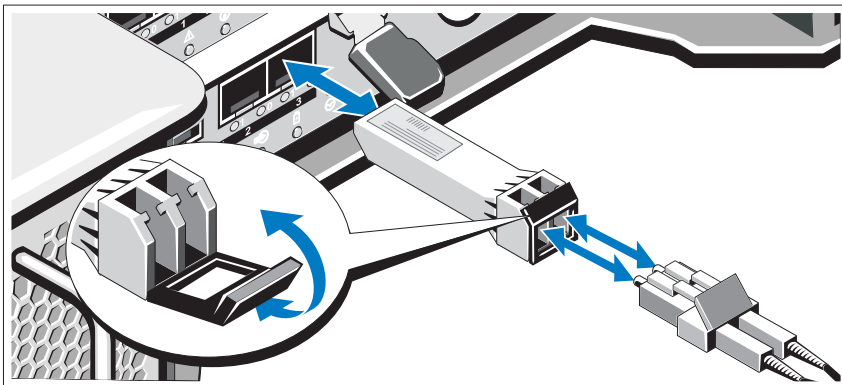
 **OSTRZEŻENIE: W środowiskach przetwarzania danych może być wykorzystywany sprzęt przesyłający dane po łączach systemowych przy użyciu modułów laserowych, które pracują z mocą większą niż określona dla sprzętu laserowego klasy 1. Nigdy nie należy zaglądać w końcówki kabla światłowodowego lub otwartego odbiornika.**

Przed podłączeniem kabla światłowodowego zobacz „Wskazówki dotyczące korzystania z kabli światłowodowych” na stronie 110.

Aby podłączyć kabel światłowodowy:

- 1 Jeśli dotyczy, zdejmij zatyczkę ochronną z modułu SFP i zachowaj w celu późniejszego użycia.
- 2 Zdejmij dwie zatyczki ochronne z jednego końca kabla światłowodowego i zachowaj je w celu późniejszego użycia.
- 3 Włóż kabel do modułu SFP znajdującego się w porcie macierzy pamięci masowej. Złącze kabla jest wyposażone we wpust ustalający, który uniemożliwia podłączenie kabla światłowodowego w sposób niewłaściwy. Trzymając za złącze, dociśnij kabel światłowodowy, aż zatrzaśnie się na miejscu.
- 4 Zdejmij zatyczki ochronne z drugiego końca kabla światłowodowego i zachowaj je w celu późniejszego użycia.
- 5 Podłącz ten koniec kabla do jednego z poniższych urządzeń:
  - Modułu SFP znajdującego się w porcie FC przełącznika
  - Portu karty magistrali hosta (FC HBA)

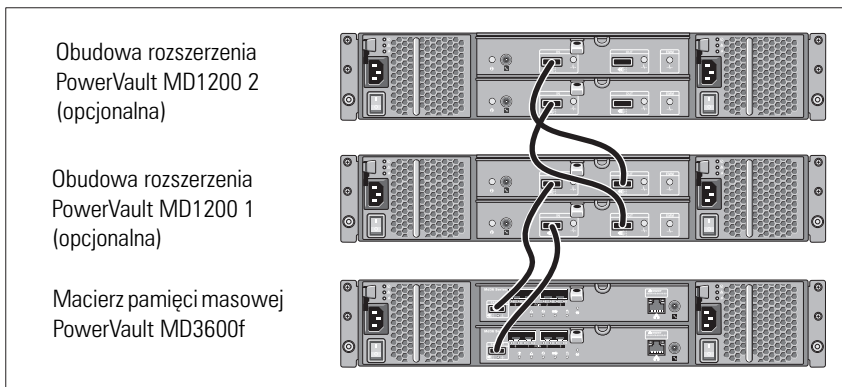




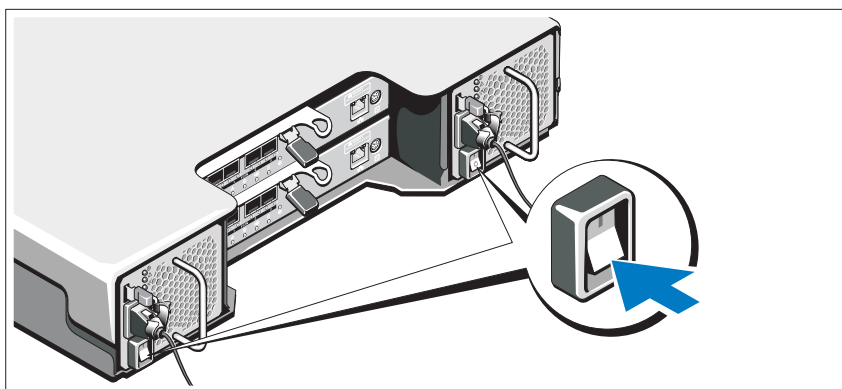
Aby odłączyć kabel światłowodowy:

- 1** Przed odłączeniem kabla światłowodowego od modułu SFP naciśnij i przytrzymaj dźwignię, aby zwolnić zatrzaski. Upewnij się, że podczas wyjmowania kabla światłowodowego dźwignie znajdują się w położeniu otwarte. Podczas wyjmowania kabla nie chwytaj za zatrzask plastikowy modułu SFP.
- 2** Po stronie kabla światłowodowego, która jest podłączona do modułu SFP lub karty magistrali hosta (HBA), naciśnij i przytrzymaj dźwignię, aby zwolnić zatrzaski.
- 3** Przytrzymując dźwignię, pociągnij za złącze kabla światłowodowego, aby odłączyć go od modułu SFP.
- 4** Załóż zatyczki ochronne na końcówki kabla światłowodowego.
- 5** Załóż zatyczkę ochronną na moduł SFP.

## Podłączenie obudowy rozszerzenia



## Włączanie macierzy pamięci masowej



Elementy należy włączać w następującej kolejności:

- 1 Przełączniki FC (jeśli są używane)
- 2 Obudowy rozszerzenia MD1200 (jeśli są używane)



**UWAGA:** Przed włączeniem macierzy pamięci masowej, upewnij się, że wskaźnik LED obudowy rozszerzenia świeci na niebiesko.

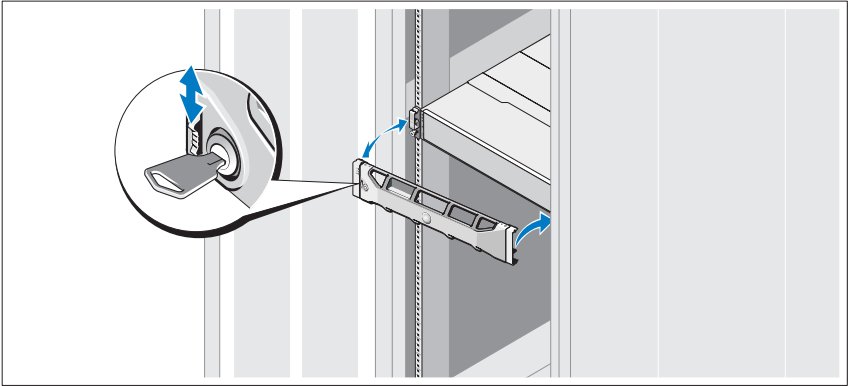
- 3 Macierz pamięci masowej MD3600f



**UWAGA:** Przed włączeniem serwerów głównych, upewnij się, że wskaźnik LED macierzy pamięci masowej świeci na niebiesko.

- 4 Serwery główne

## Instalowanie osłony



Zamontuj osłonę (opcjonalną).

## Instalowanie kart magistrali hosta (HBA) i sterowników



**UWAGA:** Przed przystąpieniem do tej procedury należy zapoznać się z dokumentem *Configuring Fibre Channel With the Dell MD3600f Series Storage Array* (Konfigurowanie kart Fibre Channel z macierzą pamięci masowej Dell MD3600f). Więcej informacji o instalacji oprogramowania MD Storage, konfiguracji obudowy i czynnościach wykonywanych po instalacji można znaleźć w podręczniku *Podręcznik wdrożeniowy*.

- 1 Zainstaluj karty magistrali hosta (HBA).
- 2 Podłącz kable.
- 3 Zainstaluj sterowniki karty magistrali hosta (HBA) oraz wszystkie poprawki i łatki do systemu operacyjnego.
- 4 Sprawdź, czy zastosowane zostały zalecane ustawienia karty magistrali hosta (HBA).

## Instalowanie oprogramowania MD Storage



**UWAGA:** Więcej informacji o instalacji oprogramowania MD Storage, konfiguracji obudowy i czynnościach wykonywanych po instalacji można znaleźć w podręczniku *Podręcznik wdrożeniowy*.

Aplikacja MD Storage Manager pozwala na konfigurację, zarządzanie i monitorowanie macierzy pamięci masowej. Aby zainstalować oprogramowanie MD Storage:




- 1 Włóż nośnik instalacyjny oprogramowania MD Storage do napędu.

Program instalacyjny może zostać uruchomiony automatycznie, zależnie od posiadanego systemu. Jeśli program instalacyjny nie zostanie uruchomiony automatycznie, przejdź do katalogu głównego nośnika instalacyjnego (lub pobranego obrazu programu instalacyjnego) i uruchom plik `md_launcher.exe`. W przypadku systemów Linux przejdź do katalogu głównego nośnika instalacyjnego i uruchom plik `autorun`.



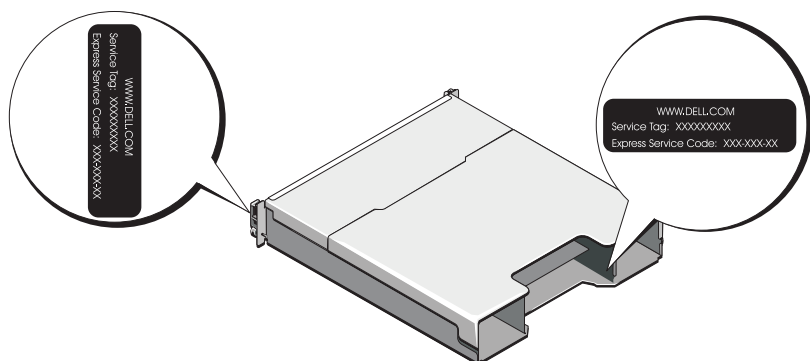
**UWAGA:** Domyślnie system operacyjny Red Hat Enterprise Linux montuje nośnik instalacyjny z opcją `-noexec`, która nie umożliwi uruchamiania plików wykonywalnych. Aby zmienić to ustawienie, należy zapoznać się z plikiem **Readme** znajdującym się w katalogu głównym nośnika instalacyjnego.

- 2 Wybierz opcję **Install MD Storage Software** (Zainstaluj oprogramowanie MD Storage).
- 3 Zapoznaj się z umową licencyjną i wyraż zgodę na jej warunki.
- 4 Wybierz jedną z poniższych opcji z listy rozwijanej **Install Set** (Zestaw instalacyjny):
  - **Full (recommended)** (Pełna (zalecana)) — opcja obejmuje instalację oprogramowania MD Storage Manager (klient), agenta pamięci masowej, sterownika wielościeżkowego i usługi sprzętowych.
  - **Host Only** (Tylko host) — opcja obejmuje instalację agenta pamięci masowej i sterownika wielościeżkowego.
  - **Management** (Zarządzanie) — opcja obejmuje instalację oprogramowania do zarządzania i usług sprzętowych.
  - **Custom** (Niestandardowa) — opcja umożliwia wybór poszczególnych składników.
- 5 Wybierz modele macierzy pamięci masowej MD, które będą konfigurowane jako pamięć masowa dla tego serwera głównego.

- 6 Ustaw, czy usługa monitorowania zdarzeń ma być uruchamiana automatycznie po ponownym uruchomieniu serwera głównego.
  -  **UWAGA:** Ta opcja dotyczy tylko instalacji oprogramowania klienta w systemie Windows.
- 7 Potwierdź katalog instalacji i kliknij przycisk **Install** (Instaluj).
- 8 Po zakończeniu instalacji i wyświetleniu monitu ponownie uruchom serwer główny.
- 9 Uruchom oprogramowanie **MD Storage Manager** i przeprowadź operację wykrywania macierzy.
  -  **UWAGA:** Jeśli w sieci, do której macierz pamięci masowej jest podłączona za pomocą portów do zarządzania, nie ma serwera DHCP (Dynamic Host Configuration Protocol), zaleca się włączenie na stacji zarządzania obsługi protokołu IPv6 w celu wykrycia macierzy pamięci masowej.
- 10 Skonfiguruj przełączniki Fibre Channel do pracy z podziałem na strefy z jednym inicjatorem i wieloma celami. Więcej informacji o podziale na strefy można znaleźć w *Podręczniku wdrożeniowym*.
- 11 Jeśli dotyczy, aktywuj dodatkowe funkcje zamówione z macierzą pamięci masowej. Aby dowiedzieć się więcej o funkcjach Premium, zapoznaj się z drukowaną kartą aktywacji dostarczoną w zestawie.
  -  **UWAGA:** Program instalacyjny oprogramowania **MD Storage Manager** powoduje automatyczną instalację sterowników, oprogramowania układowego oraz poprawek i łatek systemu operacyjnego wymaganych do obsługi macierzy pamięci masowej. Sterowniki i oprogramowanie układowe są również dostępne na stronie **support.dell.com**. Więcej informacji o dodatkowych ustawieniach i oprogramowaniu wymaganym do prawidłowej pracy macierzy pamięci masowej można znaleźć w tabeli *Support Matrix* na stronie **support.dell.com/manuals**.

## Znajdowanie kodu Service Tag

Każdy system jest oznaczony unikatowym kodem Express Service Code i Service Tag. Kody Express Service Code i Service Tag znajdują się na panelu przednim systemu oraz obok modułów kontrolera RAID z tyłu systemu. Informacje są używane przez firmę Dell do kierowania rozmowy telefonicznej bezpośrednio do właściwego działu pomocy technicznej.



## Informacja NOM (tylko Meksyk)

Informacje przedstawione poniżej dotyczą urządzenia opisanego w niniejszym dokumencie i są zgodne z wymogami standardowych norm obowiązujących w Meksyku (NOM):

|                     |                                                                                                                   |
|---------------------|-------------------------------------------------------------------------------------------------------------------|
| Importer:           | Dell Inc. de México, S.A. de C.V.<br>Paseo de la Reforma 2620 -11º Piso<br>Col. Lomas Altas<br>11950 México, D.F. |
| Numer modelu:       | E03J i E04J                                                                                                       |
| Napięcie zasilania: | 100–240 V prądu zmiennego                                                                                         |
| Częstotliwość:      | 50/60 Hz                                                                                                          |
| Pobór prądu:        | 8,6 A                                                                                                             |

## Dane techniczne

---

### Napędy

---

|                    |                                                                                                                 |
|--------------------|-----------------------------------------------------------------------------------------------------------------|
| PowerVault MD3600f | Obsługa do dwunastu 3,5-calowych, wymiennych podczas pracy dysków twardych SAS (3,0 Gb/s i 6,0 Gb/s)            |
| PowerVault MD3620f | Obsługa do dwudziestu czterech 2,5-calowych, wymiennych podczas pracy dysków twardych SAS (3,0 Gb/s i 6,0 Gb/s) |

---

### Moduły kontrolera RAID

---

|                        |                                                                                                                                                                                |
|------------------------|--------------------------------------------------------------------------------------------------------------------------------------------------------------------------------|
| Moduły kontrolera RAID | <ul style="list-style-type: none"><li>• Jeden lub dwa wymienniane podczas pracy moduły z czujnikami temperatury</li><li>• 2 GB pamięci podręcznej na każdy kontroler</li></ul> |
|------------------------|--------------------------------------------------------------------------------------------------------------------------------------------------------------------------------|

---

### Złącza na panelu tylnym (dla każdego modułu kontrolera RAID)

---

|                  |                                                                                                                                                           |
|------------------|-----------------------------------------------------------------------------------------------------------------------------------------------------------|
| Złącza FC        | Cztery porty wejściowe FC do podłączenia hostów                                                                                                           |
| Złącze SAS       | Jeden port wyjściowy SAS do podłączenia dodatkowej obudowy rozszerzenia PowerVault MD12xx<br><b>UWAGA:</b> Złącze SAS jest zgodne ze standardem SFF-8088. |
| Złącze szeregowo | Jedno 6-stykowe złącze mini-DIN<br><b>UWAGA:</b> Wyłącznie do obsługi serwisowej.                                                                         |

---

## Złącza na panelu tylnym (dla każdego modułu kontrolera RAID) *(ciąg dalszy)*

---

Złącza sieci Ethernet do zarządzania

Jeden port 100/1000 Base-T sieci Ethernet do pozapasmowego zarządzania obudową

**UWAGA:** Adresy IP portów do zarządzania dla podstawowego i pomocniczego modułu kontrolera RAID są domyślnie ustawione na odpowiednio 192.168.128.101 i 192.168.128.102. Domyślnie adresy IP portów do zarządzania są jednak konfigurowane automatycznie za pośrednictwem protokołu Dynamic Host Configuration Protocol (DHCP). Jeśli sterownik nie będzie mógł uzyskać adresu IP z serwera DHCP w określonym czasie (w przybliżeniu 3 minuty) przywrócone zostaną domyślne, statyczne adresy IP. Więcej informacji można znaleźć w *Podręczniku wdrożeniowym*.

---

## Obudowa rozszerzenia

---

PowerVault MD1200

Obsługa maksymalnie do 192 dysków twardech w dowolnej konfiguracji obudów rozszerzenia PowerVault MD1200 lub PowerVault MD1220. Obsługa 192 dysków twardech jest funkcją Premium i wymaga dodatkowej aktywacji. Maksymalna liczba obsługiwanych dysków twardech bez funkcji Premium wynosi 120.

Łączność przy użyciu nadmiarowych ścieżek danych zapewnia nadmiarowe ścieżki danych dla każdego dysku twardego.

---

## Tablica połączeń

---

Złącza

- Złącza dla 12 lub 24 dysków twardech SAS
- Dwa złącza dla zasilacza i modułu wentylatora
- Dwa zestawy złączy dla modułu kontrolera RAID
- Jedno złącze panelu sterowania dla wskaźników LED na panelu przednim i przycisk identyfikacji systemu

Czujniki

Dwa czujniki temperatury



---

## Wskaźniki LED

---

|                       |                                                                                                                                                                                                                                                                                                                                                                                                                                                                                                                                                                                                                                                                                                               |
|-----------------------|---------------------------------------------------------------------------------------------------------------------------------------------------------------------------------------------------------------------------------------------------------------------------------------------------------------------------------------------------------------------------------------------------------------------------------------------------------------------------------------------------------------------------------------------------------------------------------------------------------------------------------------------------------------------------------------------------------------|
| Panel przedni         | <ul style="list-style-type: none"><li>• Jeden dwukolorowy wskaźnik LED informujący o stanie systemu</li><li>• Dwa jednokolorowe wskaźniki LED informujące o zasilaniu i trybie pracy obudowy</li></ul> <p><b>UWAGA:</b> Wskaźnik LED trybu pracy obudowy nie jest używany w macierzy pamięci masowej PowerVault MD3600f.</p>                                                                                                                                                                                                                                                                                                                                                                                  |
| Nośnik dysku twardego | <ul style="list-style-type: none"><li>• Jeden jednokolorowy wskaźnik LED informujący o pracy dysku</li><li>• Jeden dwukolorowy wskaźnik LED informujący o stanie każdego dysku</li></ul>                                                                                                                                                                                                                                                                                                                                                                                                                                                                                                                      |
| Zasilacz/wentylator   | Trzy wskaźniki LED informujące o stanie zasilacza, awarii zasilacza/wentylatora i stanie zasilania prądem zmiennym                                                                                                                                                                                                                                                                                                                                                                                                                                                                                                                                                                                            |
| Moduł kontrolera RAID | Czternaście jednokolorowych wskaźników LED: <ul style="list-style-type: none"><li>• Jeden informujący o uszkodzeniu baterii</li><li>• Jeden informujący o aktywności pamięci podręcznej</li><li>• Jeden informujący o awarii kontrolera</li><li>• Jeden informujący o zasilaniu kontrolera</li><li>• Jeden informujący o identyfikacji systemu</li><li>• Jeden informujący o aktywności portu Ethernet do zarządzania</li><li>• Osiem informujących o stanie lub awarii portu FC</li></ul> Dwa dwukolorowe wskaźniki LED: <ul style="list-style-type: none"><li>• Jeden informujący o stanie lub awarii portu wyjściowego SAS</li><li>• Jeden informujący o szybkości łącza Ethernet do zarządzania</li></ul> |

---

**Przełącznik**

---

|                                |                                                                                                                               |
|--------------------------------|-------------------------------------------------------------------------------------------------------------------------------|
| Przycisk identyfikacji systemu | Umieszczony na przednim panelu sterowania. Ten przycisk jest używany do lokalizacji systemu w stojaku.                        |
| Przycisk trybu pracy obudowy   | Umieszczony na panelu przednim systemu. Przełącznika nie można stosować w macierzy pamięci masowej PowerVault MD3600f.        |
| Przycisk resetowania hasła     | Umieszczony na panelu tylnym modułu kontrolera RAID. Ten przycisk jest używany do resetowania hasła macierzy pamięci masowej. |

---

**Zasilanie**

---

Zasilacz prądu zmiennego (na zasilacz)

|                                      |                                                                                                                                                                               |
|--------------------------------------|-------------------------------------------------------------------------------------------------------------------------------------------------------------------------------|
| Moc                                  | 600 W                                                                                                                                                                         |
| Napięcie                             | 100 – 240 V prądu zmiennego (8,6 A – 4,3 A)                                                                                                                                   |
| Emisja ciepła                        | 100 W                                                                                                                                                                         |
| Maks. natężenie prądu przy włączeniu | Przy typowym zasilaniu i w całym dozwolonym zakresie warunków pracy systemu natężenie prądu przy włączeniu może osiągnąć maksymalnie 55 A na zasilacz przez 10 ms lub krócej. |

---

**Dostępne zasilanie dysku twardego (dla każdego gniazda)**

---

|                    |      |
|--------------------|------|
| PowerVault MD3600f | 25 W |
| PowerVault MD3620f | 12 W |

---

**Dostępne zasilanie modułu kontrolera RAID (dla każdego gniazda)**

---

|                            |       |
|----------------------------|-------|
| Maksymalne zużycie energii | 100 W |
|----------------------------|-------|

---

**Cechy fizyczne**

---

PowerVault MD3600f

|           |                       |
|-----------|-----------------------|
| Wysokość  | 8,68 cm (3,41 cala)   |
| Szerokość | 44,63 cm (17,57 cala) |

---

**Cechy fizyczne (ciąg dalszy)**

---

|                                      |                       |
|--------------------------------------|-----------------------|
| Głębokość                            | 60,20 cm (23,70 cala) |
| Waga (przy maksymalnej konfiguracji) | 29,30 kg (64,6 funta) |
| Waga (bez wyposażenia)               | 8,84 kg (19,5 funta)  |
| PowerVault MD3620f                   |                       |
| Wysokość                             | 8,68 cm (3,41 cala)   |
| Szerokość                            | 44,63 cm (17,57 cala) |
| Głębokość                            | 54,90 cm (21,61 cala) |
| Waga (przy maksymalnej konfiguracji) | 24,22 kg (53,4 funta) |
| Waga (bez wyposażenia)               | 8,61 kg (19 funtów)   |

---

**Warunki otoczenia**

---

**UWAGA:** Dodatkowe informacje o warunkach otoczenia przewidzianych dla poszczególnych konfiguracji systemu można znaleźć na stronie [www.dell.com/environmental\\_datasheets](http://www.dell.com/environmental_datasheets).

Temperatura:

|                     |                                                                                                                                                                                                                                                                                          |
|---------------------|------------------------------------------------------------------------------------------------------------------------------------------------------------------------------------------------------------------------------------------------------------------------------------------|
| W trakcie pracy     | Od 10°C do 35°C (od 50°F do 95°F) przy maksymalnym gradiencie temperaturowym 10°C na godzinę<br><b>UWAGA:</b> W przypadku wysokości powyżej 2950 stóp (ok. 900 m) maksymalna temperatura, w jakiej urządzenie może pracować, obniża się o 1°F (ok. 0,6°C) na każde 550 stóp (ok. 167 m). |
| Przechowywanie      | Od 40 do 65°C (od 40 do 149°F) przy maksymalnym gradiencie temperaturowym 20°C na godzinę                                                                                                                                                                                                |
| Wilgotność względna |                                                                                                                                                                                                                                                                                          |
| W trakcie pracy     | Od 20 do 80% (bez kondensacji) przy maksymalnym gradiencie wilgotności 10% na godzinę                                                                                                                                                                                                    |
| Przechowywanie      | Od 5% do 95% (bez kondensacji)                                                                                                                                                                                                                                                           |
| Maksymalne drgania  |                                                                                                                                                                                                                                                                                          |
| W trakcie pracy     | 0,25 G przy częstotliwości 3 – 200 Hz przez 15 min                                                                                                                                                                                                                                       |

---

**Warunki otoczenia (ciąg dalszy)**

---

|                                   |                                                                                                                                                                                                                                      |
|-----------------------------------|--------------------------------------------------------------------------------------------------------------------------------------------------------------------------------------------------------------------------------------|
| Przechowywanie                    | 0,5 G przy częstotliwości 3 - 200 Hz przez 15 min                                                                                                                                                                                    |
| Maksymalny wstrząs                |                                                                                                                                                                                                                                      |
| W trakcie pracy                   | Jeden impuls wstrząsowy na dodatniej osi Z (jeden wstrząs po każdej stronie systemu) o sile 31 G, trwający przez 2,6 ms w kierunkach działania                                                                                       |
| Przechowywanie                    | Sześć kolejnych impulsów wstrząsowych na dodatniej i ujemnej stronie osi X, Y, Z (jeden wstrząs po każdej stronie systemu) o sile 71 G, trwających do 2 ms                                                                           |
| Wysokość n.p.m.                   |                                                                                                                                                                                                                                      |
| W trakcie pracy                   | Od -16 do 3048 m (od -50 do 10 000 stóp)<br><b>UWAGA:</b> W przypadku wysokości powyżej 2950 stóp (ok. 900 m) maksymalna temperatura, w jakiej urządzenie może pracować, obniża się o 1°F (ok. 0,6°C) na każde 550 stóp (ok. 167 m). |
| Przechowywanie                    | Od -16 do 10 600 m (od -50 do 35 000 stóp)                                                                                                                                                                                           |
| Poziom zanieczyszczeń w powietrzu |                                                                                                                                                                                                                                      |
| Klasa                             | G1 wg definicji w ISA-S71.04-1985                                                                                                                                                                                                    |

Массивы хранения данных

Dell PowerVault

MD3600f и MD3620f

# Начало работы с системой

Нормативная модель серии E03J и E04J



# Примечания, предупреждения и предостережения



**ПРИМЕЧАНИЕ:** ПРИМЕЧАНИЕ указывает на важную информацию, которая поможет использовать компьютер более эффективно.



**ВНИМАНИЕ:** ВНИМАНИЕ указывает на риск повреждения оборудования или потери данных в случае несоблюдения инструкций.



**ПРЕДУПРЕЖДЕНИЕ:** ОСТОРОЖНО указывает на потенциальную опасность повреждения оборудования, получения легких травм или угрозу для жизни.

---

Информация, содержащаяся в данной публикации, может быть изменена без уведомления.  
© 2011 Dell Inc. Все права защищены.

Воспроизведение материалов данного руководства в любой форме без письменного разрешения корпорации Dell Inc. строго запрещено.


Используемые в данном тексте товарные знаки: Dell™, логотип DELL и PowerVault™ являются товарными знаками корпорации Dell Inc. Microsoft® и Windows Server® являются товарными знаками или зарегистрированными товарными знаками корпорации Microsoft в Соединенных Штатах Америки и/или других странах. Red Hat® и Red Hat Enterprise Linux® являются зарегистрированными товарными знаками корпорации Red Hat, Inc. в США и других странах. SUSE® является зарегистрированным товарным знаком корпорации Novell, Inc. в США и других странах. VMware® является зарегистрированным товарным знаком корпорации VMware в США и/или других юрисдикциях.

Прочие товарные знаки и названия продуктов могут использоваться в данной публикации для обозначения компаний, заявляющих права на эти товарные знаки и названия, или продуктов этих компаний. Dell Inc. не претендует на права собственности в отношении каких-либо товарных знаков и торговых наименований, кроме своих собственных.

Нормативная модель серии E03J и E04J

2011 - 08 P/N NKX4V Ред. A02


## Предварительные замечания

 **ПРИМЕЧАНИЕ:** В этом документе под массивом хранения данных Dell PowerVault серии MD3600f подразумевается как модель Dell PowerVault MD3600f, так и Dell PowerVault MD3620f. Под корпусом расширения Dell PowerVault серии MD1200 подразумевается как Dell PowerVault MD1200, так и Dell PowerVault MD1220.

Перед установкой массива хранения данных PowerVault MD3600fi необходимо ознакомиться с рекомендациями по его эксплуатации – это позволит обеспечить работу массива с максимальной эффективностью и полной избыточностью (при необходимости).

- Если вам необходима избыточность, следует соединить хост-систему и массив хранения данных с помощью двух адаптеров несущей шины Fibre Channel (FC). Если избыточность не требуется, к массиву хранения данных подключается только один адаптер несущей шины FC. Список поддерживаемых адаптеров несущей шины см. в *Таблице техподдержки*; см также в разделе *Настройка Fibre Channel для использования с массивом хранения данных серии Dell MD3600f* сведения об установке драйверов адаптера несущей шины. Оба указанных документа можно загрузить на сайте [support.dell.com/manuals](http://support.dell.com/manuals).
- Перед соединением хост-сервера и массива хранения данных кабелями промаркируйте все порты и разъемы.
- Соблюдайте правила эксплуатации оборудования сети при включении и выключении питания. Критически важные компоненты сети должны питаться от отдельных силовых цепей.

### Работа с модулями SFP и оптоволоконными кабелями

 **ПРИМЕЧАНИЕ:** Соединения Fibre Channel 8 GB поддерживают модули SFP+. В общем, данный документ касается использования SFP

На каждом контроллере хранилища данных может быть до четырех портов хоста FC. Подключаемый модуль малого форм-фактора (SFP) используется для соединения порта хоста с хостом или коммутатором. Подключаемый модуль малого форм-фактора вставляется в порт, после чего в модуль вставляется оптоволоконный кабель. Второй конец оптоволоконного кабеля подключается к разъему оптического интерфейса в адаптере несущей шины FC на хосте или коммутаторе. В модулях малого форм-фактора используются лазеры.



**ПРЕДУПРЕЖДЕНИЕ:** Среды обработки данных могут включать оборудование, передающее данные через системные каналы с лазерными модулями, которые используют уровни питания, более высокие, чем Класс 1. Никогда не направляйте конец оптоволоконного кабеля или удлинителя в глаза.

### **Рекомендации по использованию оптоволоконных кабелей**

- Не прокладывайте кабель вдоль складного манипулятора для управления кабелем.
- В случае использования устройств на направляющих салазках не допускайте натяжения кабелей во избежание их изгиба с диаметром менее 76 мм (3 дюйма) или радиусом менее 38 мм (1,5 дюйма) при изменении положения устройства.
- Не прокладывайте кабель в местах, где его могут повредить другие устройства в стойке.
- Не используйте пластмассовые завязки для кабелей вместо прилагаемых манжет для кабелей.
- Не перетягивайте манжеты для кабелей и не изгибайте кабели с диаметром менее 76 мм (3 дюйма) или радиусом менее 38 мм (1,5 дюйма).
- Не допускайте воздействия на кабель избыточного веса в точке соединения. Обеспечивайте достаточную поддержку кабеля.

### **Рекомендации по использованию подключаемых модулей малого форм-фактора**

Для работы массива хранения данных требуются подключаемые модули малого форм-фактора. Подключаемые модули малого форм-фактора преобразуют электрические сигналы в оптические, необходимые для передачи данных по FC на модули контроллеров RAID и из них. После установки подключаемых модулей малого форм-фактора оптоволоконные кабели используются для подключения массива хранения данных к другим устройствам FC. Перед установкой подключаемых модулей малого форм-фактора и оптоволоконных кабелей ознакомьтесь со следующей информацией:



- Используйте с массивами хранения данных PowerVault MD3600f только поддерживаемые Dell подключаемые модули малого форм-фактора. Прочие подключаемые модули малого форм-фактора не поддерживаются и могут не работать с массивами хранения данных.
- Корпус подключаемого модуля малого форм-фактора включает интегральный направляющий ключ, который предотвращает неправильную вставку подключаемого модуля малого форм-фактора.
- При вставке подключаемого модуля малого форм-фактора в порт FC старайтесь прилагать минимальное усилие. Силовое воздействие на подключаемый модуль малого форм-фактора при его вставке в порт может привести к повреждению модуля или порта.
- Вставлять и извлекать подключаемый модуль малого форм-фактора можно, не отключая подачу питания на порт.
- Вставить подключаемый модуль малого форм-фактора в порт необходимо перед подключением оптоволоконного кабеля.
- Перед извлечением подключаемого модуля малого форм-фактора из порта следует извлечь из модуля оптоволоконный кабель.



**ВНИМАНИЕ:** При работе с устройствами, чувствительными к статическим зарядам, примите меры для предотвращения повреждения изделия от статического электричества.

## Другая необходимая документация и носители данных



**ПРЕДУПРЕЖДЕНИЕ:** Ознакомьтесь с правилами техники безопасности, включенными в комплект поставки системы. Условия гарантийного обязательства приведены в соответствующем разделе данного документа или в отдельном документе.



**ПРИМЕЧАНИЕ:** Полная документация по массиву PowerVault MD3600f доступна по адресу [support.dell.com/manuals](http://support.dell.com/manuals).

- В документации, поставляемой в комплекте со стойкой, содержатся инструкции по установке системы в стойку.
- В *Руководстве по эксплуатации оборудования* представлена информация о характеристиках системы, описан порядок устранения неисправностей системы, установки или замены ее компонентов.

- В *Руководстве по развертыванию* представлена информация об установке и настройке программного обеспечения и оборудования.
- В *Инструкциях к интерфейсу CLI (CLI Guide)* представлена информация об использовании интерфейса командной строки (CLI) для настройки и администрирования массива хранения данных.
- В документе *SMI-S Programmer's Guide* (Руководство программиста SMI-S) предоставляется информация об использовании поставщика SMI-S и программировании SMI-S.
- Любой носитель, поставляемый в комплекте с системой, содержащий документацию и программные средства для настройки системы и управления ею, включая компоненты, относящиеся к операционной системе, ПО для управления системой и обновления системы, а также компоненты, приобретенные вместе с системой.



**ПРИМЕЧАНИЕ:** Обязательно проверяйте страницу [support.dell.com/manuals](http://support.dell.com/manuals) на наличие обновлений. Обновленные документы часто заменяют собой другие материалы – читайте их в первую очередь.

## Поддерживаемые операционные системы

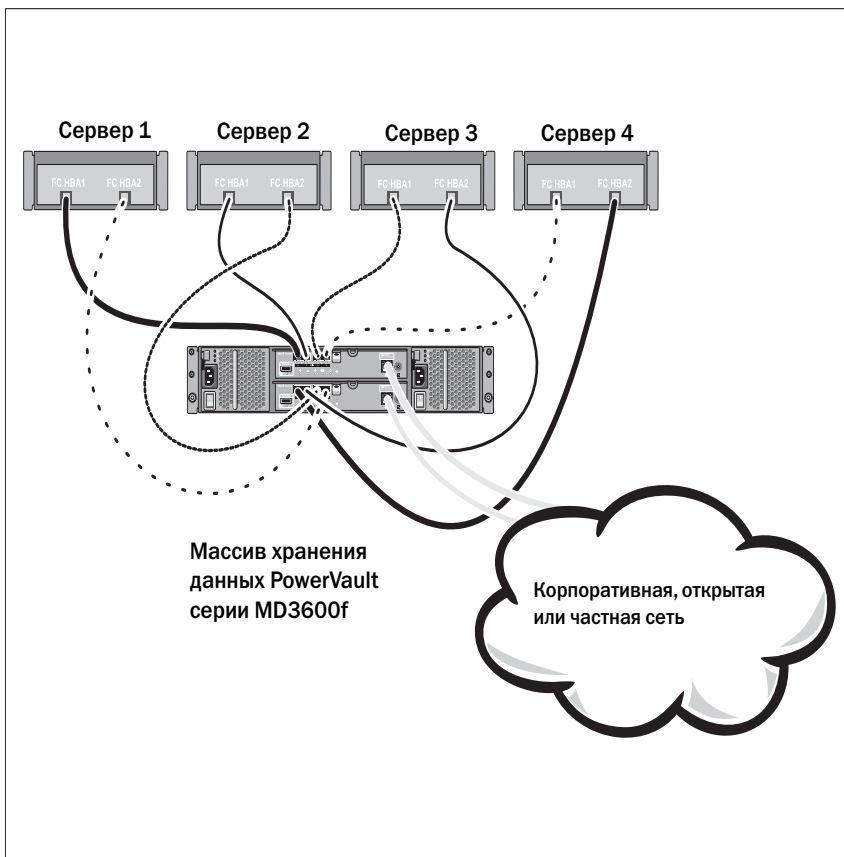
- Microsoft Windows Server
- Red Hat Enterprise Linux
- SUSE Linux Enterprise Server
- VMware



**ПРИМЕЧАНИЕ:** Последняя информация обо всех поддерживаемых версиях операционных систем приведена в разделе *Таблица техподдержки* по адресу [support.dell.com/manuals](http://support.dell.com/manuals).

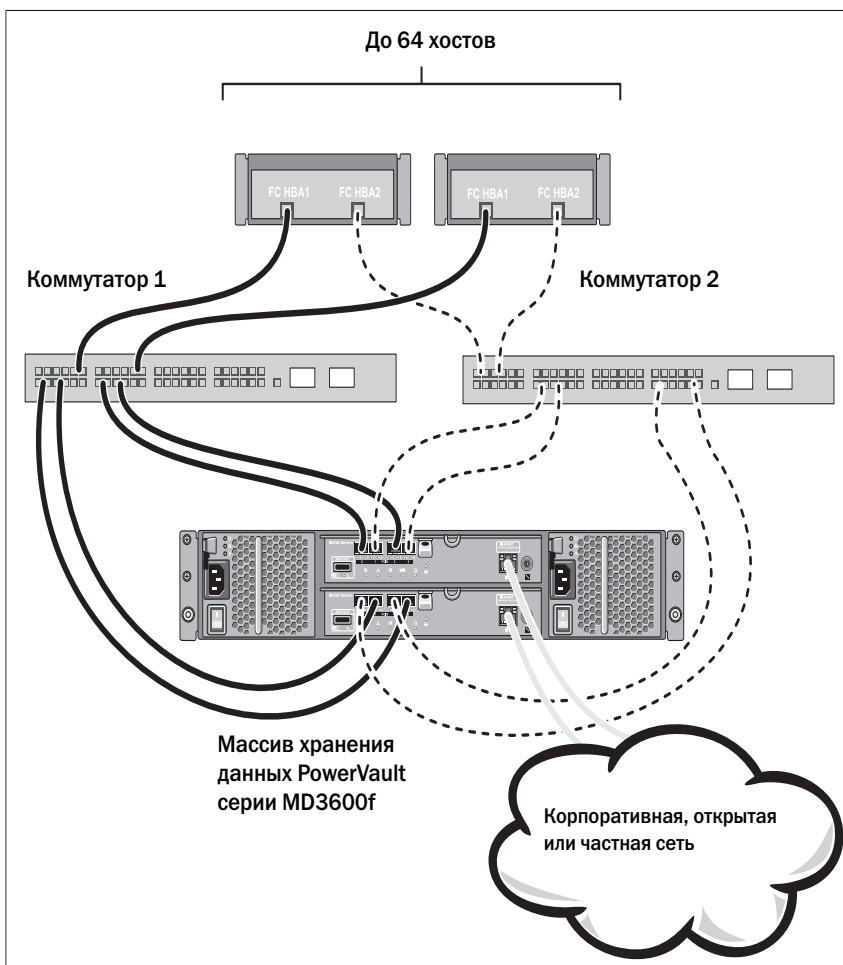
# Стандартные конфигурации

## Монтаж кабельной проводки хостов прямого подключения




## Монтаж кабельной проводки хостов в сети типа SAN

На рисунке ниже представлена избыточная система. В качестве примера можно привести систему, используемую в среде удаленной репликации данных.



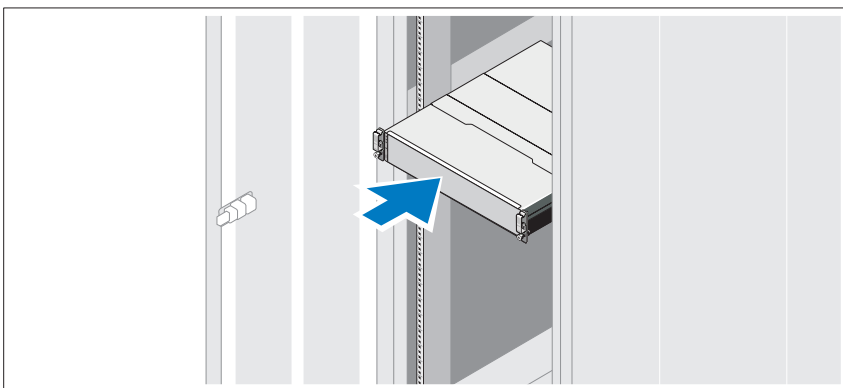
## Установка и конфигурирование

 **ПРЕДУПРЕЖДЕНИЕ:** Перед тем как приступить к выполнению следующей процедуры, изучите инструкции по технике безопасности, прилагаемые к системе.


### Распаковка системы

Распакуйте систему, найдите каждый элемент с помощью упаковочной описи, поставляемой вместе с системой.

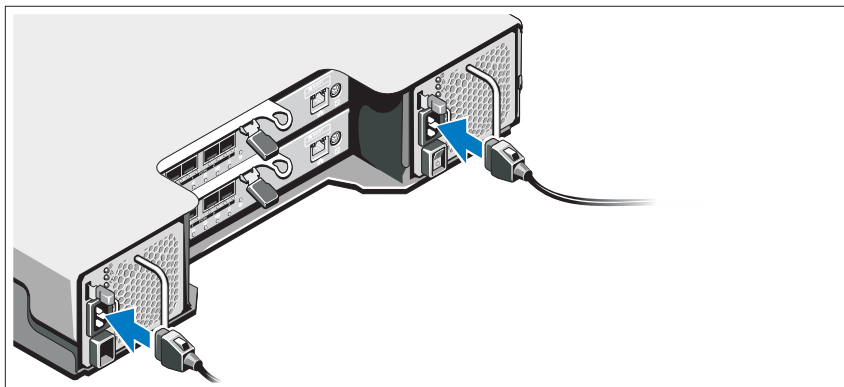
### Установка направляющих и системы в стойку



Смонтируйте направляющие кронштейны и установите систему в стойку согласно прилагаемым инструкциям по технике безопасности и инструкциям по установке стойки.

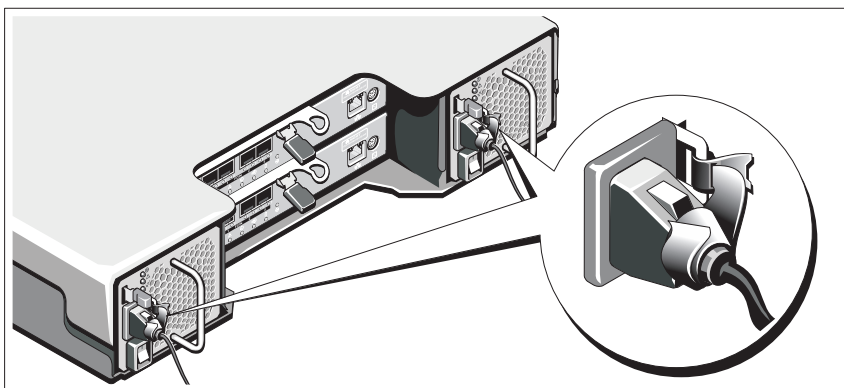
 **ПРИМЕЧАНИЕ:** Для балансировки весовой нагрузки рекомендуется установить массив хранения данных PowerVault MD3600f на дно стойки, а корпуса расширения PowerVault MD1200 – расположить сверху.

## Подключение кабелей питания



Перед подключением кабелей питания убедитесь, что переключатель питания находится в положении ВЫКЛ. Подсоедините кабель(и) питания к системе.

## Фиксация кабелей питания



Надежно прикрепите кабель(я) к кронштейну с помощью ремешка, входящего в комплект поставки.

Подключите другой конец кабеля(ей) питания к заземленной розетке или отдельному источнику питания, например, источнику бесперебойного питания или блоку распределения питания. Каждый источник питания должен быть подключен к отдельной цепи питания.

## **Установка и извлечение подключаемых модулей малого форм-фактора**

Установка подключаемых модулей малого форм-фактора:

- 1** Если на всех входных портах FC IN установлен подключаемый модуль малого форм-фактора, перейдите к разделу шаг 5.
- 2** Извлеките подключаемый модуль малого форм-фактора из упаковки для защиты от статического электричества.
- 3** Снимите заглушки с подключаемого модуля малого форм-фактора и порта модуля. Сохраните заглушки для использования в будущем.
- 4** Вставьте подключаемый модуль малого форм-фактора в порт хоста до щелчка.
- 5** Подсоедините кабель FC. См. раздел «Установка и извлечение оптоволоконных кабелей» на стр. 142.

Извлечение подключаемых модулей малого форм-фактора:

- 1** Извлеките кабель FC из подключаемого модуля малого форм-фактора. См. раздел «Установка и извлечение оптоволоконных кабелей» на стр. 142.



**ПРИМЕЧАНИЕ:** Во избежание повреждения кабеля или подключаемого модуля малого форм-фактора перед тем, как извлекать подключаемый модуль малого форм-фактора, отсоедините кабель FC.

- 2** Разблокируйте защелку модуля малого форм-фактора. В случае использования подключаемых модулей малого форм-фактора, включающих проволочные ушки, разблокируйте защелку модуля малого форм-фактора, потянув за ушко наружу под углом 90°.
- 3** Разблокировав защелку подключаемого модуля малого форм-фактора, извлеките модуль. В случае использования подключаемых модулей малого форм-фактора, оборудованных проволочными ушками, возьмитесь за проволочное ушко и потяните за него, чтобы извлечь модуль из порта.

- 4 Установите на место заглушки подключаемого модуля малого форм-фактора и порта хоста.
- 5 Поместите модуль в упаковку для защиты от статического электричества.

## Установка и извлечение оптоволоконных кабелей



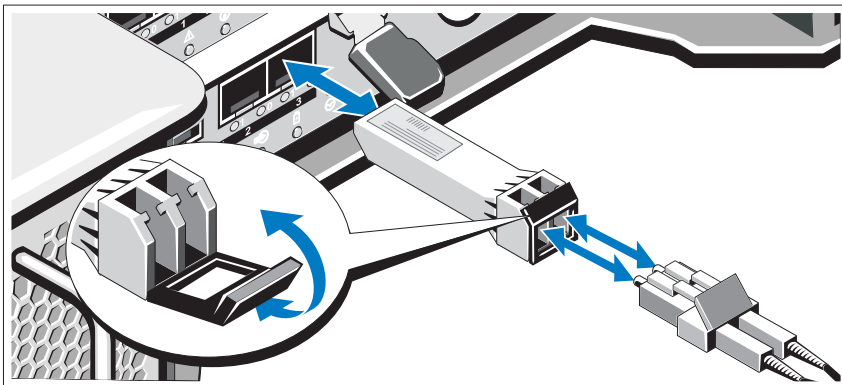
**ПРЕДУПРЕЖДЕНИЕ:** Среды обработки данных могут включать оборудование, передающее данные через системные каналы с лазерными модулями, которые используют уровни питания, более высокие, чем Класс 1. **Никогда не направляйте конец оптоволоконного кабеля или удлинителя в глаза.**

Перед установкой кабеля FC ознакомьтесь с информацией раздела «Рекомендации по использованию оптоволоконных кабелей» на стр. 134.

Установка кабеля FC:

- 1 Если это необходимо, снимите заглушку с подключаемого модуля малого форм-фактора и сохраните ее для использования в будущем.
- 2 Снимите две заглушки с одного конца кабеля и сохраните их для использования в будущем.
- 3 Вставьте кабель в подключаемый модуль малого форм-фактора, установленный в массиве хранения данных. Для облегчения правильной установки разъем кабеля имеет специальную маркировку. Удерживая разъем, надавите на кабель до щелчка.
- 4 Снимите две заглушки со второго конца кабеля и сохраните их для использования в будущем.
- 5 Подключите этот конец кабеля к одному из следующих устройств:
  - к подключаемому модулю малого форм-фактора, установленному на порту коммутатора FC;
  - к порту адаптера несущей шины FC.

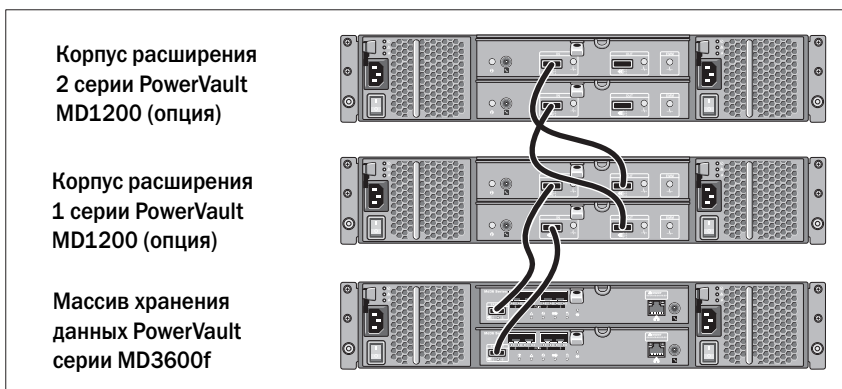




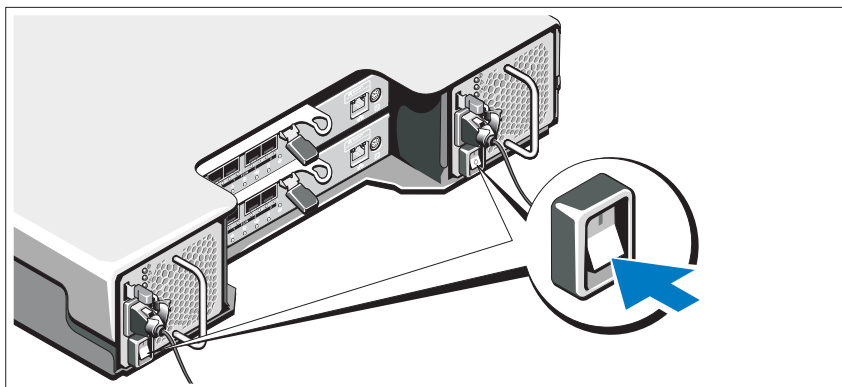
#### Извлечение кабеля FC:

- 1** Перед тем как извлекать кабель из подключаемого модуля малого форм-фактора, нажмите и удерживайте рычаг для разблокирования защелок. Извлекая кабель, убедитесь, что рычаги находятся в разблокированном положении. При извлечении кабеля не беритесь за пластмассовое ушко подключаемого модуля малого форм-фактора.
- 2** На конце кабеля, который вставляется в подключаемый модуль малого форм-фактора или в адаптер несущей шины, нажмите и удерживайте рычаг, чтобы разблокировать защелки.
- 3** Удерживая рычаг кабеля в нажатом положении, потяните за разъем, чтобы извлечь кабель из подключаемого модуля малого форм-фактора.
- 4** Установите заглушки на концы кабеля.
- 5** Установите заглушку на подключаемый модуль малого форм-фактора.

## Монтаж кабельной проводки корпуса расширения




## Включение массива хранения данных




Включите компоненты в следующем порядке:

- 1 Коммутаторы FC (если используются)
- 2 Корпуса расширения серии MD1200 (при наличии)

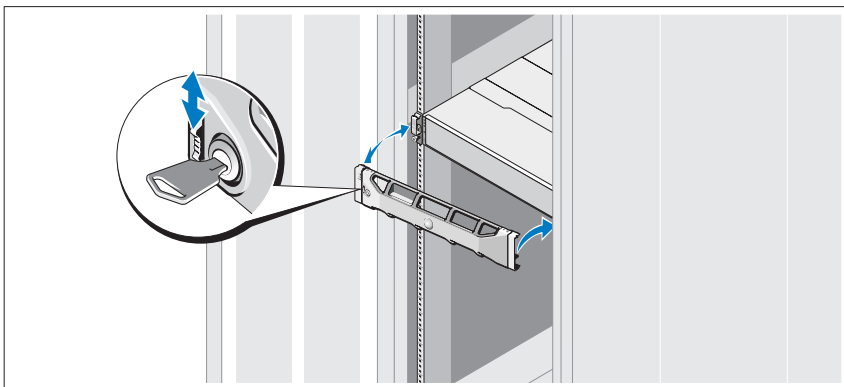
 **ПРИМЕЧАНИЕ:** Перед включением массива хранения данных убедитесь, что индикатор состояния корпуса расширения синего цвета.

### 3 Массив хранения данных серии MD3600f

 **ПРИМЕЧАНИЕ:** Перед включением хост-сервера (-ов) убедитесь, что индикатор состояния корпуса для массива хранения данных синего цвета.


### 4 Хост-сервер(ы)

## Установка лицевой панели



Установите лицевую панель (дополнительно).

## Установка адаптеров несущей шины и драйверов

 **ПРИМЕЧАНИЕ:** Перед тем как выполнять данную процедуру, обязательно ознакомьтесь с информацией в документе *Настройка Fibre Channel для использования с массивом хранения данных серии Dell MD3600f*. Подробные инструкции по установке программного обеспечения MD Storage, установке корпуса и задачах, выполняемых после установки, приведены в документе *Deployment Guide* (Руководство по развертыванию).

- 1 Выполните физическую установку адаптеров несущей шины.
- 2 Подключите кабели.
- 3 Установите драйверы адаптеров несущей шины и патчи/исправления для адаптеров в операционной системе.
- 4 Убедитесь, что используются рекомендуемые параметры настройки адаптера несущей шины.

## Установка программного обеспечения MD Storage



**ПРИМЕЧАНИЕ:** Подробные инструкции по установке программного обеспечения MD Storage, установке корпуса и задач, выполняемых после установки, приведены в документе *Deployment Guide* (Руководство по развертыванию).

Приложение MD Storage Manager осуществляет настройку, администрирование и мониторинг массива хранения данных. Чтобы установить программное обеспечение MD Storage Manager:

- 1 Вставьте носитель с ресурсами для серии MD.

В зависимости от вашей операционной системы программа установки может запускаться автоматически. Если программа установки не запускается автоматически, перейдите в корневой каталог установочного носителя (или загруженного изображения программы установки) и запустите файл **md\_launcher.exe**. В системах Linux - перейдите к корневому каталогу внешнего носителя и запустите файл **autorun**.



**ПРИМЕЧАНИЕ:** Операционная система Red Hat Enterprise Linux по умолчанию присваивает внешним носителям атрибут **-noexec mount**, который запрещает запуск файлов с расширением **.exe**. Чтобы изменить этот атрибут обратитесь к файлу **Readme**, расположенном в корневом каталоге установочного носителя.

- 2 Выберите **Install MD Storage Software** (Установка программного обеспечения MD).
- 3 Прочтите и примите лицензионное соглашение.
- 4 Выберите одну из следующих опций установки из выпадающего меню **Install Set**:

- **Full (recommended)/Полная (рекомендуется)**—Устанавливает программное обеспечение MD Storage Manager (клиент), хостовый агент системы хранения, многолучевой драйвер и провайдеры оборудования.
- **Host Only (Только хост)**—Устанавливает хостовый агент системы хранения и многолучевые драйвера.
- **Management (Администрирование)**—Устанавливает только администрирующее программное обеспечение и провайдеры оборудования.
- **Custom (Настраиваемая)**—Позволяет вам выбрать соответствующие компоненты.

5 Выберите модель(и) массива хранения данных, которые вы собираетесь настроить для использования в качестве хранилищ данных для данного хост-сервера.

6 Выберите, запускать ли сервис мониторинга событий автоматически при перезагрузке хост-сервера или вручную.



**ПРИМЕЧАНИЕ:** Данная опция доступна только для установки клиентского программного обеспечения под Windows.

7 Подтвердите выбор места для установки и нажмите **Install**.

8 При появлении запроса перезагрузите хост-сервер после завершения установки.

9 Запустите **MD Storage Manager** и найдите массив(ы).



**ПРИМЕЧАНИЕ:** Если протокол Dynamic Host Configuration Protocol (DHCP) не используется в сети, к которой подключены порты управления массива хранения данных MD, для обнаружения массива или массивов рекомендуется включить IPv6 на станции управления.

10 Выполните настройку одиночного инициатора и зонирования нескольких целевых объектов на коммутаторах Fibre Channel. Сведения о зонировании см. в *Руководстве по развертыванию*.

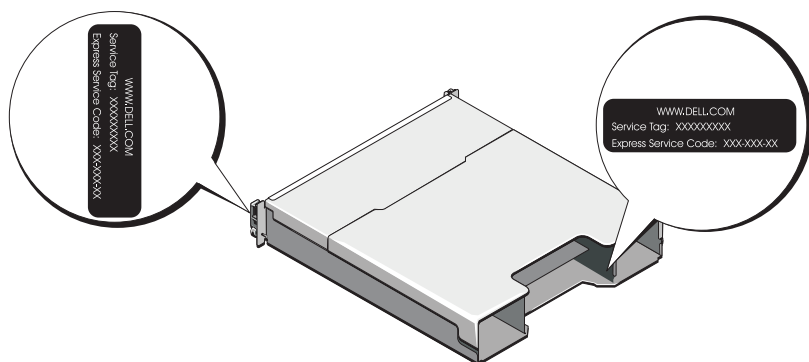
11 Активируйте, при их наличии, любые дополнительные функции, приобретенные вместе с массивом хранения данных. Если вы приобрели дополнительные функции, см. бумажную карту активации, поставляемую вместе с вашим массивом хранения данных.



**ПРИМЕЧАНИЕ:** Установочная программа **MD Storage Manager** автоматически устанавливает требуемые драйвера, прошивку и дополнения/исправления для операционной системы, необходимые для использования вашего массива хранения данных. Данные драйвера и прошивка доступны по адресу [support.dell.com](http://support.dell.com). Для получения дополнительной информации по любым настройкам и/или программному обеспечению, требуемому для вашего конкретного массива для хранения данных см. раздел *Таблица техподдержки* по адресу [support.dell.com/manuals](http://support.dell.com/manuals).

## Как найти метку обслуживания

Система идентифицируется по уникальному коду экспресс-обслуживания и номеру метки обслуживания. Код экспресс-обслуживания и метка обслуживания расположены на лицевой и задней поверхности системы, рядом с модулями контроллеров RAID. Эта информация необходима для того, чтобы ваши звонки могли быть соответствующим образом перенаправлены сотрудникам службы технического обслуживания корпорации Dell.



## Информация NOM (только для Мексики)

В соответствии с требованиями официальных стандартов Мексики (NOM) на устройстве, описанном в данном документе, указывается следующая информация.

|                    |                                                                                                                   |
|--------------------|-------------------------------------------------------------------------------------------------------------------|
| Импортер:          | Dell Inc. de México, S.A. de C.V.<br>Paseo de la Reforma 2620 -11º Piso<br>Col. Lomas Altas<br>11950 México, D.F. |
| Номер модели:      | E03J и E04J                                                                                                       |
| Напряжение в сети: | 100–240 В переменного тока                                                                                        |
| Частота:           | 50/60 Гц                                                                                                          |
| Потребляемый ток:  | 8,6 А                                                                                                             |

# Технические характеристики

---

## Накопители

---

|                    |                                                                                                     |
|--------------------|-----------------------------------------------------------------------------------------------------|
| PowerVault MD3600f | До двенадцати жестких дисков SAS 3,5 дюйма, допускающих оперативную замену (3,0 и 6,0 Гбит/с)       |
| PowerVault MD3620f | До двадцати четырех жестких дисков SAS 2,5 дюйма, допускающих оперативную замену (3,0 и 6,0 Гбит/с) |

---

## Модули RAID-контроллеров

---

|                          |                                                                                                                                                                       |
|--------------------------|-----------------------------------------------------------------------------------------------------------------------------------------------------------------------|
| Модули RAID-контроллеров | <ul style="list-style-type: none"><li>• Один из двух модулей с возможностью горячей замены с температурными датчиками</li><li>• Кэш - по 2 ГБ на контроллер</li></ul> |
|--------------------------|-----------------------------------------------------------------------------------------------------------------------------------------------------------------------|

---

## Разъемы задней панели (на модуль RAID-контроллера)

---

|                                |                                                                                                                                                   |
|--------------------------------|---------------------------------------------------------------------------------------------------------------------------------------------------|
| Разъемы FC                     | Четыре порта входа SAS для подключения хостов                                                                                                     |
| разъем SAS                     | Один порт выхода SAS для расширения на дополнительный корпус PowerVault MD12xx<br><b>ПРИМЕЧАНИЕ:</b> Разъем SAS соответствует стандарту SFF-8088. |
| Разъем последовательного порта | Один 6-контактный разъем mini-DIN<br><b>ПРИМЕЧАНИЕ:</b> Только для специалистов службы технической поддержки.                                     |

---

## Разъемы задней панели (на модуль RAID-контроллера) (продолжение)

---

|                            |                                                                                                                                                                                                                                                                                                                                                                                                                                                                                                                                                                                                                                  |
|----------------------------|----------------------------------------------------------------------------------------------------------------------------------------------------------------------------------------------------------------------------------------------------------------------------------------------------------------------------------------------------------------------------------------------------------------------------------------------------------------------------------------------------------------------------------------------------------------------------------------------------------------------------------|
| Разъем управления Ethernet | <p>Один порт 100/1000 Base-T Ethernet для управления корпусом вне диапазона.</p> <p><b>ПРИМЕЧАНИЕ:</b> По умолчанию IP-адресами управляющего порта для первичного и вторичного модулей RAID-контроллера являются 192.168.128.101 и 192.168.128.102 соответственно. По умолчанию управляющие порты настроены на использование DHCP. Если контроллер не может получить конфигурацию IP-адреса от DHCP-сервера в течение заданного промежутка времени (приблизительно 3 минуты), то по умолчанию он возвращается к использованию статической IP-адресации. Дополнительную информацию см. в <i>Руководстве по развертыванию</i>.</p> |
|----------------------------|----------------------------------------------------------------------------------------------------------------------------------------------------------------------------------------------------------------------------------------------------------------------------------------------------------------------------------------------------------------------------------------------------------------------------------------------------------------------------------------------------------------------------------------------------------------------------------------------------------------------------------|

---

## Расширение

---

|                         |                                                                                                                                                                                                                                                                                                                                                                                                                                                        |
|-------------------------|--------------------------------------------------------------------------------------------------------------------------------------------------------------------------------------------------------------------------------------------------------------------------------------------------------------------------------------------------------------------------------------------------------------------------------------------------------|
| Серия PowerVault MD1200 | <p>Поддержка максимум 192 жестких дисков с любой комбинацией корпусов расширения PowerVault MD1200 или PowerVault MD1220. Поддержка до 192 жестких дисков является дополнительной функцией и требует активации. Максимальное количество жестких дисков, поддерживаемое без использования дополнительных функций, равняется 120.</p> <p>Возможность избыточного соединения обеспечивает избыточность путей доступа к данным каждого жесткого диска.</p> |
|-------------------------|--------------------------------------------------------------------------------------------------------------------------------------------------------------------------------------------------------------------------------------------------------------------------------------------------------------------------------------------------------------------------------------------------------------------------------------------------------|

---

## Объединительная плата

---

|         |                                                                                                                                                                                                                                                                                                                                  |
|---------|----------------------------------------------------------------------------------------------------------------------------------------------------------------------------------------------------------------------------------------------------------------------------------------------------------------------------------|
| Разъемы | <ul style="list-style-type: none"><li>• 12 или 24 разъема для жестких дисков SAS</li><li>• Два разъема для модулей источника питания и охлаждающих вентиляторов</li><li>• Два набора разъемов модулей RAID-контроллера</li><li>• Один разъем панели управления для передних индикаторов и кнопка идентификации системы</li></ul> |
| Датчики | Два датчика температуры                                                                                                                                                                                                                                                                                                          |



---

## Светодиодные индикаторы

---

Передняя панель

- Один двухцветный светодиодный индикатор состояния системы
- Два одноцветных светодиодных индикатора питания и режима корпуса

**ПРИМЕЧАНИЕ:** Светодиод режима корпуса не применим к массиву хранения данных PowerVault MD3600f.

Салазки для жесткого диска

- Один одноцветный светодиодный индикатор активности
- Один двухцветный светодиодный индикатор состояния для каждого диска

Источник питания и охлаждающий вентилятор

Три светодиодных индикатора состояния для индикации состояния источника питания, неисправности источника питания или вентилятора и состояния подачи переменного тока

Модуль RAID-контроллера

14 одноцветных светодиодных индикаторов:

- Один для отказа аккумулятора
- Один для индикации активного состояния кэша
- Один для индикации отказа контроллера
- Один для индикации питания контроллера
- Один для идентификации системы
- Один для индикации действий по управлению Ethernet
- Восемь для индикации канала FC или сбоя

2 двухцветных светодиодных индикатора:

- Один для индикации канала выхода SAS или отказа
- Один для индикации скорости канала управления Ethernet

---

## Переключатель

---

|                              |                                                                                                                                 |
|------------------------------|---------------------------------------------------------------------------------------------------------------------------------|
| Кнопка идентификации системы | Находится на передней панели управления. Данная кнопка используется для определения местонахождения системы в стойке.           |
| Переключатель режима корпуса | Расположен на лицевой панели системы. Этот переключатель не применяется к массиву хранения данных PowerVault MD3600f.           |
| Переключатель сброса пароля  | Расположен на задней панели модуля RAID-контроллера. Этот переключатель используется для сброса пароля массива хранения данных. |

---

## Источники питания

---

Источник питания переменного тока (для каждого источника питания)

|                          |                                                                                                                                                                                                   |
|--------------------------|---------------------------------------------------------------------------------------------------------------------------------------------------------------------------------------------------|
| Мощность                 | 600 Вт                                                                                                                                                                                            |
| Напряжение               | 100—240 В пер. тока (8,6 А — 4,3 А)                                                                                                                                                               |
| Теплоотдача              | 100 Вт                                                                                                                                                                                            |
| Максимальный бросок тока | При стандартных параметрах питающей сети и во всем рабочем диапазоне внешних параметров системы бросок тока может достигать максимум 55 А для каждого источника питания в течение не более 10 мс. |

---

## Доступное питание жестких дисков (для каждого слота)

---

|                    |       |
|--------------------|-------|
| PowerVault MD3600f | 25 Вт |
| PowerVault MD3620f | 12 Вт |

---

## Модуль питания RAID-контроллера (на слот)

---

|                                    |        |
|------------------------------------|--------|
| Максимальная потребляемая мощность | 100 Вт |
|------------------------------------|--------|

---

## Физические характеристики

---

|                    |                      |
|--------------------|----------------------|
| PowerVault MD3600f |                      |
| Высота             | 8,68 см (3,41 дюйма) |

---

**Физические характеристики (продолжение)**

---

|                            |                        |
|----------------------------|------------------------|
| Ширина                     | 44,63 см (17,57 дюйма) |
| Длина                      | 60,20 см (23,70 дюйма) |
| Масса (макс. конфигурация) | 29,30 кг (64,6 фунта)  |
| Масса (пустой)             | 8,84 кг (19,5 фунта)   |

**PowerVault MD3620f**

|                            |                        |
|----------------------------|------------------------|
| Высота                     | 8,68 см (3,41 дюйма)   |
| Ширина                     | 44,63 см (17,57 дюйма) |
| Длина                      | 54,90 см (21,61 дюйма) |
| Масса (макс. конфигурация) | 24,22 кг (53,4 фунта)  |
| Масса (пустой)             | 8,61 кг (19 фунта)     |

---

**Условия эксплуатации и хранения**

---

**ПРИМЕЧАНИЕ:** Дополнительную информацию о параметрах окружающей среды для установки определенной конфигурации системы см. на веб-странице [www.dell.com/environmental\\_datasheets](http://www.dell.com/environmental_datasheets).

**Температура**

В процессе работы От 10 до 35 °C (от 50 °F до 95 °F) с максимальной скоростью изменения температуры 10 °C в час

**ПРИМЕЧАНИЕ:** Если высота над уровнем моря превышает 2950 футов, максимальная рабочая температура снижается на 1°F/550 футов.

Хранение От -40° до 65°C (от -40° до 149°F) с максимальной скоростью изменения температуры 20°C в час

**Относительная влажность**

В процессе работы От 20% до 80% (без конденсации) с максимальными колебаниями влажности 10% в час

Хранение От 5 % до 95 % (без конденсации)

**Максимальная вибрация**

---

**Условия эксплуатации и хранения (продолжение)**

---

|                                                 |                                                                                                                                                                                                  |
|-------------------------------------------------|--------------------------------------------------------------------------------------------------------------------------------------------------------------------------------------------------|
| В процессе работы                               | 0,25 G при частоте от 3 до 200 Гц в течение 15 минут                                                                                                                                             |
| Хранение                                        | 0,5 G при частоте от 3 до 200 Гц в течение 15 минут                                                                                                                                              |
| <b>Максимальная ударная нагрузка</b>            |                                                                                                                                                                                                  |
| В процессе работы                               | Один импульс ударной нагрузки с ускорением 31 G длительностью не более 2,6 мс в положительном направлении по оси z (по одному импульсу с каждой стороны системы) при рабочей ориентации          |
| Хранение                                        | Шесть последовательных ударных импульсов 71 G длительностью не более 2 мс в положительном и отрицательном направлениях по осям x, y и z (по одному импульсу с каждой стороны системы)            |
| <b>Высота над уровнем моря</b>                  |                                                                                                                                                                                                  |
| В процессе работы                               | От –16 до 3048 м (от –50 до 10 000 футов)<br><b>ПРИМЕЧАНИЕ:</b> Если высота над уровнем моря превышает 900 м (2950 футов), максимальная рабочая температура снижается на 1 °F/168 м (550 футов). |
| Хранение                                        | От –16 до 10 600 м (от –50 до 35 000 футов)                                                                                                                                                      |
| <b>Уровень загрязняющих веществ в атмосфере</b> |                                                                                                                                                                                                  |
| Класс                                           | G1 согласно классификации ISA-S71.04-1985                                                                                                                                                        |

Matrices de almacenamiento  
Dell PowerVault  
MD3600f y MD3620f  
Introducción al sistema

Modelo reglamentario, series E03J y E04J



# Notas, precauciones y avisos



**NOTA:** una NOTA proporciona información importante que le ayudará a utilizar mejor el equipo.



**PRECAUCIÓN:** un mensaje de PRECAUCIÓN indica la posibilidad de que se produzcan daños en el hardware o haya pérdida de datos si no se siguen las instrucciones.



**AVISO:** un mensaje de AVISO indica la posibilidad de que se produzcan daños materiales, lesiones personales o la muerte.

---

**La información contenida en esta publicación puede modificarse sin previo aviso.**

**© 2011 Dell Inc. Todos los derechos reservados.**

Queda estrictamente prohibida la reproducción de estos materiales en cualquier forma sin la autorización por escrito de Dell Inc.

Marcas comerciales utilizadas en este texto: Dell™, el logotipo de DELL y PowerVault™ son marcas comerciales de Dell Inc. Microsoft® y Windows Server® son marcas comerciales o marcas comerciales registradas de Microsoft Corporation en Estados Unidos y/o en otros países. Red Hat® y Red Hat Enterprise Linux® son marcas comerciales registradas de Red Hat, Inc. en los Estados Unidos y en otros países. SUSE® es una marca comercial registrada de Novell, Inc. en los Estados Unidos y en otros países. VMware® es una marca comercial registrada de VMware, Inc. en los Estados Unidos y/o en otras jurisdicciones.

Otras marcas y otros nombres comerciales pueden utilizarse en esta publicación para hacer referencia a las entidades que los poseen o a sus productos. Dell Inc. renuncia a cualquier interés sobre la propiedad de marcas y nombres comerciales que no sean los suyos.

**Modelo reglamentario, series E03J y E04J**

**08/2011**

**N/P NKX4V**

**Rev. A02**

## Antes de comenzar



**NOTA:** a lo largo del documento, la matriz de almacenamiento de la serie Dell PowerVault MD3600f hace referencia a Dell PowerVault MD3600f y a Dell PowerVault MD3620f. El gabinete de expansión de la serie Dell PowerVault MD1200 se refiere a Dell PowerVault MD1200 y Dell PowerVault MD1220.

Antes de configurar la matriz de almacenamiento de la serie PowerVault MD3600f, debe tener en cuenta una serie de prácticas recomendadas para garantizar que la matriz de almacenamiento funcione a un rendimiento máximo y ofrezca completa redundancia (si es necesario).

- Para activar la redundancia, se deben conectar dos Adaptadores de bus host (HBA) Fibre Channel (FC) del sistema host a la matriz de almacenamiento. Si la redundancia no es un requisito, solamente se conecta un adaptador HBA FC a la matriz de almacenamiento. Consulte el documento *Matriz de compatibilidad* para obtener una lista de los adaptadores HBA compatibles y el documento *Configuring Fibre Channel With the Dell MD3600f Series Storage Array* (Configuración de Fibre Channel con la matriz de almacenamiento de la serie Dell MD3600f) para obtener más información sobre la instalación de controladores HBA. Puede descargar ambos documentos de la página [support.dell.com/manuals](http://support.dell.com/manuals).
- Antes de conectar cables entre el servidor host y la matriz de almacenamiento, etiquete físicamente todos los puertos y conectores.
- Durante los ciclos de encendido de la red, siga siempre los procedimientos adecuados de encendido y apagado. Asegúrese también de que los componentes de red críticos se encuentren en circuitos de alimentación diferentes.

## Cómo trabajar con módulos SFP y cables de fibra óptica



**NOTA:** los módulos SFP+ admiten conexiones Fibre Channel de 8 GB. Este documento se refiere genéricamente a SFP.

Cada controladora de almacenamiento puede tener hasta cuatro puertos host FC. Para conectar un puerto host a un host o conmutador se utiliza un módulo conectable de formato reducido (SFP). Se introduce el módulo SFP en el puerto y, a continuación, se introduce un cable de fibra óptica en el módulo SFP. El otro extremo del cable de fibra óptica se conecta a un conector de interfaz óptica en un HBA FC de un host o un conmutador. Los módulos SFP son productos láser.



**AVISO: los entornos de procesamiento de datos pueden contener equipos que transmiten en enlaces de sistema con módulos láser que operan a niveles de alimentación superiores a los de la Clase 1. Nunca mire el extremo de un cable de fibra óptica o receptáculo abierto.**

### **Pautas generales para el uso de cables de fibra óptica**

- No enrute el cable por un brazo de administración de cables doblado.
- Para dispositivos en rieles deslizantes, deje suficiente margen como para que los cables no se doblen un diámetro inferior a 76 mm (3 pulgadas), o un radio inferior a 38 mm (1,5 pulgadas), al quedar extendidos o quedar apretados al retraerse.
- Enrute los cables por lugares donde se encuentren separados de otros dispositivos en el gabinete de bastidor que puedan dañarlos.
- No utilice enganches de plástico para cables en lugar de las cintas para cable que se proporcionan.
- No apriete excesivamente las cintas para cable o doble los cables un diámetro inferior a 76 mm (3 pulgadas) o un radio inferior a 38 mm (1,5 pulgadas).
- No sobrecargue de peso el cable en el punto de conexión. Asegúrese de que el cable se encuentre bien agarrado.

### **Pautas generales para el uso de módulos SFP**

La matriz de almacenamiento requiere módulos SFP. Los módulos SFP convierten señales eléctricas en señales ópticas que son las necesarias para la transmisión FC a y desde los módulos de la controladora RAID. Una vez que los módulos SFP han sido instalados, se utilizan cables de fibra óptica para conectar la matriz de almacenamiento a los otros dispositivos FC. Antes de instalar los módulos SFP y los cables de fibra óptica, lea la siguiente información:

- Utilice solamente módulos SFP compatibles con Dell con las matrices de almacenamiento de la serie PowerVault MD3600f. No son compatibles otros módulos SFP genéricos y puede que no funcione con la matriz de almacenamiento.
- La cubierta del módulo SFP contiene una llave guía integral diseñada para evitar la introducción del módulo SFP incorrectamente.



- Ejerza la mínima presión al introducir el módulo SFP en el puerto FC. Forzar la introducción del módulo SFP en un puerto podría dañar el mismo módulo o el puerto.
- Puede instalar o sacar el módulo SFP mientras el puerto está encendido.
- Debe instalar el módulo SFP en un puerto antes de conectar el cable de fibra óptica.
- Debe quitar el cable de fibra óptica del módulo SFP antes de sacar este módulo del puerto.



**PRECAUCIÓN:** cuando se encuentre trabajando con dispositivos sensibles a la estática, tome las precauciones necesarias para no dañar el producto por electricidad estática.

## Documentación y soportes adicionales útiles



**AVISO:** consulte la información sobre normativas y seguridad suministrada con el sistema. La información sobre la garantía puede estar incluida en este documento o en un documento aparte.



**NOTA:** todos los documentos de la serie PowerVault MD3600f están disponibles en [support.dell.com/manuals](http://support.dell.com/manuals).

- En la documentación del bastidor incluida con la solución de bastidor se describe cómo instalar el sistema en un bastidor.
- En el *Manual del propietario* se proporciona información acerca de las funciones del sistema y se describe cómo solucionar problemas del sistema e instalar o sustituir componentes.
- En la *Guía de implementación* se proporciona información acerca de la instalación y configuración del software y hardware.
- En la *Guía CLI* se proporciona información acerca de cómo utilizar la Interfaz de línea de comandos (CLI) para configurar y administrar la matriz de almacenamiento.
- La *SMI-S Programmer's Guide* (Guía de los programadores de SMI-S) proporciona información acerca del uso del proveedor de SMI-S y la programación de SMI-S.

- En los soportes suministrados con el sistema se incluyen documentación y herramientas para configurar y administrar el sistema, incluidas las del sistema operativo, el software de administración del sistema, las actualizaciones del sistema y los componentes del sistema que haya adquirido con el sistema.



**NOTA:** compruebe si hay actualizaciones en [support.dell.com/manuals](http://support.dell.com/manuals) y, si las hay, léalas antes de proceder a la instalación, puesto que a menudo sustituyen la información contenida en otros documentos.

## Sistemas operativos admitidos

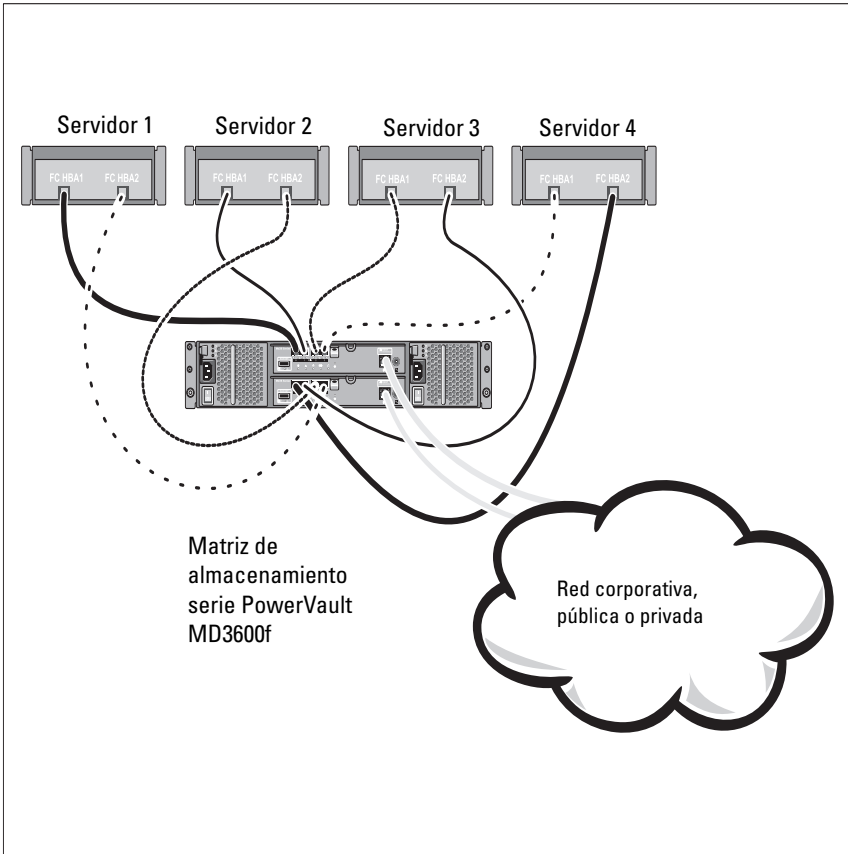
- Microsoft Windows Server
- Red Hat Enterprise Linux
- SUSE Linux Enterprise Server
- VMware



**NOTA:** para obtener la información más actual acerca de todas las versiones de sistemas operativos compatibles, consulte la *Support Matrix* (Matriz de soporte) en [support.dell.com/manuals](http://support.dell.com/manuals).

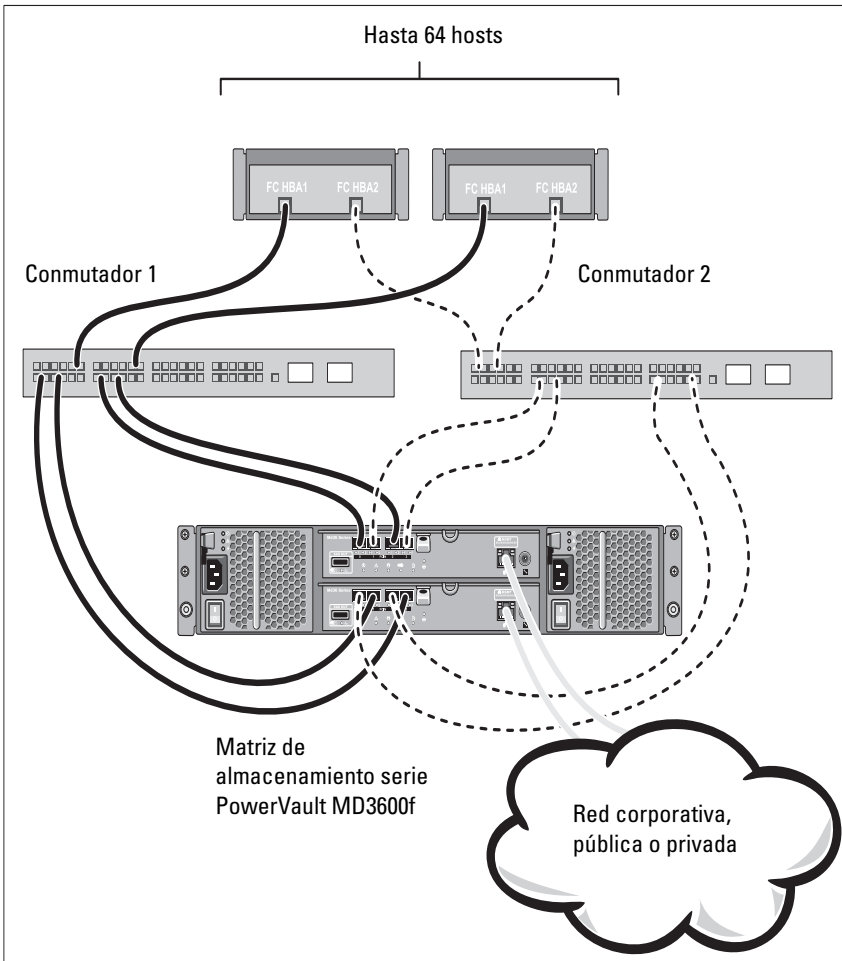
# Configuraciones comunes

## Cableado de los host de conexión directa




## Cableado de los host de conexión SAN

La ilustración que se muestra a continuación representa un sistema redundante. Por ejemplo, un sistema utilizado en un entorno de replicación remoto.



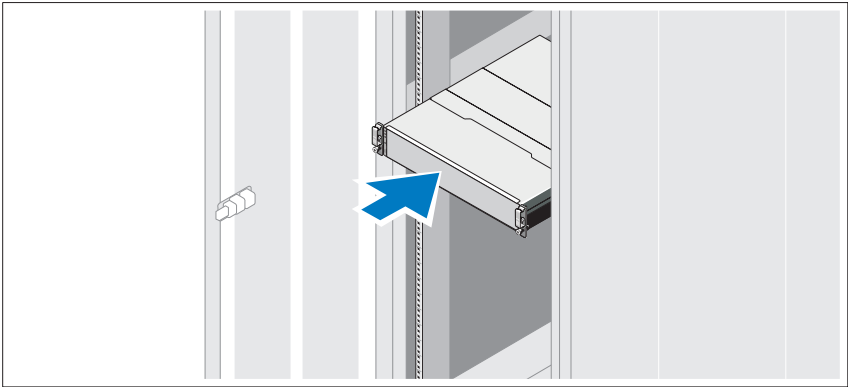
# Instalación y configuración

 **AVISO:** antes de realizar el procedimiento siguiente, revise las instrucciones de seguridad incluidas con el sistema.


## Desembalaje del sistema

Desembale el sistema e identifique cada elemento de la lista de embalaje que se envió con el sistema.

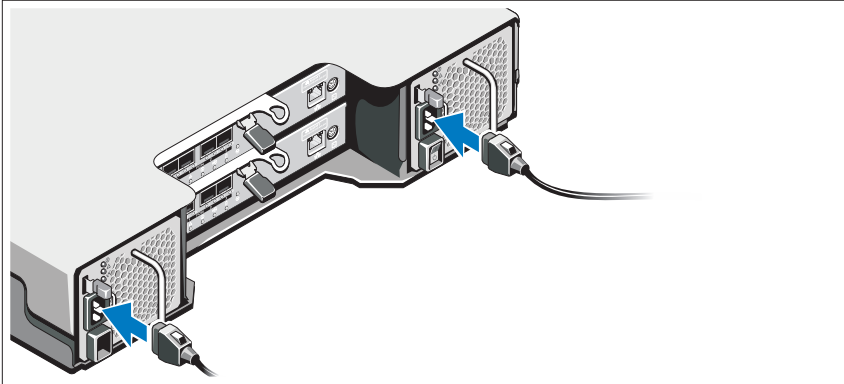
## Instalación de los rieles y del sistema en un bastidor



Monte los rieles e instale el sistema en el bastidor siguiendo las instrucciones de seguridad y de instalación del bastidor incluidas con el sistema.

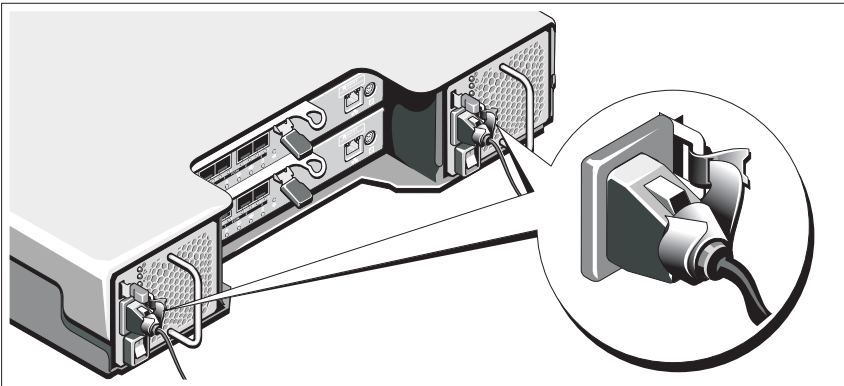
 **NOTA:** para equilibrar la carga del peso, se recomienda instalar la matriz de almacenamiento de la serie PowerVault MD3600f en la parte inferior del bastidor y los gabinetes de expansión PowerVault MD1200 encima de este.

## Conexión de los cables de alimentación



Asegúrese de que el conmutador de alimentación esté en la posición de APAGADO antes de conectar los cables de alimentación. Conecte los cables de alimentación al sistema.

## Fijación de los cables de alimentación



Fije los cables al soporte con firmeza con la cinta proporcionada.

Conecte el otro extremo de los cables de alimentación a una toma eléctrica con conexión a tierra o a otra fuente de alimentación, como por ejemplo un Sistema de alimentación ininterrumpida (SAI) o una Unidad de distribución de alimentación (PDU). Cada suministro de energía debe estar conectado a un circuito de alimentación diferente.

## **Instalación y extracción de módulos SFP**

Para instalar módulos SFP:

- 1** Si todos los puertos de ENTRADA FC cuentan con un módulo SFP instalado, vaya al paso 5.
- 2** Saque el módulo SFP del paquete de protección estática.
- 3** Retire la tapa protectora del módulo SFP y del puerto SFP. Guarde las tapas protectoras para posteriores usos.
- 4** Introduzca el módulo SFP en el puerto host hasta que se oiga un clic.
- 5** Conecte un cable FC. Ver “Instalación y extracción de cables Fibre Channel” en la página 166.

Para extraer módulos SFP:

- 1** Quite el cable FC del módulo SFP. Ver “Instalación y extracción de cables Fibre Channel” en la página 166.



**NOTA:** para evitar dañar el cable o el módulo SFP, desconecte el cable FC antes de extraer el módulo SFP.

- 2** Desbloquee el seguro del módulo SFP. Para los módulos SFP que contengan lengüetas de conexión, desbloquee el seguro del módulo SFP tirando del seguro del cable hacia fuera 90°.
- 3** Con el módulo SFP en la posición de desbloqueo, extraiga el módulo SFP. Para los módulos SFP que contengan lengüetas de conexión, agarre el seguro del cable y tire del módulo SFP hasta sacarlo del puerto.
- 4** Vuelva a colocar la tapa protectora en el módulo SFP y el puerto host.
- 5** Coloque el módulo SFP en un paquete para protección estática.

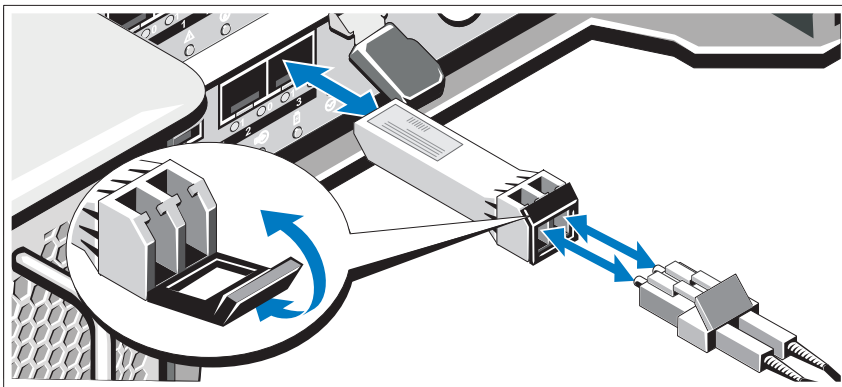
## Instalación y extracción de cables Fibre Channel

**⚠ AVISO:** los entornos de procesamiento de datos pueden contener equipos que transmiten en enlaces de sistema con módulos láser que operan a niveles de alimentación superiores a los de la Clase 1. Nunca mire el extremo de un cable de fibra óptica o receptáculo abierto.

Antes de instalar un cable FC, ver “Pautas generales para el uso de cables de fibra óptica” en la página 158.

Para instalar un cable FC:

- 1 Si corresponde, retire la tapa protectora del módulo SFP y guárdela para utilizarla posteriormente.
- 2 Retire las dos tapas protectoras de un extremo del cable y guárdelas para utilizarlas posteriormente.
- 3 Introduzca el cable en un módulo SFP que esté instalado en la matriz de almacenamiento. El conector del cable cuenta con una llave para la correcta instalación. Mientras sujeta el conector, empuje el cable hasta que se oiga un clic.
- 4 Retire las dos tapas protectoras del otro extremo del cable y guárdelas para utilizarlas posteriormente.
- 5 Conecte este extremo del cable a uno de los siguientes dispositivos:
  - Un módulo SFP instalado en un puerto para conmutador FC
  - Un puerto HBA FC

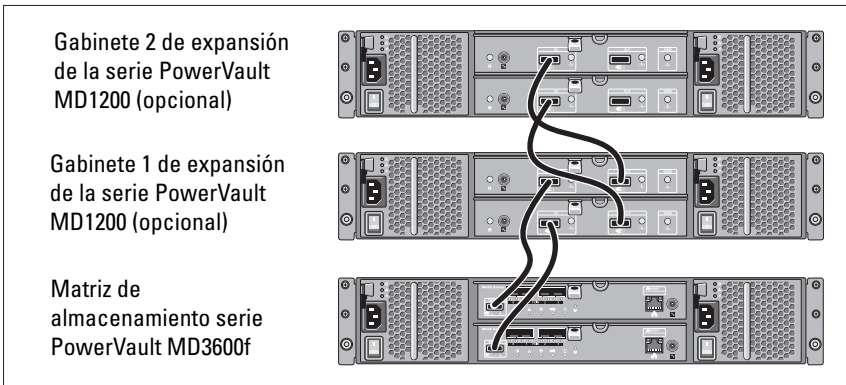




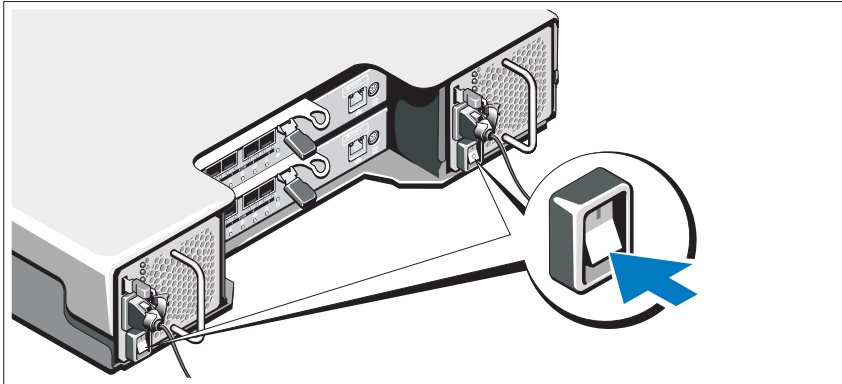
Para extraer un cable FC:

- 1 Presione y mantenga presionada la palanca para soltar los seguros antes de quitar el cable del módulo SFP. Asegúrese de que las palancas se encuentren en la posición abierta cuando se extraiga el cable. No agarre la lengüeta de plástico del módulo SFP cuando extraiga el cable.
- 2 En el extremo del cable que conecta al módulo SFP o HBA, presione y sujete la palanca para soltar los seguros.
- 3 Mientras presiona la palanca del cable, tire del conector para quitar el cable del módulo SFP.
- 4 Vuelva a colocar las tapas protectoras en los extremos del cable.
- 5 Vuelva a colocar la tapa protectora en el módulo SFP.

## Cableado del gabinete de expansión



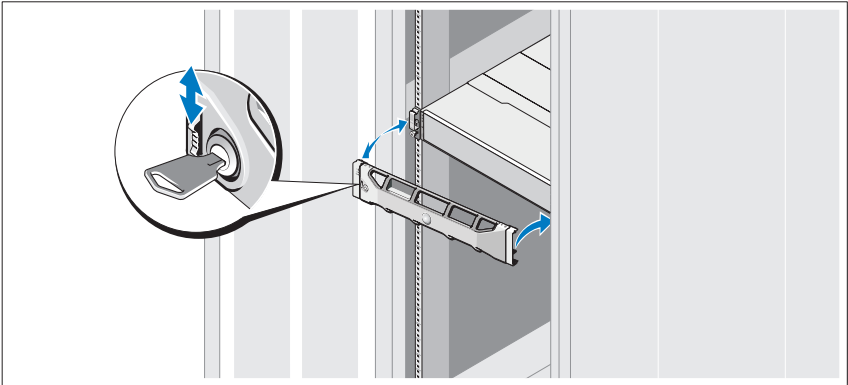
## Encendido de la matriz de almacenamiento



Encienda los componentes en el orden siguiente:


- 1 Conmutadores FC (si se utilizan)
- 2 Los gabinetes de expansión de la serie MD1200 (si se utilizan)
  - **NOTA:** antes de encender la matriz de almacenamiento, asegúrese de que el LED de estado del gabinete de expansión está iluminado en azul.
- 3 Matriz de almacenamiento de la serie MD3600f
  - **NOTA:** antes de encender los servidores host, asegúrese de que el LED de estado de la matriz de almacenamiento está iluminado en azul.
- 4 Servidores host

## Instalación del bisel



Instale el bisel (opcional).

## Instalación de adaptadores HBA y controladores

 **NOTA:** asegúrese de leer el documento *Configuring Fibre Channel With the Dell MD3600f Series Storage Array* (Configuración de Fibre Channel con la matriz de almacenamiento de la serie Dell MD3600f) antes de continuar con este procedimiento. Para obtener instrucciones detalladas sobre la instalación del software MD Storage, la configuración del gabinete y las tareas posteriores a la instalación, consulte la *Guía de implementación*.

- 1 Instale los adaptadores HBA físicamente.
- 2 Conecte los cables.
- 3 Instale los controladores HBA y las revisiones/correcciones urgentes de HBA del sistema operativo.
- 4 Asegúrese de que se hayan aplicado los valores de configuración HBA recomendados.

## Instalación del software MD Storage



**NOTA:** para obtener instrucciones detalladas sobre la instalación del software MD Storage, la configuración del gabinete y las tareas posteriores a la instalación, consulte la *Guía de implementación*.

La aplicación MD Storage Manager configura, administra y supervisa la matriz de almacenamiento. Para instalar el software MD Storage:


- 1 Inserte el soporte de recursos de la serie MD.

Dependiendo del sistema operativo, el instalador se puede iniciar automáticamente. Si el instalador no se inicia automáticamente, navegue al directorio raíz del soporte de instalación (o imagen del instalador descargado) y ejecute el archivo `md_launcher.exe`. Para sistemas basados en Linux, vaya a la raíz del soporte de recursos y ejecute el archivo `autorun`.



**NOTA:** de manera predeterminada, el sistema operativo Red Hat Enterprise Linux monta el soporte de recursos con la opción `-noexec mount`, la cual no permite ejecutar archivos ejecutables. Para cambiar esta configuración, vaya al archivo *Léame* en el directorio raíz del soporte de instalación.


- 2 Seleccione **Install MD Storage Software** (Instalar el software MD Storage).
- 3 Lea y acepte el contrato de licencia.
- 4 Seleccione una de las siguientes opciones de instalación del menú desplegable **Install Set** (Conjunto de instalación)
  - **Full (recommended)** (Total [recomendado]): instala el software MD Storage Manager (cliente), el agente de almacenamiento basado en host, el controlador multirruta y los proveedores de hardware.
  - **Host Only** (Solamente host): instala el agente de almacenamiento basado en host y los controladores multirruta.
  - **Management** (Administración): instala el software de administración y los proveedores de hardware.
  - **Personalizado**: permite seleccionar componentes específicos.
- 5 Seleccione los modelos de matrices de almacenamientos MD que está configurando para que sirvan como almacenamiento de datos para este servidor host.
- 6 Elija si desea iniciar el servicio de monitor de eventos automática o manualmente al reiniciar el servidor host

 **NOTA:** esta opción se aplica solo para la instalación del software cliente de Windows.

7 Confirme la ubicación de la instalación y haga clic en **Install** (Instalar).


8 Si se le solicita, reinicie el servidor host tras completar la instalación.

9 Inicie **MD Storage Manager** y detecte las matrices.

 **NOTA:** si en la red donde se conectan los puertos de administración de la matriz de almacenamiento MD no se utiliza el Protocolo de configuración dinámica de host (DHCP), se recomienda habilitar IPv6 en la estación de administración para detectar las matrices de almacenamiento.

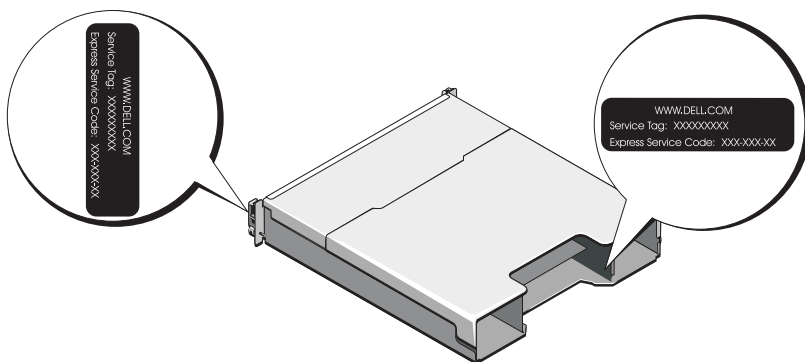
10 Configure el iniciador individual y las zonas de destino múltiples en los conmutadores Fibre Channel. Para obtener más información sobre el uso de zonas, consulte la *Guía de implementación*.

11 Si se aplica, active cualquiera de las funciones premium adquiridas con la matriz de almacenamiento. Si ha adquirido una función premium, consulte la tarjeta de activación impresa enviada con la matriz de almacenamiento.

 **NOTA:** el instalador de **MD Storage Manager** instala automáticamente los controladores, el firmware y las revisiones/correcciones urgentes del sistema operativo necesarios para que funcione la matriz de almacenamiento. Estos controladores y el firmware se encuentran disponibles en [support.dell.com](http://support.dell.com). Además, consulte la *Matriz de compatibilidad* en [support.dell.com/manuals](http://support.dell.com/manuals) para obtener configuraciones adicionales o software necesarios para la matriz de almacenamiento específica.

## Localización de la etiqueta de servicio

El sistema se identifica mediante un Código de servicio rápido y un número de Etiqueta de servicio únicos. El código de servicio rápido y la etiqueta de servicio se encuentran en la parte anterior del sistema y también en la parte posterior, junto a los módulos de la controladora RAID. Dell utiliza esta información para dirigir las llamadas de asistencia al personal correspondiente.



## Información de la NOM (sólo para México)

La información que se proporciona a continuación aparece en el dispositivo descrito en este documento de conformidad con los requisitos de la Norma Oficial Mexicana (NOM):

|                          |                                                                                                                   |
|--------------------------|-------------------------------------------------------------------------------------------------------------------|
| Importador:              | Dell Inc. de México, S.A. de C.V.<br>Paseo de la Reforma 2620 -11º Piso<br>Col. Lomas Altas<br>11950 México, D.F. |
| Número de modelo:        | E03J y E04J                                                                                                       |
| Voltaje de alimentación: | 100-240 VCA                                                                                                       |
| Frecuencia:              | 50 Hz/60 Hz                                                                                                       |
| Consumo eléctrico:       | 8,6 A                                                                                                             |

# Especificaciones técnicas

---

## Unidades

---

|                    |                                                                                                            |
|--------------------|------------------------------------------------------------------------------------------------------------|
| PowerVault MD3600f | Hasta doce unidades de disco duro de intercambio directo SAS de 3,5 pulgadas (3,0 Gbps y 6,0 Gbps)         |
| PowerVault MD3620f | Hasta veinticuatro unidades de disco duro de intercambio directo SAS de 2,5 pulgadas (3,0 Gbps y 6,0 Gbps) |

---

## Módulos de la controladora RAID

---

|                                 |                                                                                                                                                                 |
|---------------------------------|-----------------------------------------------------------------------------------------------------------------------------------------------------------------|
| Módulos de la controladora RAID | <ul style="list-style-type: none"><li>• Uno o dos módulos de intercambio directo con sensores de temperatura</li><li>• 2 GB de caché por controladora</li></ul> |
|---------------------------------|-----------------------------------------------------------------------------------------------------------------------------------------------------------------|

---

## Conectores del panel posterior (por módulo de la controladora RAID)

---

|                                     |                                                                                                                                                                                                                                                                                                                                                                                                                                                                                                                                                                                                                                                                                         |
|-------------------------------------|-----------------------------------------------------------------------------------------------------------------------------------------------------------------------------------------------------------------------------------------------------------------------------------------------------------------------------------------------------------------------------------------------------------------------------------------------------------------------------------------------------------------------------------------------------------------------------------------------------------------------------------------------------------------------------------------|
| Conectores FC                       | Cuatro puertos de ENTRADA FC para conectar hosts                                                                                                                                                                                                                                                                                                                                                                                                                                                                                                                                                                                                                                        |
| Conector SAS                        | Un puerto de SALIDA SAS para un gabinete PowerVault MD12xx adicional<br><b>NOTA:</b> el conector SAS es de conformidad con SFF-8088.                                                                                                                                                                                                                                                                                                                                                                                                                                                                                                                                                    |
| Conector serie                      | Un conector miniDIN de 6 patas<br><b>NOTA:</b> sólo para asistencia técnica.                                                                                                                                                                                                                                                                                                                                                                                                                                                                                                                                                                                                            |
| Conector Ethernet de administración | Un puerto Ethernet 100/1000 Base-T para la administración fuera de banda del gabinete<br><b>NOTA:</b> las direcciones IP de puerto de administración predeterminadas para los módulos de la controladora RAID primarios y secundarios son 192.168.128.101 y 192.168.128.102, respectivamente. De manera predeterminada, los puertos de administración se configuran en DHCP. Si la controladora no es capaz de obtener una configuración de dirección IP de un servidor DHCP en un tiempo de espera determinado (aproximadamente 3 minutos), vuelve de manera predeterminada al direccionamiento IP estático. Para obtener más información, consulte la <i>Guía de implementación</i> . |

---

## Expansión

---

Serie PowerVault MD1200

Admite un máximo de 192 unidades de disco duro con cualquier combinación de gabinetes de expansión PowerVault MD1200 o PowerVault MD1220. El soporte para 192 unidades de disco duro es una función Premium y requiere activación. La cantidad máxima de discos duros admitidos sin utilizar la función Premium es 120.

La conectividad de la ruta de acceso redundante proporciona rutas de acceso redundantes a cada unidad de disco duro.

---

## Tarjeta de plano posterior

---

Conectores

- 12 ó 24 conectores de unidad de disco duro SAS
- Dos conectores para módulos de suministro de energía/ventilador de enfriamiento
- Dos conjuntos de conectores del módulo de la controladora RAID
- Un conector del panel de control para LEDs anteriores y un botón de identificación del sistema

Sensores

Dos sensores de temperatura

---

## Indicadores LED

---

Panel anterior

- Un indicador LED de dos colores para el estado del sistema
- Dos indicadores LED de un solo color para la alimentación y el modo gabinete

**NOTA:** el LED del modo gabinete no es aplicable a la matriz de almacenamiento de la serie PowerVault MD3600f.

Portaunidades de disco duro

- Un indicador LED de un solo color de actividad
- Un indicador LED de dos colores de estado por disco



---

**Indicadores LED (continuación)**

---

|                                                  |                                                                                                                                                                                                                                                                                                                                                                                                                                                                                                                                                                       |
|--------------------------------------------------|-----------------------------------------------------------------------------------------------------------------------------------------------------------------------------------------------------------------------------------------------------------------------------------------------------------------------------------------------------------------------------------------------------------------------------------------------------------------------------------------------------------------------------------------------------------------------|
| Suministro de energía/ventilador de enfriamiento | Tres indicadores LED de estado para el estado del suministro de energía, los fallos del suministro de energía/ventilador y el estado de CA                                                                                                                                                                                                                                                                                                                                                                                                                            |
| Módulo de la controladora RAID                   | 14 indicadores LED de un sólo color: <ul style="list-style-type: none"><li>• Uno de batería defectuosa</li><li>• Uno de caché activa</li><li>• Uno de controladora defectuosa</li><li>• Uno de alimentación de controladora</li><li>• Uno de identificación del sistema</li><li>• Uno de actividad Ethernet de administración</li><li>• Ocho enlaces FC o errores</li></ul> 2 indicadores LED de 2 colores: <ul style="list-style-type: none"><li>• Uno de fallo o enlace de salida de SAS</li><li>• Uno de velocidad del enlace Ethernet de administración</li></ul> |

---

**Conmutador**

---

|                                              |                                                                                                                                                          |
|----------------------------------------------|----------------------------------------------------------------------------------------------------------------------------------------------------------|
| Botón de identificación del sistema          | Ubicado en el panel de control anterior. Este botón se usa para ubicar un sistema en un bastidor.                                                        |
| Conmutador de modo gabinete                  | Situado en la parte anterior del sistema. Este conmutador no se aplica a la matriz de almacenamiento de la serie PowerVault MD3600f.                     |
| Conmutador de restablecimiento de contraseña | Situado en el panel posterior del módulo de controladora RAID. Este conmutador se utiliza para restablecer la contraseña de la matriz de almacenamiento. |

---

**Suministros de energía**

---

Fuente de alimentación de CA (por fuente de alimentación)

|                               |                                                                                                                                                                                                              |
|-------------------------------|--------------------------------------------------------------------------------------------------------------------------------------------------------------------------------------------------------------|
| Potencia                      | 600 W                                                                                                                                                                                                        |
| Voltaje                       | 100–240 VCA (8,6 A–4,3 A)                                                                                                                                                                                    |
| Disipación de calor           | 100 W                                                                                                                                                                                                        |
| Corriente de irrupción máxima | En condiciones normales de línea y en todo el rango de funcionamiento ambiente del sistema, la irrupción de corriente puede alcanzar un máximo de 55 A por cada suministro de energía durante 10 ms o menos. |

---

**Alimentación de la unidad de disco duro disponible (por ranura)**

---

|                    |      |
|--------------------|------|
| PowerVault MD3600f | 25 W |
| PowerVault MD3620f | 12 W |

---

**Alimentación del módulo de la controladora RAID (por ranura)**

---

|                           |       |
|---------------------------|-------|
| Consumo de energía máximo | 100 W |
|---------------------------|-------|

---

**Características físicas**

---

PowerVault MD3600f

|                             |                           |
|-----------------------------|---------------------------|
| Altura                      | 8,68 cm (3,41 pulgadas)   |
| Anchura                     | 44,63 cm (17,57 pulgadas) |
| Profundidad                 | 60,20 cm (23,70 pulgadas) |
| Peso (configuración máxima) | 29,30 kg (64,6 libras)    |
| Peso (vacío)                | 8,84 kg (19,5 libras)     |

PowerVault MD3620f

|                             |                           |
|-----------------------------|---------------------------|
| Altura                      | 8,68 cm (3,41 pulgadas)   |
| Anchura                     | 44,63 cm (17,57 pulgadas) |
| Profundidad                 | 54,90 cm (21,61 pulgadas) |
| Peso (configuración máxima) | 24,22 kg (53,4 libras)    |
| Peso (vacío)                | 8,61 kg (19 libras)       |

---

## Especificaciones medioambientales

---

**NOTA:** Para obtener información adicional acerca de medidas ambientales relativas a configuraciones del sistema específicas, vaya a [www.dell.com/environmental\\_datasheets](http://www.dell.com/environmental_datasheets).

### Temperatura

En funcionamiento De 10 °C a 35 °C (de 50 °F a 95 °F) con una gradación de temperatura máxima de 10 °C por hora

**NOTA:** Para altitudes superiores a 900 m (2950 pies), la temperatura máxima de funcionamiento se reduce 1 °C/334 m (1 °F/550 pies).

Almacenamiento

De -40 °C a 65 °C (de -40 °F a 149 °F) con una gradación de temperatura máxima de 20 °C por hora

### Humedad relativa

En funcionamiento

Del 20% al 80% (sin condensación) con una gradación de humedad máxima del 10% por hora

Almacenamiento

Del 5% al 95% (sin condensación)

### Vibración máxima

En funcionamiento

De 0,25 G a 3-200 Hz durante 15 minutos

Almacenamiento

De 0,5 G a 3-200 Hz durante 15 minutos

### Impacto máximo

En funcionamiento

Un impulso de descarga en el sentido positivo del eje z (un impulso en cada lado del sistema) de 31 G durante 2,6 ms en la orientación de funcionamiento

Almacenamiento

Seis impulsos de descarga ejecutados consecutivamente en los ejes positivos y negativos x, y y z (un impulso en cada lado del sistema) de 71 G durante un máximo de 2 ms

### Altitud

En funcionamiento

De -16 m a 3.048 m (de -50 pies a 10.000 pies)

**NOTA:** para altitudes superiores a 900 m (2950 pies), la temperatura máxima de funcionamiento se reduce 1 °C/334 m (1 °F/550 pies).

Almacenamiento

De -16 m a 10.600 m (de -50 a 35.000 pies)

### Nivel de contaminación atmosférica

Clase

G1 de acuerdo con ISA-S71.04-1985



Dell PowerVault  
MD3600f ve MD3620f  
Depolama Dizinleri

# Sisteminizi Kullanmaya Başlarken

Resmi Model Serisi E03J ve E04J



# Notlar, Dikkat Edilecek Noktalar ve Uyarılar



**NOT:** NOT, bilgisayarınızdan daha iyi şekilde yararlanmanıza yardımcı olacak önemli bilgiler verir.



**DİKKAT:** DİKKAT, yönergelere uyulmadığında donanımın zarar görebileceğini veya veri kaybı olabileceğini belirtir.



**UYARI:** UYARI, meydana gelebilecek olası maddi hasar, kişisel yaralanma veya ölüm tehlikesi anlamına gelir.

---

**Bu belgedeki bilgiler önceden bildirilmeksizin değiştirilebilir.**

**© 2011 Dell Inc. Tüm hakları saklıdır.**

Dell Inc.'in yazılı izni olmadan bu belgelerin herhangi bir şekilde çoğaltılması kesinlikle yasaktır.

Bu metinde kullanılan ticari markalar: Dell™, DELL logosu ve PowerVault™ Dell Inc. kuruluşunun ticari markalarıdır. Microsoft® ve Windows Server®, Microsoft Corporation kuruluşunun ABD ve/veya diğer ülkelerdeki ticari markaları ya da tescilli ticari markalarıdır. Red Hat® ve Red Hat Enterprise Linux® Red Hat, Inc. şirketinin ABD ve diğer ülkelerdeki tescilli ticari markalarıdır. SUSE® Novell, Inc. şirketinin ABD ve diğer ülkelerdeki tescilli ticari markasıdır. VMware® VMware, Inc. şirketinin ABD ve/veya diğer hükümetlerdeki tescilli ticari markasıdır.

Bu belgede, marka ve adların sahiplerine ya da ürünlerine atıfta bulunmak için başka ticari marka ve ticari adlar kullanılabilir. Dell Inc. kendine ait olanların dışındaki ticari markalar ve ticari isimlerle ilgili hiçbir mülkiyet hakkı olmadığını beyan eder.

Resmi Model Serisi E03J ve E04J

2011 - 08 P/N NKX4V Rev. A02

## Başlamadan Önce



**NOT:** Bu belgenin tamamında Dell PowerVault MD3600f serisi depolama dizisi, hem Dell PowerVault MD3600f hem de Dell PowerVault MD3620f ürününü ifade etmektedir. Dell PowerVault MD1200 serisi genişletme kasası hem Dell PowerVault MD1200 hem de Dell PowerVault MD1220 ürününü ifade etmektedir.

PowerVault MD3600f serisi depolama dizinizi kurmadan önce, depolama dizinizin maksimum verimlilikte çalışması ve tam yedeklilik sunması için (gerekliyse), belirli en iyi uygulamaları göz önünde bulundurmanız gerekir.

- Yedekliliği sağlamak için, ana bilgisayar sisteminden depolama dizisine iki adet Fiber Kanal ana sunucu veri yolu adaptörü (HBA) bağlanmalıdır. Yedeklilik gerekli değilse, depolama dizisine yalnızca bir tane FC HBA bağlanır. Desteklenen HBA'ların bir listesi için *Destek Matrisi* bölümüne ve HBA sürücülerinin montajıyla ilgili bilgi için *Fiber Kanalı Dell MD3600f Serisi Depolama Dizisiyle Yapılandırma* bölümüne bakın. Her iki belgeyi de şu adresten indirebilirsiniz: [support.dell.com/manuals](http://support.dell.com/manuals).
- Ana sunucu ve depolama dizisi arasına herhangi bir kablo bağlamadan önce, her bir bağlantı noktasını ve konektörü fiziksel olarak etiketleyin.
- Ağ boyunca güç dolaşımı sağlarken, her zaman güç açma ve güç kapama yordamlarını uygulayın. Ayrıca, kritik ağ bileşenlerinin farklı güç devrelerinde olduğundan da emin olmalısınız.

## SFP Modülleriyle ve Fiber Optik Kablolarla Çalışma



**NOT:** SFP+ modülleri 8 GB Fiber Kanal bağlantıları için desteklenir. Bu belge genel olarak SFP ile ilgilidir.

Her depolama denetleyicisi en fazla dört tane FC ana makine bağlantı noktasına sahip olabilir. Ana makine bağlantı noktasını ana makineye veya anahtara bağlamak için küçük form faktörü takılabilir (SFP) modülü kullanılır. Önce SFP modülü bağlantı noktasına takılır, ardından da fiber optik kablo SFP modülüne takılır. Fiber optik kablunun diğer ucu, ana makine veya anahtar üzerindeki FC HBA'da optik arabirim konektörüne bağlanır. SFP modülleri lazer ürünleridir.



**UYARI:** Veri işleme ortamları, 1. Sınıf güç düzeylerinin üstünde çalışan lazer modüllerine sahip sistem bağlantılarında donanım aktarımı içerebilir. Optik fiber kablunun uç kısmından veya açık elektrik çıkışından içeri doğru kesinlikle bakmayın.

## Fiber Optik Kabloları Kullanma Yönergeleri

- Kabloyu, katlanmış bir kablo yönlendirme koluna doğru yönlendirmeyin.
- Kaydırma rayları üzerindeki aygıtlar için, uzatıldıklarında veya geri çekilirken sıkıştıklarında 76 mm (3") çapından ya da 38 mm (1,5") yarıçapından daha az bükülmemelerini sağlamak amacıyla kablolarda yeterince boşluk bırakın.
- Kabloyu, raf kabinindeki diğer aygıtlar nedeniyle hasar görebileceği yerlerden uzak tutun.
- Sağlanan kablo şeritleri yerine plastik kablo bantları kullanmayın.
- Kablo şeritlerini aşırı sıkmayın veya kabloları 76 mm (3") çapından veya 38 mm (1,5") yarıçapından daha az bükmeyin.
- Kablonun bağlantı noktasına aşırı yük koymayın. Kablonun iyi desteklendiğinden emin olun.

## SFP Modüllerini Kullanma Yönergeleri

Depolama dizisi SFP modüllerini gerektirir. SFP modülleri, elektrik sinyallerini RAID denetleyici modüllerine veya modüllerinden FC aktarımı için gerekli olan optik sinyallere dönüştürür. SFP modülleri takıldıktan sonra, depolama dizisini diğer FC aygıtlarına bağlamak için fiber optik kablolar kullanılır. SFP modüllerini ve fiber optik kabloları takmadan önce şu bilgileri okuyun:

- PowerVault MD3600f serisi depolama dizileriyle yalnızca Dell destekli SFP'ler kullanın. Diğer marka SFP'ler desteklenmez ve depolama dizileriyle çalışmaz.
- SFP modülü yuvası, SFP modülünü hatalı şekilde yerleştirmenizi önlemek için tasarlanmış bir entegre kılavuz anahtarına sahiptir.
- SFP modülünü FC bağlantı noktasına yerleştirirken minimum basınç uygulayın. SFP modülünü bağlantı noktasına yerleştirmek için zorlamanız, SFP modülüne veya bağlantı noktasına zarar verebilir.
- SFP modülünü, bağlantı noktası açıkken takabilir veya çıkarabilirsiniz.
- Fiber optik kabloyu bağlamadan önce SFP modülünü bağlantı noktasına takmanız gerekir.
- SFP modülünü bağlantı noktasından çıkarmadan önce, fiber optik kabloyu SFP modülünden çıkarmanız gerekir.



**DİKKAT:** Statik elektriğe duyarlı aygıtları taşırken, ürünün statik elektrik nedeniyle hasar görmesini önlemek için gerekli önlemleri alın.



# İhtiyaç Duyabileceğiniz Diğer Belge ve Ortamlar



**UYARI:** Sisteminizle birlikte verilen güvenlik bilgilerine ve düzenleyici bilgilere bakın. Garanti bilgileri bu belgeye dahil edilmiş veya ayrı bir belge olarak eklenmiş olabilir.



**NOT:** Tüm PowerVault MD3600f serisi belgelerini [support.dell.com/manuals](http://support.dell.com/manuals) adresinde bulabilirsiniz.

- Raf çözümünüze eklenen raf belgeleri sisteminizin rafa nasıl monte edileceğini açıklamaktadır.
- *Kullanıcı El Kitabı*, sistem özellikleri üzerine bilgiler içermekte ve sistemde sorun giderme, sistem bileşenlerinin yüklenmesi veya değiştirilmesi işlemlerinin nasıl yapılacağını anlatmaktadır.
- *Uygulama Kılavuzu*, yazılım ve donanımın kurulması ve yapılandırılması hakkında bilgiler sunar.
- *CLI Kılavuzu*, depolama dizinizi yapılandırmak ve yönetmek için komut hattı arabiriminin (CLI) kullanılması hakkında bilgiler sunar.
- *SMI-S Programlayıcı Kılavuzu*, SMI-S sağlayıcının kullanılması ve SMI-S programlama hakkında bilgiler sunar.
- Sisteminizle birlikte satın aldığımız işletim sistemi, sistem yönetimi yazılımı, sistem güncellemeleri ve sistem bileşenleri ile ilgili olanlar dahil, sisteminizle birlikte gönderilen ve sisteminizin yapılandırılması ve yönetilmesi için belgeler ve araçlar sunan her türlü ortam.



**NOT:** Her zaman [support.dell.com/manuals](http://support.dell.com/manuals) adresindeki güncellemeleri kontrol edin ve genellikle diğer belgelerdekenden daha güncel bilgiler içerdiği için ilk önce güncellemeleri okuyun.

## Desteklenen İşletim Sistemleri

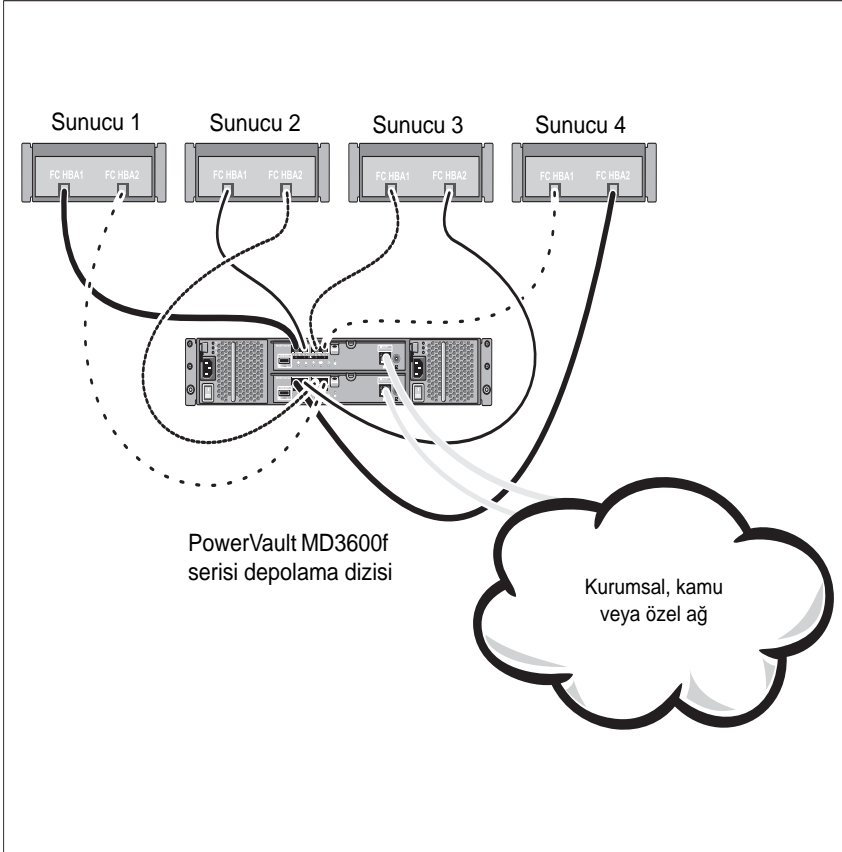
- Microsoft Windows Server
- Red Hat Enterprise Linux
- SUSE Linux Enterprise Server
- VMware



**NOT:** Tüm desteklenen işletim sistemi sürümleri hakkında en yeni bilgiler için, bkz. [support.dell.com/manuals](http://support.dell.com/manuals) adresindeki *Destek Matrisi* bölümü.

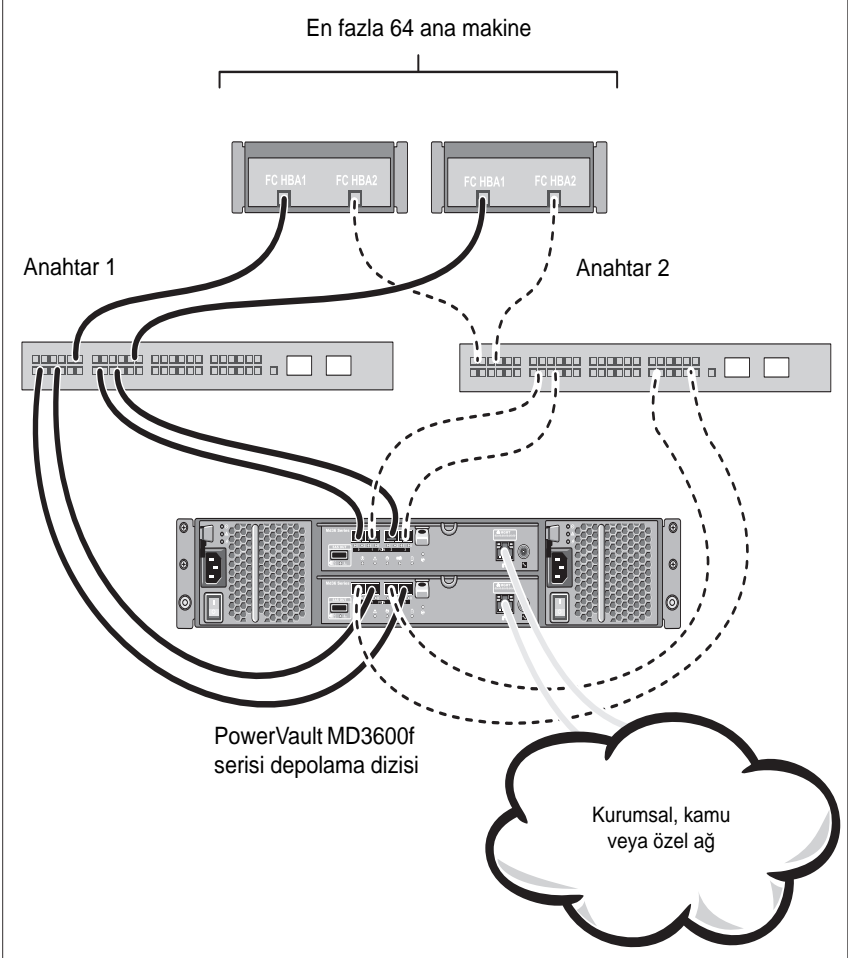
# Genel Yapılandırmalar

## Doğrudan Bağlanan Ana Sunucularınızı Kablolama



## SAN Ortamına Bağlanan Ana Sunucularınızı Kablolama

Aşağıdaki sistem yedekli bir sistemi temsil eder. Örneğin, uzak bir replikasyon ortamında kullanılan bir sistem.



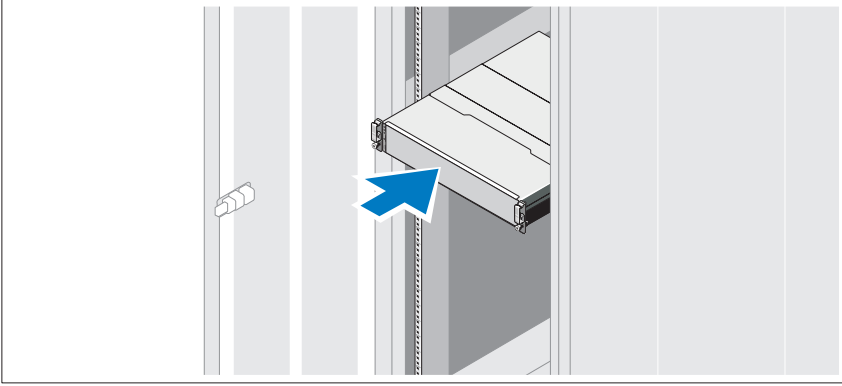
# Kurulum ve Yapılandırma

**⚠ UYARI:** Bir sonraki yordamı uygulamadan önce, sistemle birlikte gelen güvenlik yönergelerini inceleyin.

## Sistemi Paketinden Çıkarma

Sisteminizi paketinden çıkarın ve ambalaj listesindeki tüm öğelerin sisteminizde bulunup bulunmadığını kontrol edin.

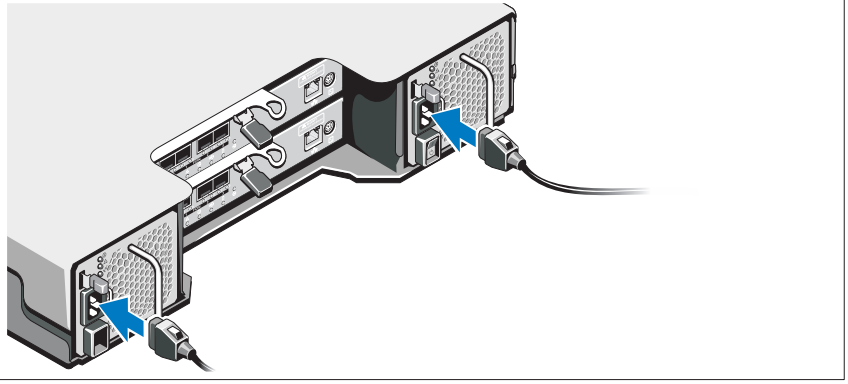
## Rayları ve Sistemi Rafa Monte Etme



Rayların ve sistemin rafa montajını sistemle birlikte sağlanan güvenlik yönergelerini ve raf montaj yönergelerini izleyerek gerçekleştirin.

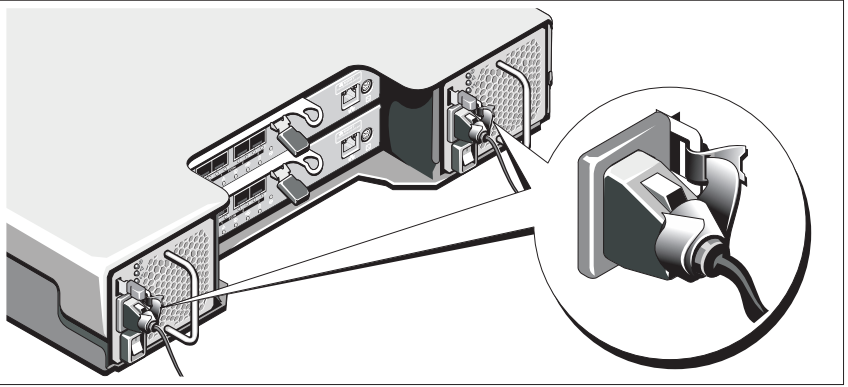
**🔪 NOT:** Ağırlık yükünü dengelemek için PowerVault MD3600f serisi depolama dizisini rafın alt kısmına ve PowerVault MD1200 genişletme kasalarını bunun üzerine monte etmeniz önerilir.

## Güç Kablolarının Bağlanması



Güç kablolarını bağlamadan önce güç anahtarının KAPALI konumda olduğundan emin olun. Sistemin güç kablolarını sisteme bağlayın.

## Güç Kablolarının Sabitlemesi



Sağlanan şeridi kullanarak kabloları desteğe sıkıca sabitleyin.


Güç kablolarının diğer uçlarını topraklı bir elektrik prizine ya da kesintisiz güç kaynağı (UPS) veya güç dağıtım birimi (PDU) gibi ayrı bir güç kaynağına takın. Her bir güç kaynağı ayrı bir güç devresine bağlanmalıdır.

## SFP Modüllerini Takma ve Çıkarma


SFP modüllerini takmak için:

- 1 Tüm FC IN bağlantı noktalarına bir SFP modülü takılmışsa, şuraya gidin: adım 5.
- 2 SFP modülünü statik enerjiden koruyan ambalajından çıkarın.
- 3 Koruyucu başlığı SFP modülünden ve SFP bağlantı noktasından çıkarın. Koruyucu başlıkları daha sonra kullanılmak üzere saklayın.
- 4 SFP modülünü yerine oturuncaya kadar ana makine bağlantı noktasının içine yerleştirin.
- 5 FC kablosunu bağlayın. Bkz. "Fiber Kanal Kablolarını Takma ve Çıkarma" sayfa 188.

SFP modüllerini çıkarmak için:

- 1 FC kablosunu SFP modülünden çıkarın. Bkz. "Fiber Kanal Kablolarını Takma ve Çıkarma" sayfa 188.  
 **NOT:** Kabloya veya SFP modülüne zarar vermemek için, SFP modülünü çıkarmadan önce FC kablosunun bağlantısını kesin.
- 2 SFP modülünün mandalını açın. Kablo tırnakları içeren SFP modüllerinde, SFP modülünün mandalını kablo mandalını 90° dışarı doğru çekerek açın.
- 3 SFP modülünün mandalı açık konumdayken SFP modülünü çıkarın. Kablo tırnakları içeren SFP modüllerinde, kablo mandalını kavrayın ve SFP modülünü bağlantı noktasından çıkarın.
- 4 Koruyucu başlığı SFP modülüne ve ana makine bağlantı noktasına geri takın.
- 5 SFP modülünü statik enerjiden koruyan ambalajına yerleştirin.

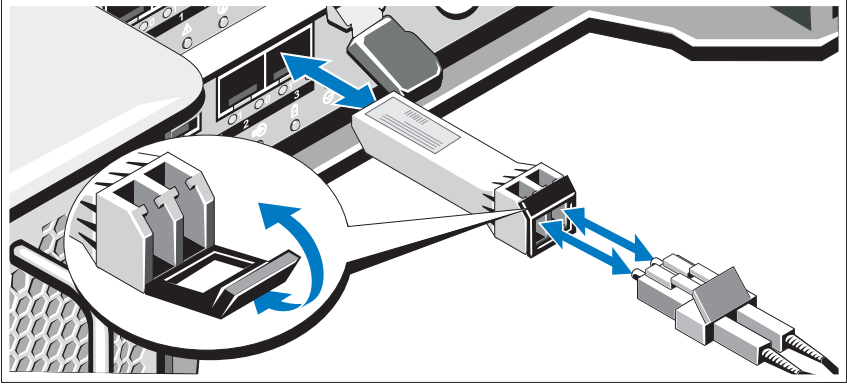
## Fiber Kanal Kablolarını Takma ve Çıkarma

 **UYARI:** Veri işleme ortamları, 1. Sınıf güç düzeylerinin üstünde çalışan lazer modüllerine sahip sistem bağlantılarında donanım aktarımı içerebilir. Optik fiber kablonun uç kısmından veya açık elektrik çıkışından içeri doğru kesinlikle bakmayın.

FC kablosunu takmadan önce bkz. "Fiber Optik Kabloları Kullanma Yönergeleri" sayfa 182.

FC kablosunu takmak için:

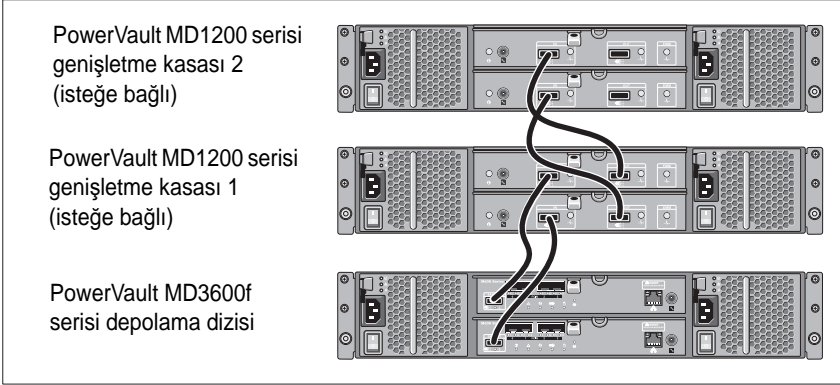
- 1 Varsa, koruyucu başlığı SFP modülünden çıkarın ve daha sonra kullanılmak üzere saklayın.
- 2 İki koruyucu başlığı da kablunun bir ucundan çıkarın ve daha sonra kullanılmak üzere saklayın.
- 3 Kabloyu, depolama dizisine takılan SFP modülüne yerleştirin. Kablo konektörü doğru kurulum için kodlanmıştır. Bir yandan konektörü tutarken, diğer yandan kabloyu yerine oturuncaya kadar içeri itin.
- 4 Kablunun diğer ucundan iki koruyucu başlığı çıkarın ve daha sonra kullanılmak üzere saklayın.
- 5 Kablunun bu ucunu aşağıdaki aygıtlardan birine bağlayın:
  - FC anahtar bağlantı noktasına takılı bir SFP modülü
  - FC HBA bağlantı noktası



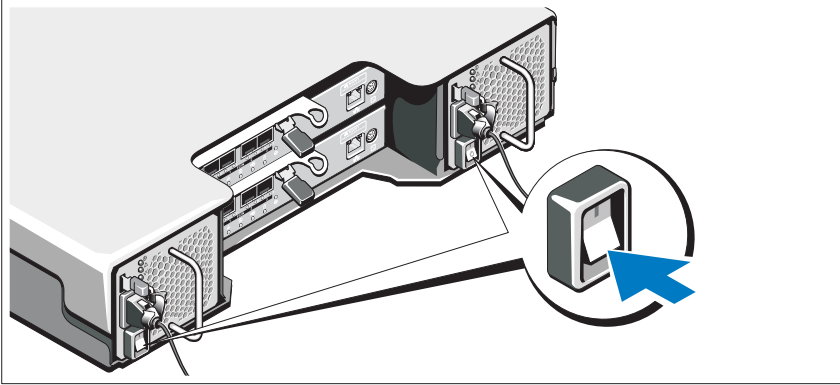
FC kablosunu çıkarmak için:

- 1 Kabloyu SFP modülünden çıkarmadan önce mandalları açmak için kolu basılı tutun. Kabloyu çıkarırken kolların açık konumda olduğundan emin olun. Kabloyu çıkarırken SFP modülünün plastik tırnağını kavramayın.
- 2 Kablunun SFP modülüne veya HBA'ya bağlanan ucunda, mandalları açmak için kolu basılı tutun.
- 3 Kablo kolunu aşağı bastırırken, kabloyu SFP modülünden çıkarmak için konektörü çekin.
- 4 Koruyucu başlıkları kablo uçlarına geri takın.
- 5 Koruyucu başlığı SFP modülüne geri takın.

## Geniřletme Kasanızı Kablolama



## Depolama Dizisini Ama



Bileřenleri ařaęıdaki sırayla aın:

- 1 FC anahtarları (kullanılıyorsa)
- 2 MD1200 serisi geniřletme kasaları (kullanılıyorsa)



**NOT:** Depolama dizisini amadan nce, geniřletme kasası durum LED'inin mavi yandıęından emin olun.

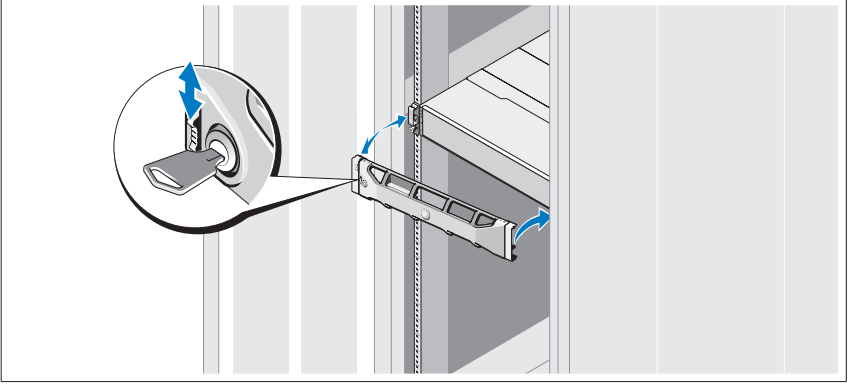


### 3 MD3600f serisi depolama dizisi

**NOT:** Ana sunucuları açmadan önce, depolama dizisi durum LED'inin mavi yandığından emin olun.

### 4 Ana sunucular

## Çerçevenin Takılması



Çerçeveyi takın (isteğe bağlı).

## HBA'ları ve Sürücülerini Takma

**NOT:** Bu yordama devam etmeden önce *Fiber Kanalı Dell MD3600f Serisi Depolama Dizisiyle Yapılandırma* belgesini okuduğunuzdan emin olun. MD depolama yazılımını kurma, kasayı kurma ve kurulum sonrası görevlerle ilgili ayrıntılı yönergeler için, bkz. *Uygulama Kılavuzu*.

- 1 HBA'ları fiziksel olarak takın.
- 2 Kabloları takın.
- 3 HBA sürücülerini ve işletim sistemi HBA yamalarını/düzeltilmelerini yükleyin.
- 4 Önerilen HBA ayarlarının uygulandığından emin olun.

## MD Depolama Yazılımını Kurma



**NOT:** MD depolama yazılımını kurma, kasayı kurma ve kurulum sonrası görevlerle ilgili ayrıntılı yönergeler için, bkz. *Uygulama Kılavuzu*.

MD Depolama Yöneticisi uygulaması, depolama dizisini yapılandırır, yönetir ve izler. MD depolama yazılımını kurmak için:


- 1 MD serisi kaynak ortamını takın.

İşletim sisteminize bağlı olarak yükleyici otomatik olarak başlamalıdır. Yükleyici otomatik olarak çalışmazsa, kurulum ortamının kök dizinine gidin (veya yükleyici görüntüsünü indirin) ve **md\_launcher.exe** dosyasını çalıştırın. Linux tabanlı sistemlerde, kaynak ortamın köküne gidin ve **autorun** dosyasını çalıştırın.



**NOT:** Red Hat Enterprise Linux işletim sistemi, varsayılan olarak, kaynak ortamı yürütülebilir dosyaları çalıştırmaya olanak tanımayan **-noexec montaj** seçeneğiyle monte eder. Bu ayarı değiştirmek için kurulum ortamının kök dizinindeki **Benioku** dosyasına bakın.

- 2 **MD Depolama Yazılımını Kur** seçeneğini belirleyin.
- 3 Lisans sözleşmesini okuyun ve kabul edin.
- 4 **Kurulum Grubu** açılır menüsünden aşağıdaki kurulum seçeneklerinden birini seçin:
  - **Tam (önerilen)**—MD Depolama Yöneticisi (istemci) yazılımını, ana sunucu tabanlı depolama aracısını, çok yönlü sürücüyü ve donanım sağlayıcıları yükler.
  - **Sadece Ana Makine**—Ana sunucu tabanlı depolama aracısını ve çok yönlü sürücülerini yükler.
  - **Yönetim**—Yönetim yazılımını ve donanım sağlayıcıları yükler.
  - **Özel**—Belirli bileşenleri seçmenize olanak tanır.
- 5 Bu ana sunucu için veri depolamaya yönelik ayarladığınız MD depolama dizisi modellerini seçin.
- 6 Ana sunucu yeniden başlatıldığında olay izleyicisi hizmetinin manuel ya da otomatik olarak başlatılacağını seçin.

 **NOT:** Bu seçenek sadece Windows istemci yazılımı kurulumu için geçerlidir.
- 7 Yükleme konumunu onaylayın ve **Yükle** öğesini tıklatın.
- 8 İstenirse kurulum tamamlandığında ana sunucuyu yeniden başlatın.

9 **MD Depolama Yöneticisi**'ni başlatın ve dizileri algılamasını sağlayın.

**NOT:** MD depolama dizisinin yönetim bağlantı noktalarının bağlı olduğu ağda Dinamik Ana Makine Yapılandırma Protokolü (DHCP) kullanılmıyorsa, depolama dizilerini bulmak için yönetim istasyonunda IPv6'yı etkinleştirmeniz önerilir.

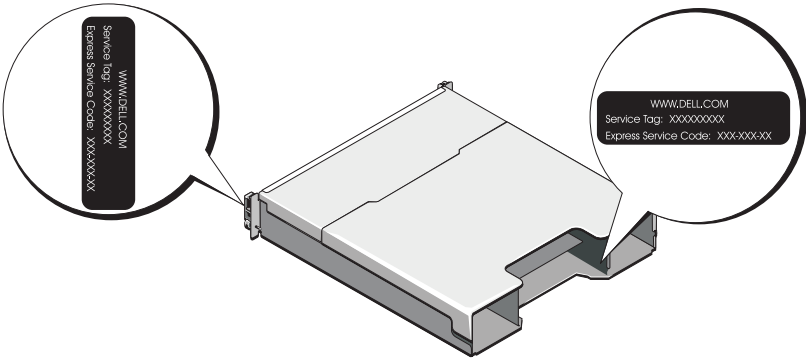
10 Fiber Kanal anahtarlarınızda tek başlatıcıyı veya birden fazla hedef zonlamayı yapılandırın. Zonlama hakkında bilgi için bkz. *Uygulama Kılavuzu*.

11 Mevcutsa, depolama diziniz ile birlikte satın aldığımız premium özellikleri etkinleştirin. Premium özellikler satın aldıysanız depolama diziniz ile birlikte gönderilen baskılı etkinleştirme kartınıza bakın.

**NOT: MD Depolama Yöneticisi** yükleyicisi depolama dizinizi çalıştırmak için gerekli sürücüler, ürün yazılımını ve işletim sistemi yamalarını/düzeltilmelerini otomatik olarak yükler. Bu sürücüler ve ürün yazılımlarını **support.dell.com** adresinden de edinebilirsiniz. Ayrıca, depolama dizinize yönelik ek ayarlar ve/veya yazılımlar için **support.dell.com/manuals** adresindeki *Support Matrix* (Destek Matrisi) bölümüne bakın.

## Servis Etiketinizin Yerini Bulma

Sisteminiz benzersiz bir Hızlı Hizmet Kodu ve Hizmet Etiket numarası aracılığıyla tanınır. Hızlı Hizmet Kodu ve Hizmet Etiket sistemin ön tarafında ve arka tarafında RAID denetleyici modüllerinin yanında bulunur. Bu bilgiler, Dell tarafından destek aramalarının uygun personele yönlendirilmesinde kullanılır.



# NOM Bilgisi (Yalnızca Meksika İçin)

Aşağıdaki bilgiler, resmi Meksika standartlarının (NOM) gerekliliklerine uygun olarak bu belgede açıklanan aygıt üzerinde bulunmaktadır:

|                   |                                                                                                                   |
|-------------------|-------------------------------------------------------------------------------------------------------------------|
| İthalatçı:        | Dell Inc. de México, S.A. de C.V.<br>Paseo de la Reforma 2620 -11º Piso<br>Col. Lomas Altas<br>11950 México, D.F. |
| Model numarası:   | E03J ve E04J                                                                                                      |
| Besleme gerilimi: | 100–240 V CA                                                                                                      |
| Frekans:          | 50/60 Hz                                                                                                          |
| Akım tüketimi:    | 8,6 A                                                                                                             |

## Teknik Özellikler

### Sürücüler

|                    |                                                                                                 |
|--------------------|-------------------------------------------------------------------------------------------------|
| PowerVault MD3600f | Maksimum on iki adet 3,5 inç SAS çalışırken takılabilir sabit sürücü (3.0 Gbps ve 6.0 Gbps)     |
| PowerVault MD3620f | Maksimum yirmi dört tane 2,5 inç SAS çalışırken takılabilir sabit sürücü (3.0 Gbps ve 6.0 Gbps) |

### RAID Denetleyici Modülleri

|                            |                                                                                                                                                            |
|----------------------------|------------------------------------------------------------------------------------------------------------------------------------------------------------|
| RAID denetleyici modülleri | <ul style="list-style-type: none"><li>Bir veya iki adet çalışırken takılabilir, sıcaklık sensörlü modül</li><li>Denetleyici başına 2 GB önbellek</li></ul> |
|----------------------------|------------------------------------------------------------------------------------------------------------------------------------------------------------|

### Arka Panel Konektörleri (RAID Denetleyici Modülü Başına)

|                 |                                                                                                                                         |
|-----------------|-----------------------------------------------------------------------------------------------------------------------------------------|
| FC konektörleri | Ana makineleri bağlamak için dört adet FC IN bağlantı noktası                                                                           |
| SAS konektörü   | Ek bir PowerVault MD12xx kasasına genişletme için bir adet SAS ÇIKIŞI bağlantı noktası<br><b>NOT:</b> SAS konektörü SFF-8088 uyumludur. |
| Seri konektör   | Bir adet 6 pimli mini DIN konektörü<br><b>NOT:</b> Sadece teknik destek amaçlı kullanım için.                                           |

---

## Arka Panel Konektörleri (RAID Denetleyici Modülü Başına) (devamı)

---

Yönetim Ethernet konektörü

Kasanın bant dışı yönetimi için bir adet 100/1000 Base-T port Ethernet

**NOT:** Birincil ve ikincil RAID denetleyici modülleri için varsayılan yönetim bağlantı noktası IP adresleri sırasıyla: 192.168.128.101 ve 192.168.128.102 Varsayılan olarak yönetim bağlantı noktaları DHCP'ye ayarlıdır. Denetleyici belirli bir zaman aşımı süresi (yaklaşık 3 dakika) içinde DHCP sunucusundan IP adresi yapılandırması alamazsa varsayılan statik IP adresi ayarına geri döner. Daha fazla bilgi için bkz. *Uygulama Kılavuzu*.

---

## Genişletme

---

PowerVault MD1200 serisi

PowerVault MD1200 veya PowerVault MD1220 genişletme kasalarının tüm kombinasyonlarıyla maksimum 192 adet sabit sürücüyü destekler. 192 sabit sürücü desteği Premium Özelliştirme gerektirir. Premium Özellik kullanılmadan desteklenen maksimum sabit sürücü sayısı 120'dir.

Yedek yol bağlantısı, her sabit sürücüye yedek veri yolları sağlar.

---

## Arka Panel Kartı

---

Konektörler

- 12 veya 24 adet SAS sabit sürücü konektörü
- İki güç kaynağı/soğutma fanı modülü konektörü
- İki set RAID denetleyici modülü konektörü
- Ön LED'ler ve sistem tanımlama düğmesi için bir kontrol paneli konektörü

Sensörler

İki adet sıcaklık sensörü

---

## LED Göstergeleri

---

|                          |                                                                                                                                                                                                                                                                                                                                                                                                                                                                                                                      |
|--------------------------|----------------------------------------------------------------------------------------------------------------------------------------------------------------------------------------------------------------------------------------------------------------------------------------------------------------------------------------------------------------------------------------------------------------------------------------------------------------------------------------------------------------------|
| Ön panel                 | <ul style="list-style-type: none"><li>• Sistem durumu için bir adet iki renkli LED göstergesi</li><li>• Güç ve kasa modu için iki adet tek renkli LED göstergesi</li></ul> <p><b>NOT:</b> PowerVault MD3600f serisi depolama dizisinde, kasa modu LED'i bulunmamaktadır.</p>                                                                                                                                                                                                                                         |
| Sabit sürücü taşıyıcısı  | <ul style="list-style-type: none"><li>• Bir adet tek renkli etkinlik LED'i</li><li>• Sürücü başına bir adet iki renkli LED durum göstergesi</li></ul>                                                                                                                                                                                                                                                                                                                                                                |
| Güç kaynağı/soğutma fanı | Güç kaynağı durumu, güç kaynağı/fan arızası ve AC durumu için üç adet LED durumu göstergesi                                                                                                                                                                                                                                                                                                                                                                                                                          |
| RAID denetleyici modülü  | 14 adet tek renkli LED: <ul style="list-style-type: none"><li>• Bir adet pil hatası</li><li>• Bir adet önbellek etkinliği</li><li>• Bir adet denetleyici hatası</li><li>• Bir adet denetleyici gücü</li><li>• Bir adet sistem tanımlama</li><li>• Bir adet yönetim Ethernet etkinliği</li><li>• Sekiz adet FC bağlantısı veya hatası</li></ul> 2 adet iki renkli LED: <ul style="list-style-type: none"><li>• Bir adet SAS ÇIKIŞI bağlantısı veya hatası</li><li>• Bir adet yönetim Ethernet bağlantı hızı</li></ul> |

---

## Anahtar

---

|                           |                                                                                                                       |
|---------------------------|-----------------------------------------------------------------------------------------------------------------------|
| Sistem tanımlama düğmesi  | Ön kontrol panelinde yer alır. Bu düğme raf içindeki bir sistemi bulmak için kullanılır.                              |
| Kasa modu anahtarı        | Sistemin ön kısmında yer alır. Bu anahtar, PowerVault MD3600f serisi depolama dizisinde bulunmamaktadır.              |
| Parola sıfırlama anahtarı | RAID denetleyici modülünün arka panelinde yer alır. Bu anahtar depolama dizisi parolasını sıfırlamak için kullanılır. |

---

## Güç Kaynakları

---

### AC güç kaynağı (güç kaynağı başına)

|                   |                                                                                                                                                                              |
|-------------------|------------------------------------------------------------------------------------------------------------------------------------------------------------------------------|
| Vatt Değeri       | 600 V                                                                                                                                                                        |
| Gerilim           | 100–240 VAC (8,6 A–4,3 A)                                                                                                                                                    |
| Isı dağıtımı      | 100 V                                                                                                                                                                        |
| Maksimum ani akım | Normal hat koşulları altında ve sistemin ortam çalışma aralığının tamamı boyunca, ani akım 10 ms veya daha kısa bir süre için güç kaynağı başına maksimum 55 A'ya ulaşabilir |

---

## Kullanılabilir Sabit Sürücü Gücü (Yuva Başına)

---

|                    |      |
|--------------------|------|
| PowerVault MD3600f | 25 V |
| PowerVault MD3620f | 12 V |

---

## RAID Denetleyici Modülü Gücü (Yuva Başına)

---

|                       |       |
|-----------------------|-------|
| Maksimum güç tüketimi | 100 V |
|-----------------------|-------|

---

## Fiziksel

---

### PowerVault MD3600f

|                                 |                    |
|---------------------------------|--------------------|
| Yükseklik                       | 8,68 cm (3,41")    |
| Genişlik                        | 44,63 cm (17,57")  |
| Derinlik                        | 60,20 cm (23,70")  |
| Ağırlık (maksimum yapılandırma) | 29,30 kg (64,6 lb) |
| Ağırlık (boş durumda)           | 8,84 kg (19,5 lb)  |

### PowerVault MD3620f

|                                 |                    |
|---------------------------------|--------------------|
| Yükseklik                       | 8,68 cm (3,41")    |
| Genişlik                        | 44,63 cm (17,57")  |
| Derinlik                        | 54,90 cm (21,61")  |
| Ağırlık (maksimum yapılandırma) | 24,22 kg (53,4 lb) |
| Ağırlık (boş durumda)           | 8,61 kg (19 lb)    |

---

## Çevre Özellikleri

---

**NOT:** Belirli sistem yapılandırmalarına ilişkin çevresel ölçümlerle ilgili ek bilgi için bkz. [www.dell.com/environmental\\_datasheets](http://www.dell.com/environmental_datasheets).

### Sıcaklık

Çalışma Saatte maksimum 10°C'lik sıcaklık değişimli  
10° - 35°C (50° - 95°F)  
**NOT:** 2950 fitten fazla yükseklikler için, maksimum  
çalışma sıcaklığı 1°F/550 ft. düşer.

Depolama Saatte maksimum 20°C'lik sıcaklık değişimli  
-40° - 65°C (-40° - 149°F)

### Bağıl nem

Çalışma Saatte maksimum %10'luk nem değişimli  
%20 - %80 (yoğuşmasız)

Depolama %5 - %95 (yoğuşmasız)

### Maksimum titreşim

Çalışma 15 dk. için 3–200 Hz'de 0,25 G

Depolama 15 dk. için 3–200 Hz'de 0,5 G

### Maksimum sarsıntı

Çalışma Çalışma yönünde 2,6 ms için 31 G'lik pozitif z  
ekseninde (sistemin her tarafında tek darbe) tek  
sarsıntı darbesi

Depolama Pozitif ve negatif x, y ve z eksenlerinde 2 ms'ye kadar  
71 G değerinde gerçekleşen birbiri ardına altı sarsıntı  
darbesi (sistemin her tarafında tek darbe)

### Yükseklik

Çalışma -16 - 3048 m (-50 - 10.000 ft)

**NOT:** 2950 fitin üzerindeki yükseklikler için, maksimum  
çalışma sıcaklığı 1°F/550 ft. düşer.

Depolama -16 - 10.600 m (-50 - 35.000 ft)

### Havadan Geçen Madde Düzeyi

Sınıf ISA-S71.04-1985 ile tanımlanan biçimde G1



## סביבתי

**הערה:** לקבלת מידע נוסף אודות מדידות סביבתיות עבור תצורות מערכת מסוימות, ראה [www.dell.com/environmental\\_datasheets](http://www.dell.com/environmental_datasheets).

|                    |                                                                                                                                    |
|--------------------|------------------------------------------------------------------------------------------------------------------------------------|
| טמפרטורה           |                                                                                                                                    |
| הפעלה              | 10° עד 35° צלזיוס (50° עד 95° פרנהייט) עם שינוי הדרגתי מרבי בטמפרטורה של 10° צלזיוס בשעה                                           |
|                    | <b>הערה:</b> בגבהים שמעל 900 מטר, טמפרטורת ההפעלה המרבית יורדת ב- 0.5 מעלות צלזיוס בקירוב לכל 165 מ'.                              |
| אחסון              | 40°– עד 65° צלזיוס (40°– עד 149° פרנהייט) עם שינוי הדרגתי מרבי בטמפרטורה של 20° צלזיוס בשעה                                        |
| לחות יחסית         |                                                                                                                                    |
| הפעלה              | 20% עד 80% (ללא התעבות) עם שינוי הדרגתי מרבי בלחות של 10% בשעה                                                                     |
| אחסון              | 5% עד 95% (ללא התעבות)                                                                                                             |
| מידת תנודה מרבית   |                                                                                                                                    |
| הפעלה              | 0.25 G ב- 200-3 הרץ במשך 15 דקות                                                                                                   |
| אחסון              | 0.5 G ב- 200-3 הרץ במשך 15 דקות                                                                                                    |
| מידת זעזועים מרבית |                                                                                                                                    |
| הפעלה              | פעימת זעזוע אחת של 31 G בציר Z החיובי (פעימה אחת בכל צד של המערכת) למשך 2.6 מילי-שניות בכיוון ההפעלה                               |
| אחסון              | שש פעימות זעזוע של 71 G המופעלות בזו אחר זו בצירי X, Y ו-Z החיוביים והשליליים (פעימה אחת בכל צד של המערכת) למשך עד 2 אלפיות השנייה |
| גובה               |                                                                                                                                    |
| הפעלה              | 16– עד 3048 מטר (50– עד 10,000 רגל)                                                                                                |
|                    | <b>הערה:</b> בגבהים שמעל 900 מטר, טמפרטורת ההפעלה המרבית יורדת ב- 0.5 מעלות צלזיוס בקירוב לכל 165 מטר.                             |
| אחסון              | 16– עד 10,600 מטר (50– עד 35,000 רגל)                                                                                              |
| רמת זיהום אוויר    |                                                                                                                                    |
| סיווג              | G1 כמוגדר ב- ISA-S71.04-1985                                                                                                       |

| <b>ספקי זרם</b>                                                                                                                            |                    |
|--------------------------------------------------------------------------------------------------------------------------------------------|--------------------|
| זרם חילופין (לכל ספק זרם)                                                                                                                  |                    |
| 600 וואט                                                                                                                                   | הספק               |
| 100–240 וולט ז"ח (4.3–8.6 אמפר)                                                                                                            | מתח                |
| 100 וואט                                                                                                                                   | פיזור חום          |
| בתנאי קו טיפוסיים ובטווח הפעולה של סביבת המערכת כולה, זרם הנהירה (inrush) עשוי להגיע ל- 55 אמפר לכל היותר לכל ספק זרם למשך 10 מ"ש או פחות. | זרם נהירה מרבי     |
| <b>אספקת חשמל זמינה לכוון קשיח (לחריץ)</b>                                                                                                 |                    |
| 25 וואט                                                                                                                                    | PowerVault MD3600f |
| 12 וואט                                                                                                                                    | PowerVault MD3620f |
| <b>אספקת חשמל למודול בקר RAID (לחריץ)</b>                                                                                                  |                    |
| 100 וואט                                                                                                                                   | צריכת זרם מרבית    |

#### **פיזי**

|                    |                    |
|--------------------|--------------------|
| PowerVault MD3600f |                    |
| 8.68 ס"מ           | גובה               |
| 44.63 ס"מ          | רוחב               |
| 60.20 ס"מ          | עומק               |
| 29.30 ק"ג          | משקל (תצורה מרבית) |
| 8.84 ק"ג           | משקל (ריק)         |
| PowerVault MD3620f |                    |
| 8.68 ס"מ           | גובה               |
| 44.63 ס"מ          | רוחב               |
| 54.90 ס"מ          | עומק               |
| 24.22 ק"ג          | משקל (תצורה מרבית) |
| 8.61 ק"ג           | משקל (ריק)         |

---

## נוריות חיווי

- נורית חיווי אחת בעלת שני צבעים לציון מצב המערכת
- שתי נוריות חיווי בעלות צבע אחד למצב אספקת חשמל וזיווד

לוח קדמי

### **הערה:** נורית מצב זיווד אינה ישימה למערך האחסון PowerVault MD3600f Series.

- נורית פעילות אחת בעלת צבע אחד
- נורית חיווי מצב אחת בעלת שני צבעים לכל כונן שלוש נוריות חיווי מצב לציון מצב ספק הזרם, כשל בספק זרם/מאוורר ומצב זרם חילופין
- 14 נוריות של צבע אחד:
  - אחת לתקלה בסוללה
  - אחת למטמון פעיל
  - אחת לתקלה בבקר
  - אחת לאספקת חשמל לבקר
  - אחת לזיהוי מערכת
  - אחת לניהול פעילות Ethernet
  - שמונה לקישור או תקלה של FC
- 2 נוריות בשני צבעים:
  - אחת לקישור או תקלה של SAS OUT
  - אחת לניהול מהירות קישור Ethernet

מפרץ כונן קשיח

ספק זרם/מאוורר קירור

מודול בקר RAID

---

## מתג

- ממוקם בלוח הבקרה הקדמי. לחצן זה משמש לאיתור מערכת בתוך מעמד.
- ממוקם בחזית המערכת. מתג זה אינו ישים למערך האחסון PowerVault MD3600f Series.
- נמצא בלוח האחורי של מודול בקר ה-RAID. מתג זה משמש לאיפוס סיסמת מערך האחסון.

לחצן זיהוי מערכת

מתג מצב זיווד

מתג איפוס סיסמה

---

## מחברי לוח אחורי (לכל מודול בקר RAID) (המשך)

---

|                                                                                                                                                                                                                                                                                                                                                  |                                                                    |
|--------------------------------------------------------------------------------------------------------------------------------------------------------------------------------------------------------------------------------------------------------------------------------------------------------------------------------------------------|--------------------------------------------------------------------|
| מחבר ניהול Ethernet                                                                                                                                                                                                                                                                                                                              | 100/1000 Base-T port Ethernet אחד עבור ניהול out-of-band של הזיווד |
| <b>הערה:</b> כתובות ה-IP של יציאות הניהול עבור מודולי בקר ה-RAID הראשי והמשני הן 192.168.128.101 ו-192.168.128.102, בהתאמה. כברירת מחדל, יציאות הניהול מוגדרות לפרוטוקול DHCP. אם הבקר אינו מצליח לקבל תצורת כתובת IP משרת ה-DHCP תוך זמן מוגדר (3 דקות לערך), הוא חוזר חזרה לברירת המחדל של מיעון IP סטטי. לקבלת מידע נוסף, עיין במדריך הפריסה. |                                                                    |

---

## הרחבה

|                                                                                                                                                                                                       |                          |
|-------------------------------------------------------------------------------------------------------------------------------------------------------------------------------------------------------|--------------------------|
| תמיכה ב-192 כוננים קשיחים לכל היותר, עם כל צירוף של זיוודי הרחבה PowerVault או PowerVault MD1200 Series                                                                                               | PowerVault MD1200 Series |
| MD1220. תמיכה ב-192 כוננים קשיחים היא תכונת פרמיום ומחייבת הפעלה. המספר המרבי של כוננים קשיחים שנתמך ללא שימוש בתכונת פרמיום הוא 120. קישוריות נתיבים יתירים מספקת נתיבי נתונים יתירים לכל כונן קשיח. |                          |

---

## לוח אם

|         |                                                                                                                                                                                                                                             |
|---------|---------------------------------------------------------------------------------------------------------------------------------------------------------------------------------------------------------------------------------------------|
| מחברים  | <ul style="list-style-type: none"><li>• 12 או 24 מחברי כונן קשיח SAS</li><li>• שני מחברי מודול ספק זרם/מאוורר קירור</li><li>• שתי ערכות של מחברי מודול בקר RAID</li><li>• מחבר לוח בקרה אחד עבור נוריות קדמיות ולהצנן זיהוי מערכת</li></ul> |
| חיישנים | שני חיישני טמפרטורה                                                                                                                                                                                                                         |

# מידע NOM (מקסיקו בלבד)

המידע הבא ניתן עבור ההתקן המתואר במסמך זה, בהתאם לדרישות התקנים המקסיקניים הרשמיים (NOM):

Dell Inc. de México, S.A. de C.V.  
Paseo de la Reforma 2620 -11º Piso  
Col. Lomas Altas  
11950 México, D.F.

יבואן:

מספר דגם: E03J ו-E04J  
מתח חשמלי: 100–240 וולט CA  
תדר: 50/60 הרץ  
צריכת זרם: 8.6 אמפר

## מפרט טכני

| כוננים                                                                                                                                         |                    |
|------------------------------------------------------------------------------------------------------------------------------------------------|--------------------|
| עד שניים עשר כוננים קשיחים מסוג SAS בגודל 3.5 אינץ' עם אפשרות להחלפה חמה (3.0 Gbps ו-6.0 Gbps)                                                 | PowerVault MD3600f |
| עד עשרים וארבעה כוננים קשיחים מסוג SAS בגודל 2.5 אינץ' עם אפשרות להחלפה חמה (3.0 Gbps ו-6.0 Gbps)                                              | PowerVault MD3620f |
| מודולי בקר RAID                                                                                                                                |                    |
| <ul style="list-style-type: none"><li>• מודול אחד או שניים, עם אפשרות להחלפה חמה, עם חיישני טמפרטורה</li><li>• מטמון של 2 GB לכל בקר</li></ul> | מודולי בקר RAID    |

## מחברי לוח אחורי (לכל מודול בקר RAID)

|                                                          |           |
|----------------------------------------------------------|-----------|
| ארבע יציאות FC IN לחיבור מארחים                          | מחברי FC  |
| יציאת SAS OUT אחת להרחבה של זיווד PowerVault MD12xx נוסף | מחבר SAS  |
| <b>הערה:</b> מחבר ה-SAS תואם ל-SFF-8088.                 |           |
| מחבר 6 פינים אחד מסוג מיני-DIN                           | מחבר טורי |
| <b>הערה:</b> לשימוש תמיכה טכנית בלבד.                    |           |

8 אם תתבקש, אתחל את השרת המארח עם השלמת ההתקנה.

9 הפעל את **MD Storage Manager** ואתר את המערך או המערכים.

**הערה:** אם לא נעשה שימוש ב- Dynamic Host Configuration Protocol (DHCP) ברשת שאליה מחוברות יציאות הניהול של מערך האחסון MD, מומלץ לאפשר IPv6 בתחנת הניהול כדי לגלות את מערך האחסון.

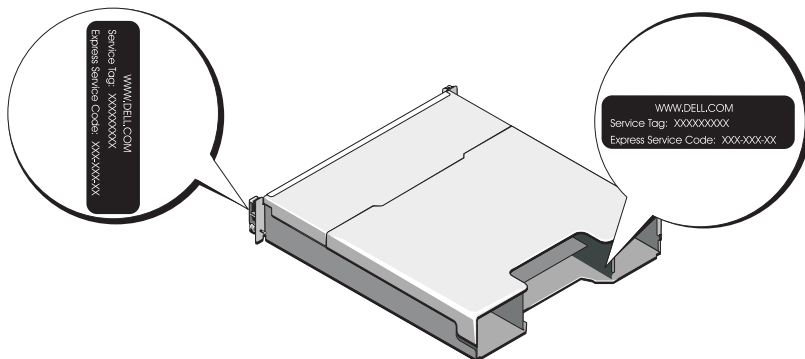
10 קבע תצורה של מאתחל בודד וחלוקה לאזורי יעד מרובים במתגי Fibre Channel. לקבלת מידע על חלוקה לאזורים, עיין במדריך הפריסה.

11 אם מתאים, הפעל תכונות פרמיום שרכשת עם מערך האחסון. אם רכשת תכונות פרמיום, עיין בכרטיס ההפעלה המודפס המצורף למערך האחסון.


**הערה:** תוכנית ההתקנה של **MD Storage Manager** מתקינה אוטומטית את מנהלי ההתקנים הדרושים, קושחה וטלאים/תיקונים חמים של מערכת ההפעלה שמיועדים להפעלת מערך האחסון. מנהלי התקנים וקושחה אלו זמינים גם באתר [support.dell.com](http://support.dell.com). נוסף על כך, עיין ב- *Support Matrix* (מטריצת תמיכה) באתר [support.dell.com/manuals](http://support.dell.com/manuals) לקבלת הגדרות ו/או תוכנות נוספות הדרושות למערך האחסון שברשותך.

## איתור תג השירות

המערכת מזוהה באמצעות קוד שירות מהיר ומספר תג שירות ייחודיים. קוד השירות המהיר ותג השירות נמצאים בחזית המערכת ובגב המערכת, ליד מודולי בקר ה- RAID. מידע זה משמש את Dell לניתוח שיחות תמיכה לעובדים המתאימים.




## התקנת תוכנת האחסון MD

 **הערה:** לקבלת הוראות מפורטות לגבי ההתקנה של תוכנת האחסון MD, הגדרת הזיוד והמשימות שלאחר ההתקנה, עיין במדריך הפריסה.

היישום MD Storage Manager קובע את התצורה, מנהל ומבצע ניטור של מערך האחסון. כדי להתקין את תוכנת האחסון MD:

1 הכנס את מדיית המשאבים של MD Series.

בהתאם למערכת ההפעלה, ייתכן שתוכנית ההתקנה תופעל אוטומטית. אם תוכנית ההתקנה אינה מופעלת אוטומטית, נווט לספריית השורש במדיית ההתקנה (או תמונת תוכנית ההתקנה שהורדת) והפעל את הקובץ `md_launcher.exe`. במערכות מבוססות Linux, נווט אל השורש של מדיית המשאב והפעל את הקובץ `autorun`.

 **הערה:** כברירת מחדל, מערכת ההפעלה Red Hat Enterprise Linux מרכיבה את מדיית המשאב באמצעות האפשרות `noexec mount`, אשר אינה מאפשרת להפעיל קובצי הפעלה. כדי לשנות הגדרה זו, עיין בקובץ `Readme` שבספריית השורש של מדיית ההתקנה.

2 בחר באפשרות `Install MD Storage Software`.


3 קרא את הסכם הרשיון וקבל אותו.

4 בחר את אפשרויות ההתקנה הבאות מתוך התפריט הנפתח `Install Set`:

- **Full (recommended)** (מלא (מומלץ)) — התקנת תוכנת MD Storage Manager (לקוח), סוכן אחסון מבוסס מארח, מנהלי התקנים לריבוי נתיבים וספקי חומרה.
- **Host Only** (מארח בלבד) — התקנת סוכן האחסון מבוסס המארח ומנהלי התקנים לריבוי נתיבים.
- **Management** (ניהול) — התקנת תוכנת הניהול וספקי החומרה.
- **Custom** (מותאמת אישית) — אפשרות לבחור רכיבים מסוימים.

5 בחר את דגמי מערך האחסון MD שאתה מגדיר לשימוש כאחסון נתונים עבור שרת מארח זה.

6 בחר אם להפעיל שירות ניטור אירועים בצורה אוטומטית או ידנית, בעת אתחול מחדש של השרת המארח.

 **הערה:** אפשרות זו ישימה רק להתקנת תוכנת לקוח ל- Windows.

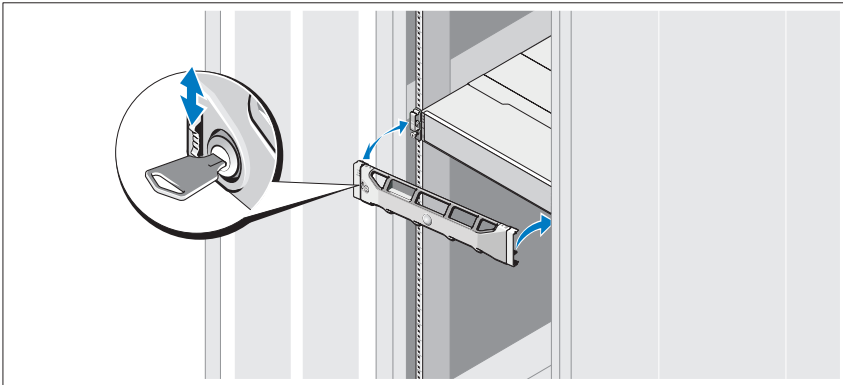
7 אשר את מיקום ההתקנה ולאחר מכן לחץ על `Install` (התקנה).

### 3 מערך אחסון MD3600f Series

**הערה:** לפני הפעלת השרתים המארחים, ודא שנורית המצב של מערך האחסון מאירה בכחול.

### 4 שרתים מארחים

## התקנת הלוח הקדמי



התקן את הלוח הקדמי (אופציונלי).

## התקנת מתאמי HBA ומנהלי ההתקנים

**הערה:** הקפד לקרוא את המסמך קביעת תצורה של Fibre Channel עם מערך האחסון Dell MD3600f Series לפני שתמשיך בהליך זה. לקבלת הוראות מפורטות לגבי ההתקנה של תוכנת האחסון MD, הגדרת הזיוד והמשימות שלאחר ההתקנה, עיין במדריך הפריסה.

1 התקן פיזית את מתאמי ה-HBA.

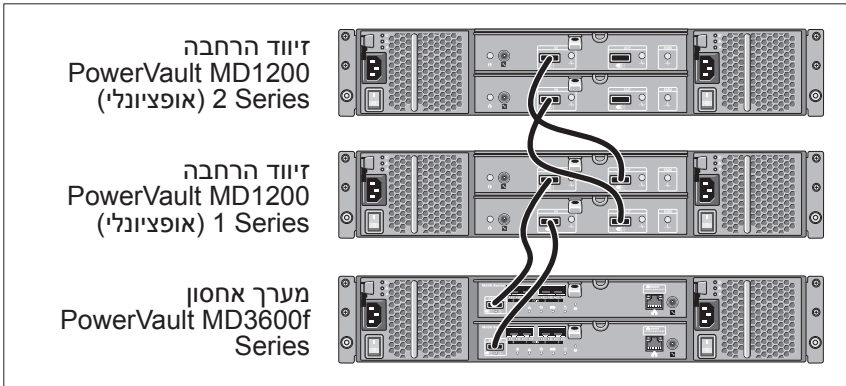
2 חבר את הכבלים.

3 התקן את מנהלי ההתקנים של ה-HBA ואת הטלאים/התיקונים החמים של ה-HBA למערכת ההפעלה.

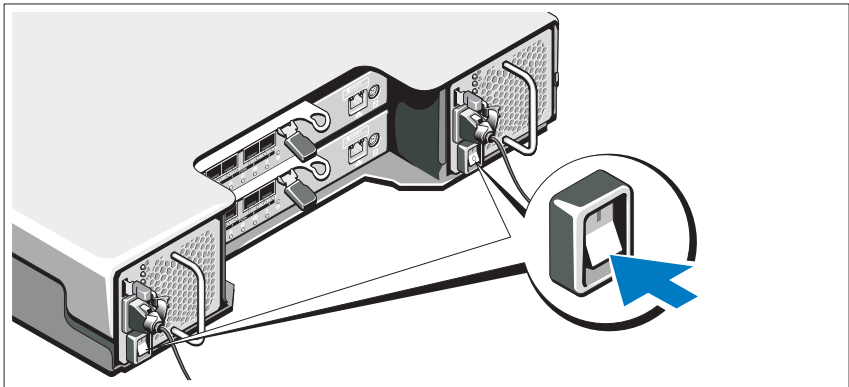
4 ודא שהשתמשת בהגדרות ה-HBA המומלצות.



## חיווט זיווד הרחבה




## הפעלת מערך האחסון



הפעל את הרכיבים בסדר הבא:

1 מתגי FC (אם בשימוש)

2 זיווד הרחבה MD1200 Series (אם בשימוש)

**הערה:** לפני הפעלת מערך האחסון, ודא שמורית המצב של זיווד הרחבה מאירה בכחול. 

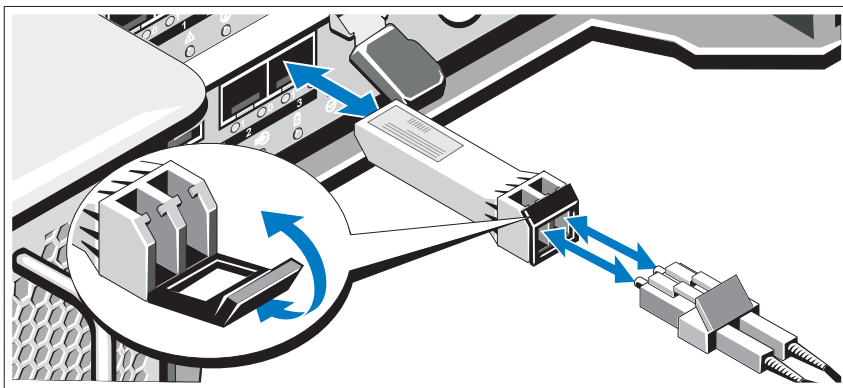
**3** הכנס את הכבל לתוך מודול SFP שמותקן במערך האחסון. מחבר הכבל מסומן כדי להבטיח התקנה נכונה. החזק את המחבר ודחף פנימה את הכבל עד שייכנס למקומו בנקישה.

**4** הסר את שני מכסי ההגנה מהקצה השני של הכבל ואחסן אותם לשימוש בעתיד.

**5** חבר קצה זה של הכבל לאחד מההתקנים הבאים:

– מודול SFP שמותקן ביציאת מתג FC

– יציאת FC HBA



כדי להסיר כבל FC:

**1** לחץ על הידית והחזק אותה כדי לשחרר את התפסים, לפני הסרת הכבל ממודול ה-SFP. ודא שהידיות נמצאות במצב פתוח בעת הסרת הכבל. אל תאחז בלשונית הפלסטיק של מודול ה-SFP בעת הסרת הכבל.

**2** בקצה הכבל שמתחבר למודול ה-SFP או HBA, לחץ על הידית והחזק אותה לחוצה כדי לשחרר את התפסים.

**3** תוך כדי לחיצה על ידית הכבל, משוך את המחבר כדי להסיר את הכבל ממודול ה-SFP.

**4** התקן חזרה את מכסי ההגנה על קצות הכבל.

**5** התקן חזרה את מכסה ההגנה על מודול ה-SFP.

## התקנה והסרה של מודולי SFP


כדי להתקין מודולי SFP:

- 1 אם בכל יציאות ה- FC IN מותקן מודול SFP, עבור אל שלב 5.
- 2 הוצא את מודול ה- SFP מאריזת המגן האנטיסטטית.
- 3 הסר את מכסה ההגנה ממודול ה- SFP ומיציאת ה- SFP. אחסן את מכסי ההגנה לשימוש בעתיד.
- 4 הכנס את מודול ה- SFP לתוך יציאת המארח, עד שייכנס למקומו בנקישה.
- 5 חבר כבל FC. ראה "התקנה והסרה של כבלי ה- Fibre Channel" בעמוד 10.

כדי להסיר מודולי SFP:

- 1 הסר את כבל ה- FC ממודול ה- SFP. ראה "התקנה והסרה של כבלי ה- Fibre Channel" בעמוד 10.
-  **הערה:** כדי למנוע פגיעה בכבל או במודול ה- SFP, נתק את כבל ה- FC לפני הסרת מודול ה- SFP.
- 2 פתח את תפס מודול ה- SFP. עבור מודולי SFP שמכילים לשוניות תיל, פתח את תפס מודול ה- SFP על-ידי משיכת תפס התיל כלפי חוץ ב-  $90^\circ$ .
  - 3 כאשר תפס מודול ה- SFP נמצא במצב לא נעול, הסר את מודול ה- SFP. עבור מודולי SFP שמכילים לשוניות תיל, אחוז בתפס התיל ומשוך את מודול ה- SFP אל מחוץ ליציאה.
  - 4 התקן חזרה את מכסה ההגנה על מודול ה- SFP ועל יציאת המארח.
  - 5 הכנס את מודול ה- SFP לאריזת מגן אנטיסטטית.

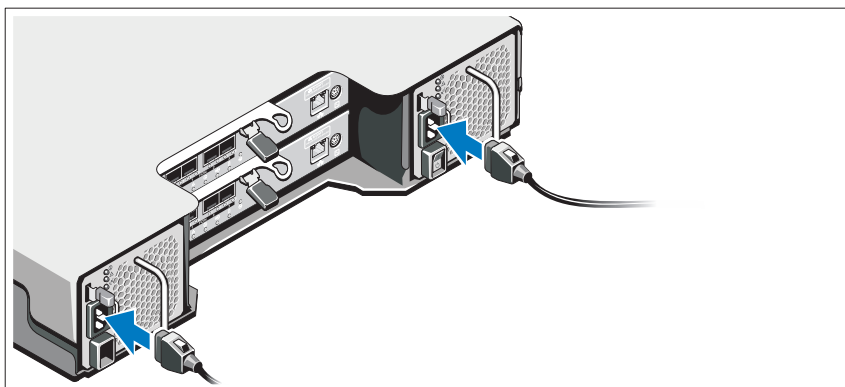
## התקנה והסרה של כבלי ה- Fibre Channel

 **אזהרה:** סביבות עיבוד נתונים יכולות להכיל ציוד המשדר בקישורי מערכת עם מודולי לייזר, הפועלים ברמות הספק גבוהות מ- Class 1. לעולם אין להביט לתוך קצה כבל סיבים אופטיים או שקע פתוח.

לפני התקנת כבל FC, ראה "הנחיות לשימוש בכבלי סיבים אופטיים" בעמוד 4.  
כדי להתקין כבל FC:

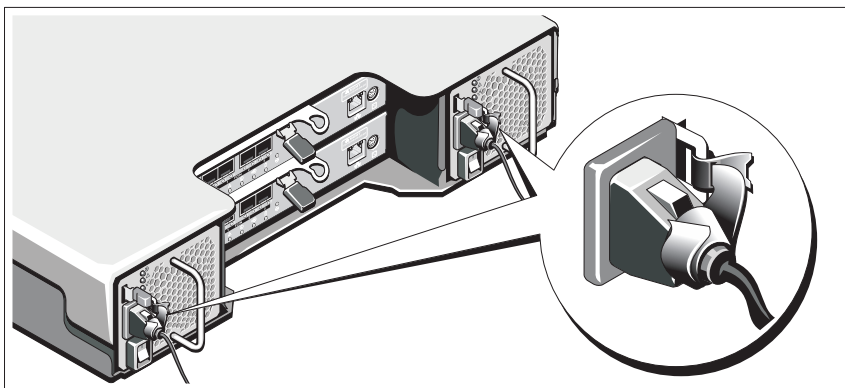
- 1 אם יש צורך, הסר את מכסה ההגנה ממודול ה- SFP ואחסן אותו לשימוש בעתיד.
- 2 הסר את שני מכסי ההגנה מקצה אחד של הכבל ואחסן אותם לשימוש בעתיד.

## חיבור כבלי החשמל



ודא שמתג ההפעלה נמצא במצב כבוי (OFF), לפני שתחבר את כבלי החשמל. חבר אל המערכת את כבל(ים) החשמל של המערכת.

## אבטחת כבלי החשמל



אבטח את הכבלים היטב לכן באמצעות הרצועה המצורפת. חבר את הקצה השני של כבלי החשמל לשקע חשמל מוארק או למקור חשמל נפרד, כגון אל-פסק (UPS) או ליחידת חלוקת חשמל (PDU). כל ספק זרם צריך להיות מחובר למעגל חשמלי נפרד.

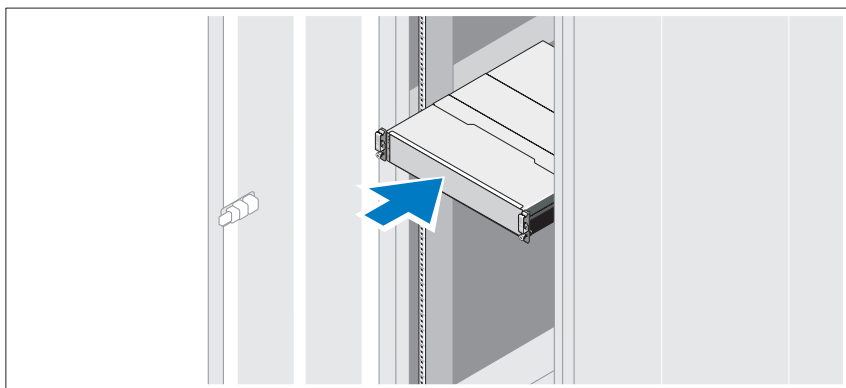
## התקנה וקביעת תצורה

**אזהרה:** לפני ביצוע ההליך הבא, עיין בהוראות הבטיחות המצורפות למערכת. 


### הוצאת המערכת מהאריזה

הוצא את המערכת מהאריזה וזהה כל פריט, לפי רשימת האריזה שמצורפת למערכת.

### התקנת המסילות והמערכת במעמד

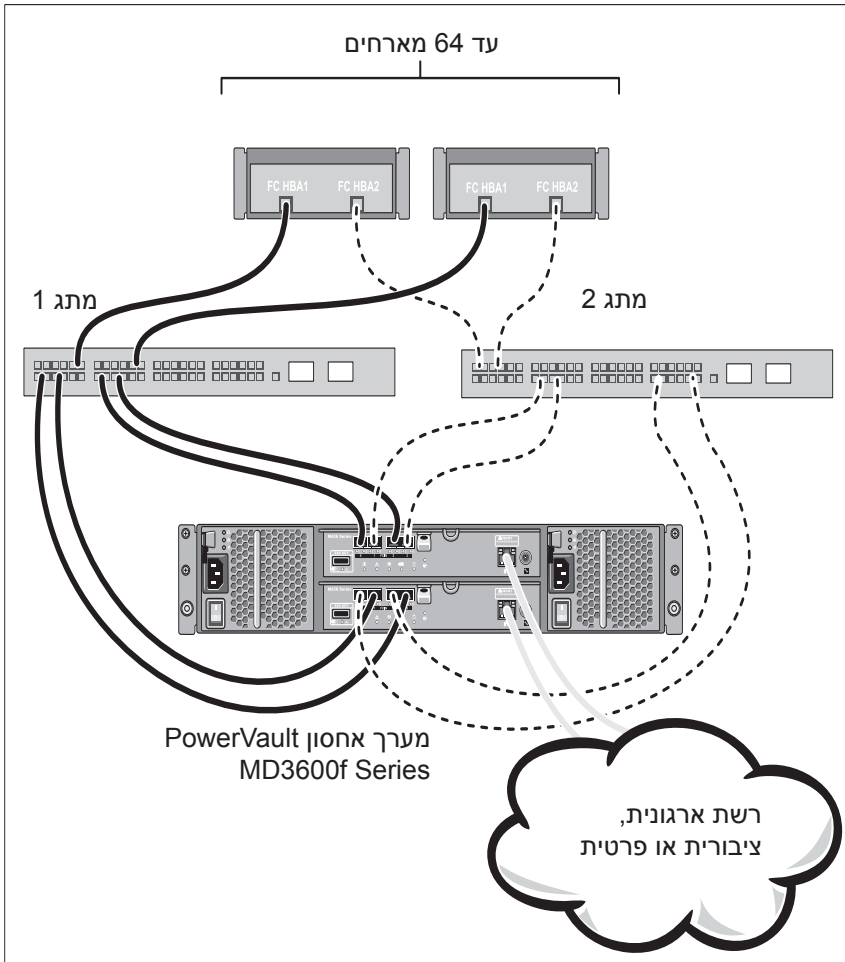


הרכב את המסילות והתקן את המערכת במעמד, תוך ביצוע הוראות הבטיחות והוראות התקנת המעמד המצורפות למערכת.

**הערה:**  כדי לאזן את עומס המשקל, מומלץ להתקין את מערך האחסון PowerVault MD3600f Series בחלק התחתון של המעמד ואת זיוודי ההרחבה PowerVault MD1200 Series מעליו.

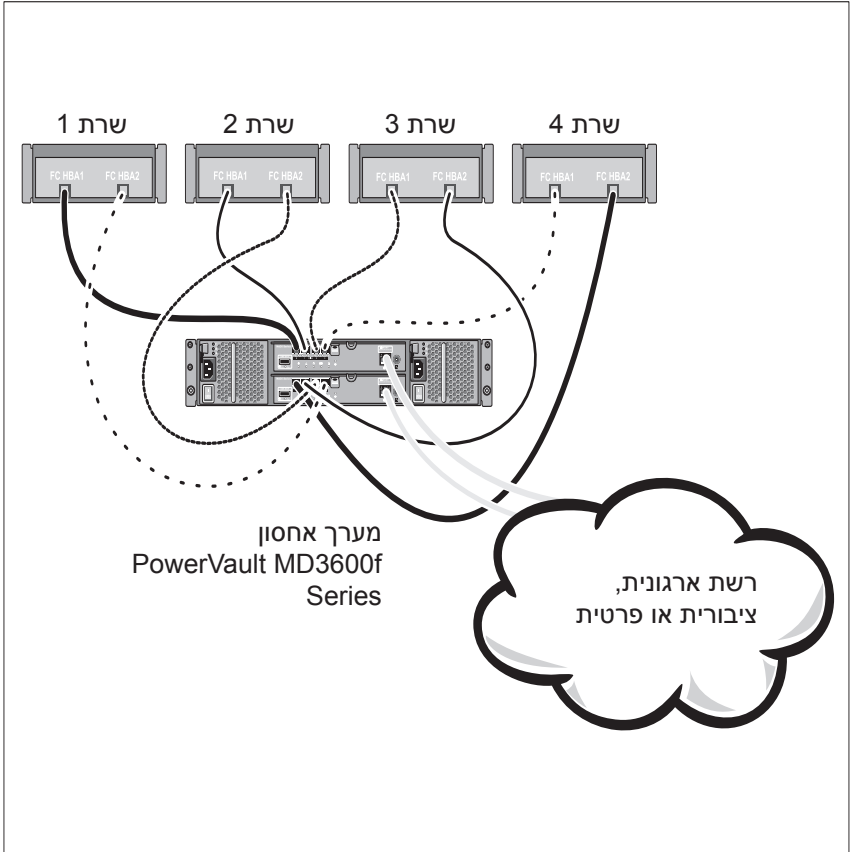
## חיווט המארחים המחוברים דרך SAN

האיור להלן מייצג מערכת יתירה. לדוגמה, מערכת המשמשת בסביבת שכפול מרחוק.




# תצורות נפוצות

## חיווט המארחים המחוברים ישירות




## תיעוד ומדיה נוספים שעשויים להידרש לך

 **אזהרה:** עיין במידע הבטיחות והתקינה המצורף למערכת שברשותך. מידע בנוגע לאחריות עשוי להיות כלול במסמך זה או כמסמך נפרד.

 **הערה:** כל מסמכי PowerVault MD3600f Series זמינים בכתובת [support.dell.com/manuals](https://support.dell.com/manuals).

- תיעוד המעמד המצורף לפתרון המעמד שברשותך מתאר את אופן התקנת המערכת במעמד.
- המדריך למשתמש מספק מידע אודות תכונות מערכת ומתאר כיצד לפתור בעיות במערכת וכן כיצד להתקין או להחליף רכיבי מערכת.
- מדריך הפריסה מספק מידע על התקנה וקביעת תצורה של תוכנה וחומרה.
- מדריך ה-CLI מספק מידע על שימוש בממשק שורת הפקודה (CLI) לקביעת התצורה ולניהול מערך האחסון.
- המדריך למתכנת SMI-S מספק מידע על השימוש בספק ה-SMI-S ובתכנות SMI-S.
- כל מדיה המצורפת למערכת המספקת תיעוד וכלים לקביעת תצורה וניהול של המערכת, כולל אלה השייכים למערכת ההפעלה, תוכנת ניהול המערכת, עדכוני מערכת ורכיבי מערכת שרכשת עם המערכת.

 **הערה:** בדוק תמיד עדכונים באתר [support.dell.com/manuals](https://support.dell.com/manuals) וקרא את העדכונים תחילה, מכיוון שפעמים רבות הם מחליפים מידע במסמכים אחרים.

## מערכות הפעלה נתמכות

- Microsoft Windows Server
- Red Hat Enterprise Linux
- SUSE Linux Enterprise Server
- VMware

 **הערה:** לקבלת המידע העדכני ביותר על כל הגרסאות של מערכות ההפעלה הנתמכות, ראה *Support Matrix* (מטריצת תמיכה) באתר [support.dell.com/manuals](https://support.dell.com/manuals).



## הנחיות לשימוש בכבלי סיבים אופטיים

- אין לנתב את הכבל לאורך זרוע לקיפול כבלים.
- עבור התקנים המותקנים על מסילות מחלקות, יש להשאיר חלק רפוי גדול מספיק בכבלים כך שלא יתכופפו לקוטר קטן מ- 76 מ"מ או לרדיוס קטן מ- 38 מ"מ, בעת הפתיחה או ייתפסו בסגירה.
- נתב את הכבל הרחק ממקומות שבהם הוא עלול להיפגע מהתקנים אחרים בארון המעמד.
- אין להשתמש באזיקוני פלסטיק במקום ברצועות ההידוק לכבלים המצורפות.
- אין להדק יתר על המידה את רצועות ההידוק או לכופף את הכבלים לקוטר קטן מ- 76 מ"מ או רדיוס קטן מ- 38 מ"מ.
- אין להניח משקל חורג על הכבל בנקודת החיבור. ודא שהכבל נתמך כהלכה.

## הנחיות לשימוש במודולי SFP

- מערך האחסון מחייב מודולי SFP. מודולי SFP ממירים אותות חשמליים לאותות אופטיים שנדרשים עבור שידור FC אל וממודולי בקר RAID. לאחר התקנת מודולי ה-SFP, כבלי סיבים אופטיים משמשים לחיבור מערך האחסון להתקני FC אחרים. לפני התקנה של מודולי SFP וכבלי סיבים אופטיים, קרא את המידע הבא:
- השתמש רק במודולי SFP שנתמכים על-ידי Dell עם מערכי האחסון PowerVault MD3600f Series. מודולי SFP גנריים אחרים אינם נתמכים ועלולים שלא לעבוד עם מערכי האחסון.
  - בית מודול ה-SFP כולל תבנית הנחיה אינטגרלית שמיועדת למנוע הכנסה של מודול ה-SFP בצורה שגויה.
  - השתמש בלחץ מזערי בעת הכנסה של מודול SFP לתוך יציאת FC. הכנסה בכוח של מודול SFP לתוך יציאה עלולה לגרום נזק למודול ה-SFP או ליציאה.
  - ניתן להתקין או להסיר את מודול ה-SFP כאשר היציאה מקבלת אספקת חשמל.
  - יש להתקין את מודול ה-SFP ביציאה, לפני חיבור כבל הסיבים האופטיים.
  - יש להסיר את כבל הסיבים האופטיים ממודול ה-SFP, לפני הסרת מודול ה-SFP מהיציאה.
- התראה:** בעת טיפול בהתקנים הרגישים לחשמל סטטי, נקוט אמצעי זהירות כדי למנוע פגיעה במוצר עקב חשמל סטטי. 

## לפני שתתחיל

**הערה:** לאורך המסמך, מערך האחסון Dell PowerVault MD3600f Series מתייחס הן ל- Dell PowerVault MD3620f והן ל- Dell PowerVault MD1200 Series והן ל- Dell PowerVault MD1220. זיוד ההרחבה Dell PowerVault MD1200 Series מתייחס הן ל- Dell PowerVault MD1200.

לפני הגדרת מערך האחסון PowerVault MD3600f Series, עליך לקחת בחשבון נהלי עבודה מיטביים מסוימים כדי להבטיח שמערך האחסון יפעל ביעילות מרבית ויציע יתירות מלאה (אם נדרש).

- כדי לאפשר יתירות, יש לחבר שני מתאמי אפיק מארח (HBA) מסוג Fibre Channel (FC) מהמערכת המארחת למערך האחסון. אם לא נדרשת יתירות, רק FC HBA אחד מחובר למערך האחסון. עיין ב- *Support Matrix* (מטריצת תמיכה) לקבלת רשימה של מתאמי HBA נתמכים, ובקביעת תצורה של *Fibre Channel עם מערך האחסון Dell MD3600f Series* לקבלת מידע על התקנת מנהלי התקנים של HBA. ניתן להוריד את שני המסמכים באתר [support.dell.com/manuals](http://support.dell.com/manuals).
- לפני חיבור כבלים כלשהם בין השרת המארח ומערך האחסון, סמן פיזית כל יציאה ומחבר.
- בצע תמיד הליכי הפעלה וכיבוי מתאימים, בעת ביצוע מחזור הפעלה ברשת. כמו כן, עליך להקפיד לחבר רכיבי רשת קריטיים למעגלים חשמליים נפרדים.




### עבודה עם מודולי SFP וכבלי סיבים אופטיים

**הערה:** מודולי SFP+ נתמכים עבור חיבורי 8 GB Fibre Channel. מסמך זה מתייחס אל SFP בצורה גנרית.

בכל בקר אחסון יכולות להיות עד ארבע יציאות מארח FC. מודול Small-Form-Factor Pluggable (SFP) משמש לחיבור יציאת מארח למתג. מודול ה- SFP מוכנס לתוך היציאה ולאחר מכן כבל סיבים אופטיים מחובר למודול ה- SFP. הקצה השני של כבל הסיבים האופטיים מחובר למחבר ממשק אופטי ב- FC HBA במארח או במתג. מודולי SFP הם מוצרי לייזר.

**אזהרה:** סביבות עיבוד נתונים יכולות להכיל ציוד המשדר בקישורי מערכות עם מודולי לייזר, הפועלים ברמות הספק גבוהות מ- Class 1. לעולם אין להביט לתוך קצה כבל סיבים אופטיים או שקע פתוח. 

## הערות, התראות ואזהרות

-  **הערה:** "הערה" מציינת מידע חשוב המסייע להשתמש במחשב ביתר יעילות.
-  **התראה:** "התראה" מציינת נזק אפשרי לחומרה או אובדן נתונים, במקרה של אי ציות להוראות.
-  **אזהרה:** "אזהרה" מציינת אפשרות של נזק לרכוש, פגיעה גופנית או מוות.

---

המידע בפרסום זה עשוי להשתנות ללא הודעה.  
© 2011 Dell Inc. כל הזכויות שמורות.

חל איסור מוחלט על העתקה מכל סוג של חומרים אלה ללא הרשאה בכתב מ-Dell Inc. סימנים מסחריים שבשימוש בטקסט זה: Dell™, הלוגו DELL ו- PowerVault™ הם סימנים מסחריים של Dell Inc. ו- Microsoft® Windows Server הם סימנים מסחריים או סימנים מסחריים רשומים של Microsoft Corporation בארצות הברית ו/או במדינות אחרות. Red Hat® ו- Red Hat Enterprise Linux® הם סימנים מסחריים רשומים של Red Hat, Inc. בארצות הברית ובמדינות אחרות. SUSE® הוא סימן מסחרי רשום של Novell, Inc. בארצות הברית ובמדינות אחרות. VMware® הוא סימן מסחרי רשום של VMware, Inc. בארצות הברית ו/או בתחומי שיפוט אחרים.

ייתכן שייעשה שימוש בסימנים מסחריים ובשמות מסחריים אחרים בפרסום זה כדי להתייחס לישויות הטוענות לבעלות על הסימנים והשמות, או למוצרים שלהן. Dell Inc מוותרת על כל חלק קנייני בסימנים מסחריים ושמות מסחריים פרט לאלה שבבעלותה.

סדרת דגם תקינה E03J ו- E04J

08 - 2011 מספר חלק NKX4V מהדורה A02

מערכי אחסון  
Dell PowerVault  
MD3620f -ו- MD3600f  
**תחילת עבודה עם  
המערכת**





Printed in Poland.  
Vytisěeno v Polsku.  
Imprimé en Pologne.  
Gedruckt in Polen.  
Εκτύπωση στην Πολωνία.  
Wydrukowano w Polsce.  
Напечатано в Польше.  
Impreso en Polonia.  
Polonyá'da basýlmáýtýr.  
הודפס בפולין

[www.dell.com](http://www.dell.com) | [support.dell.com](http://support.dell.com)



ONKX4VA02